

## 1843 CARSON CITY SERIES

## SPECIFICATIONS

**GENERAL**

The 1843 Carson City series is large scale, traditionally styled colonial fixture featuring a tapered four-sided cage and roof. The four-paneled roof shall be appointed with a decorative cast aluminum finial.

**FITTER**

The fitter or base shall be heavy wall cast aluminum, 319 alloy for high tensile strength. It shall have an inside diameter opening to accept a 3" diameter pole or tenon. When ordered with a Sternberg aluminum pole, the fitter shall be set screwed to the pole top or tenon.

**BALLAST HOUSING**

The ballast housing shall be heavy wall cast aluminum, 319 alloy for high tensile strength. The housing shall be mounted cast in one piece to the fitter to ensure a water-tight compartment. The ballast shall be attached to the ballast housing to ensure high capacity heat sinking of ballast temperatures, keeping the ballast cooler and ensuring long life. The ballast shall be mounted on a pull out door for easy ballast maintenance.

**ELECTRICAL**

Fixture shall be U.L. or E.T.L. listed. H.I.D. ballasts shall be high power factor with lamp starting down to -30 degrees C. Medium base and mogul base porcelain sockets are 4KV rated. The ballast / socket assembly shall be pre-wired when ballast is located in the fixture. All compact fluorescent (PL) ballasts shall be instant start electronic with a starting temperature of down to -10 degrees F. They shall have a 4-pin socket to accept quad or triple tube lamps.

**FIXTURE HOUSING**

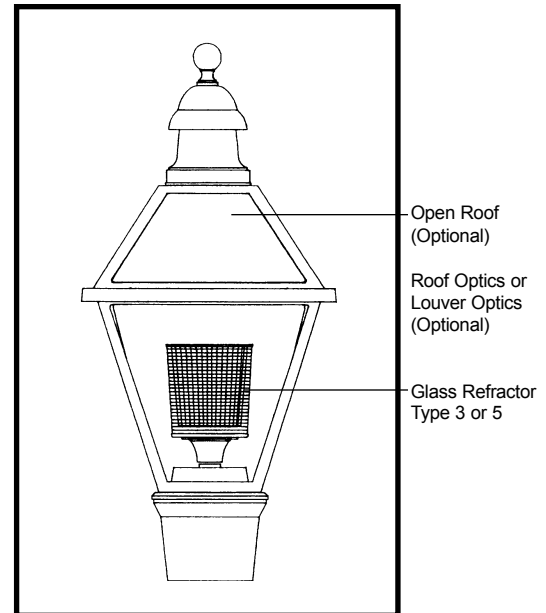
The fixture shall be 18" wide and the overall height shall be 41". It shall be made of heavy wall cast aluminum, 319 alloy and lenses will be made of vandal resistant acrylic, available in clear (CA), clear seeded (CSA), clear textured (CTA), prismatic (PA), and white (WA) acrylic. The 1843 fixture features a closed recessed panel roof with cupola and cast ball finial. The 1843BE fixture features a cupola with brass eagle. The 1843TF fixture features a cast decorative tall finial. The 1843-O is an open roof design with lensed panels which allow uplight.

**OPTICAL OPTIONS**

Refractors shall be 6" diameter borosilicate glass with an I.E.S. Type 3 (RE3G) or Type 5 (RE5G) distribution. It shall be secured to the socket stem with  $\frac{3}{8}$ " plated steel threaded pipe nipple and rest on a cast aluminum holder with anti-shock gasket. The refractor will be secured to cast holder with a quarter-turn internal aluminum twist ring for ease of maintenance.

The NIGHTSKY™ OPTI-SHIELD™ Louver Optic System (LO or LO-S) shall be a multi-tier reflector with 7" diameter rings to produce an I.E.S. cut-off Type 3 or 5 distribution. The Louver Optic System shall be made of highly specular anodized aluminum and shall come standard with medium base socket.

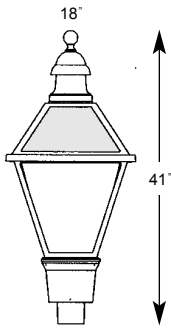
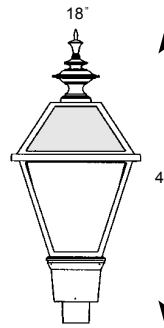
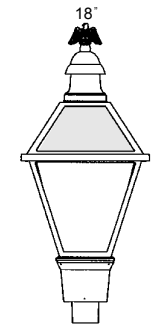
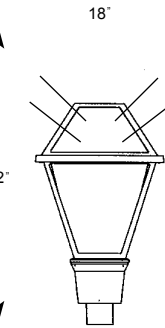

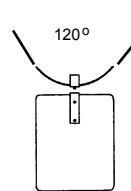
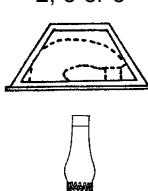
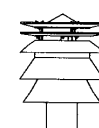
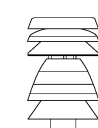

NIGHTSKY™ STAR-SHIELD™ Roof Optics distribution shall be delivered by multi-segmented roof mounted reflector systems which eliminate uplight and provide cut-off. The reflector cavity shall be made of specular anodized aluminum. Roof Optics Type 3 (RO3H-S) or Type 5 (RO5H-S) horizontal are available for medium base lamps.



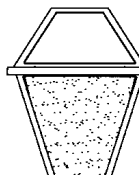
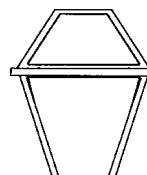
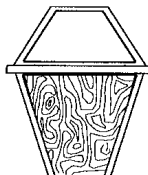
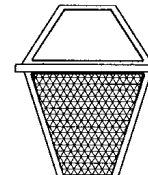
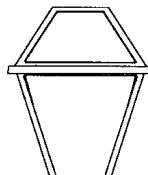
**1843 CARSON CITY**

**FIXTURES/ARMS PM-WB**

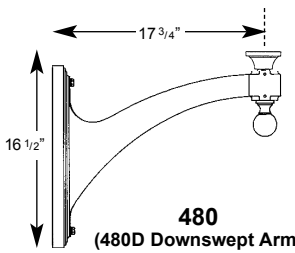
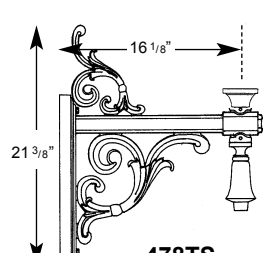
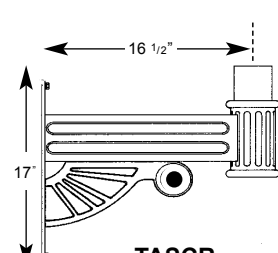
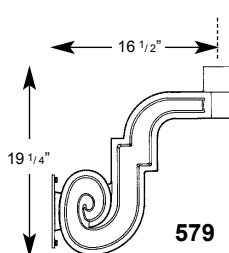
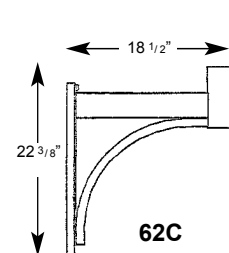
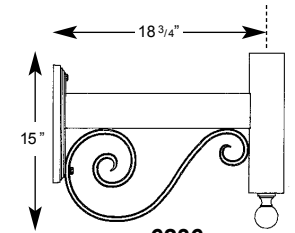
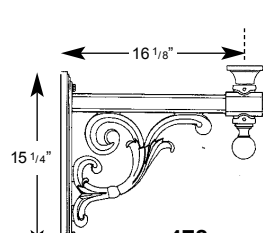
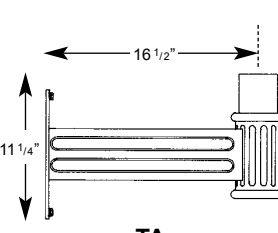
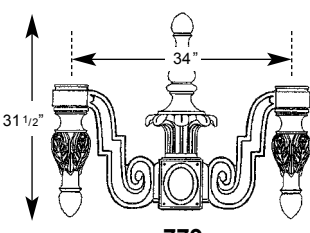
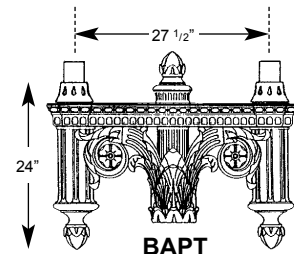
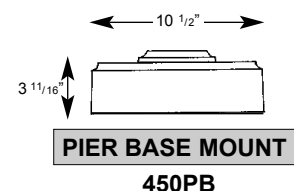
**FIXTURES / OPTICAL SYSTEMS**

 <p>18" 41"</p>	 <p>18" 41"</p>	 <p>18" 42"</p>	 <p>18" 31 1/4"</p>	<p><b>Alzak Disc</b></p> 	<p><b>HSS</b> House Side Shield</p> 	<p><b>ROH</b> Roof Optics 2, 3 or 5</p> 	<p><b>FC</b> Frosted Chimney</p> 	<p><b>LO3-S</b> <b>LO5-S</b> Louver Optics</p> 	<p><b>LO3</b> <b>LO5</b> Louver Optics</p> 
<p><b>1843</b> Solid Roof</p>	<p><b>1843TF</b> Solid Roof Tall Finial</p>	<p><b>1843BE</b> Solid Roof Brass Eagle Finial</p>	<p><b>1843O</b> Open Roof Option</p>	<p><b>RE3G</b> <b>RE5G</b> Refractor</p>	<p><b>HSS</b> House Side Shield</p>	<p><b>FC</b> Frosted Chimney</p>	<p><b>LO3-S</b> <b>LO5-S</b> Louver Optics</p>	<p><b>LO3</b> <b>LO5</b> Louver Optics</p>	

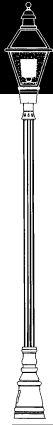
**LENSES**

				
<p><b>CSA</b> Clear Seeded Acrylic</p>	<p><b>CA</b> Clear Acrylic</p>	<p><b>CTA</b> Clear Textured Acrylic</p>	<p><b>PA</b> Prismatic Acrylic</p>	<p><b>WA</b> White Acrylic</p>

**ARMS - POST MOUNT (PM) or WALL BRACKETS (WB)** See Arms Section for more information

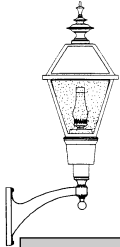
 <p>17 3/4" 16 1/2"</p> <p><b>480</b> (480D Downswept Arm)</p>	 <p>16 1/8" 21 3/8"</p> <p><b>478TS</b></p>	 <p>16 1/2" 17"</p> <p><b>TASCR</b></p>	 <p>16 1/2" 19 1/4"</p> <p><b>579</b></p>	 <p>18 1/2" 22 3/8"</p> <p><b>62C</b></p>
 <p>18 3/4" 15"</p> <p><b>6236</b></p>	 <p>16 1/8" 15 1/4"</p> <p><b>478</b></p>	 <p>16 1/2" 11 1/4"</p> <p><b>TA</b></p>	 <p>34" 31 1/2"</p> <p><b>779</b></p>	
 <p>27 1/2" 24"</p> <p><b>BAPT</b></p>			 <p>10 1/2" 3 11/16"</p> <p><b>PIER BASE MOUNT</b> <b>450PB</b></p>	

# BUILDING A PART NUMBER



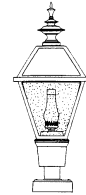
## POST & ARM FIXTURES

ARM MOUNTED FIXTURE		CENTER POST TOP FIXTURE (PT)		POST	POST CAP	LIGHT SOURCE BALLAST	OPTICS	LENS	OPTIONS	FINISH
NO. OF ARMS	FIXTURE/POSTARM	ACORN / FITTER	(See Post Section)			WATTS / TYPE / VOLTS				
		1843	PT	3610FP4		100 HPS120	RE3G	CSA	HPS100/MED	BK



## WALL FIXTURES

FIXTURE/WALLBRACKET	WATTS/TYPE/VOLTS	LIGHT SOURCE BALLAST	OPTICS	LENS	OPTIONS	FINISH
1843TF/480WB	100 HPS120		RO3/FHC	CSA	PEC1	BK



**PIER BASE**  
Uses same information boxes as wall fixture

1843TF/450PB

FIXTURE / PIER MOUNT

## PART NUMBER SELECTIONS

### FIXTURES

- 1843
- 1843BE
- 1843TF
- 1843-O
- 1843-OBE
- 1843-OTF

### OPTICS

- RE3G
- RE5G
- LO3-S<sup>5</sup>
- LO5-S<sup>5</sup>
- LO3<sup>6</sup>
- LO5<sup>6</sup>
- HSS
- ALZAK
- RO2-S<sup>5</sup>
- RO3-S<sup>5</sup>
- RO5-S<sup>5</sup>
- FHC<sup>4</sup>

### POST ARMS

- 478PM
- 478TSPM
- 480PM
- 480DPM
- 62CPM
- 6236PM
- 579PT
- TAPT
- TASCRC
- BAPT
- 779PT

### VOLTAGES

- 120
- 208
- 240
- 277
- 480
- MULTI (120-277)

### WALL BRACKET ARMS

- 478WB
- 478TSWB
- 480WB
- 480DWB
- 62CWB
- 6236WB
- 579WB
- TAWB
- TASCRCWB

### PIER MOUNT

- 450PB

### LENSES

- CSA
- CA
- CTA
- PA
- WA

### BALLASTS

- 35HPS<sup>1</sup>
- 50HPS<sup>2</sup>
- 70HPS
- 100HPS
- 150HPS
- 200HPS
- 250HPS
- 50MH
- 70MH
- 100MH
- 150MH
- 175MH
- 250MH
- 26PLT<sup>1</sup>
- 32PLT<sup>1</sup>
- 42PLT<sup>1</sup>
- INCAND
- QL55\*
- QL85\*

\*Consult factory for specification details

### LAMPS<sup>3</sup>

- HPS35/MED
- HPS50/MED
- HPS70/MED
- HPS100/MED
- HPS150/MED
- HPS250/MOG/ED18
- MH50/MED
- MH70/MED
- MH100/MED
- MH150/MED
- MH175/MED
- MH250/MOG/ED28
- PLT26
- PLT32
- PLT42

### OPTIONS

- PEC1 Photocell-Bimetal 120 Volt
- PEC2 Photocell-Bimetal 208-277 Volt
- PEC1-E Photocell-Electronic 120 Volt
- PEC2-E Photocell-Electronic 208-277 Volt
- FHS Single Fuse and Holder-120,277 Volt
- FHD Dual Fuse and Holder-208,240,480 Volt
- QR Quartz Re-Strike
- PF Pineapple Finial or Font (TA, TASCRC)
- BF Ball Finial or Font (TA, TASCRC)
- LAMPS Select from list

### FINISHES STANDARD

- BK Black
- VG Verde Green
- PG Park Green
- ABZ Arch Med Bronze
- SI Swedish Iron
- DB Dark Bronze

### FINISHES CUSTOM

- WH White
- RT Rust
- CM Custom Match
- OI Old Iron
- TT Two Tone

### NOTES:

- <sup>1</sup>35HPS is 120 volt only.
- <sup>2</sup>50HPS available as 120 or 277 volt only. Others are special order.
- <sup>3</sup>Standard is clear, for coated HID lamps add C (MH70/C/MED). Medium base sockets standard with ballasts up to 175 watts. Mogul base sockets are standard with ballasts 200 watts and over.
- Mercury vapor ballasts and induction lamp systems are available.
- <sup>4</sup>MED base only when used to house lamp.
- <sup>5</sup>Medium base lamp only.
- <sup>6</sup>Choice of 3 Models: Medium base for HPS or MH (ED17 only). Or mogul base for HPS (ED18 only). Or mogul base for MH (ED28 only).

## 1843 CARSON CITY SERIES

## SPECIFICATIONS

**LIST NO. 1843 CARSON CITY SERIES** **Frosted Glass Hurricane Chimney (FHC)** is an optic option which adds an authentic touch and can be used with Roof Optics.

**House Side Shield (HSS)** is an option which will block up to 120° of light in any one direction.

**3-Light (3L)** candelabra set is an option for incandescent application.

#### QUARTZ RE-STRIKE

The 1843 fixture can be supplied with an optional quartz re-strike system to retain constant fixture light if the H.I.D. lamp fails. The fixture will be equipped with a 100 watt quartz lamp and a controller to run on a 120 volt circuit and must be used in conjunction with a 120 volt or multi-tap ballast.

#### PHOTOCELLS

Photocells shall be either the thermo bi-metal button type or the electronic button type. On single post top fixtures the photocell shall be mounted in the fitter and pre-wired to ballast. On multiple head fixture assemblies photocells shall be mounted in the pole shaft on an access plate and are not pre-wired as ballast housing assemblies and fitters are packaged separately for ease of wiring to source. The thermo bi-metal photocell shall be designed to turn on at 1.0 footcandle and turn off at not more than 5 footcandles. The electronic button type photocell is instant on and a 5-10 second turn off and shall turn on at 1.5 footcandles with a turn-off at 2-3 footcandles. Photocells are either 120 volt or 208 thru 277 volt.

#### ARMS

All arms are made of cast aluminum and/or extruded aluminum. Arms with decorative filigree have meticulously detailed scroll work and gracefully curved brackets. All 1843 fixtures will have its fitter either welded to the arm or will be mechanically attached at the factory to ensure arms will be plumb, secure and level over the life of the installation. Each arm shall be bolted to a post mount adapter, which is welded to the pole to ensure proper alignment to the base. BA, TA, 579, and 779 arms will be attached to a decorative center hub which will slip fit the center tenon of the pole. Arms are pre-wired for ease of installation.

#### FINISH

Prior to coating, each assembly shall be chemically cleaned and etched in a 5-stage washing system which includes alkaline cleaning, rinsing, phosphoric etching, reverse osmosis water rinsing, and non-chrome sealing to ensure corrosion resistance and excellent adhesion for the finish coating. The finish coating shall be electrostatically applied semi-gloss, super durable polyester powder baked at 400 degrees for a durable and superior, color retentive finish. Our optional antique Verde Green finish and Swedish Iron finish are hand brushed using a 3-step process. The total assembly shall be wrapped in shockproof wrapping or fully enclosed in corrugated cartons.

#### WARRANTY

Five-year limited warranty. See product and finish warranty guide for details.

