

**E250 / E260 / LED EURO SERIES****SPECIFICATIONS****LUMINAIRE DESIGN**

- The luminaire shall be a small scale, architectural design fixture provided with LED light sources and roof mounted, down-lighting optics.
- The luminaire shall be 13" diameter and 19" overall height.
- The luminaire shall be made of 360 alloy, die-cast aluminum.
- The luminaire shall be UL or ETL listed in U.S. and Canada.

**POST FITTER**

- The fitter shall be heavy wall, 356 alloy, cast aluminum for high tensile strength.
- The fitter shall have an inside diameter opening of 4" when arm mounted and 5" when post mounted.
- The fitter shall secure to the pole or tenon with set-screws.

**DRIVER**

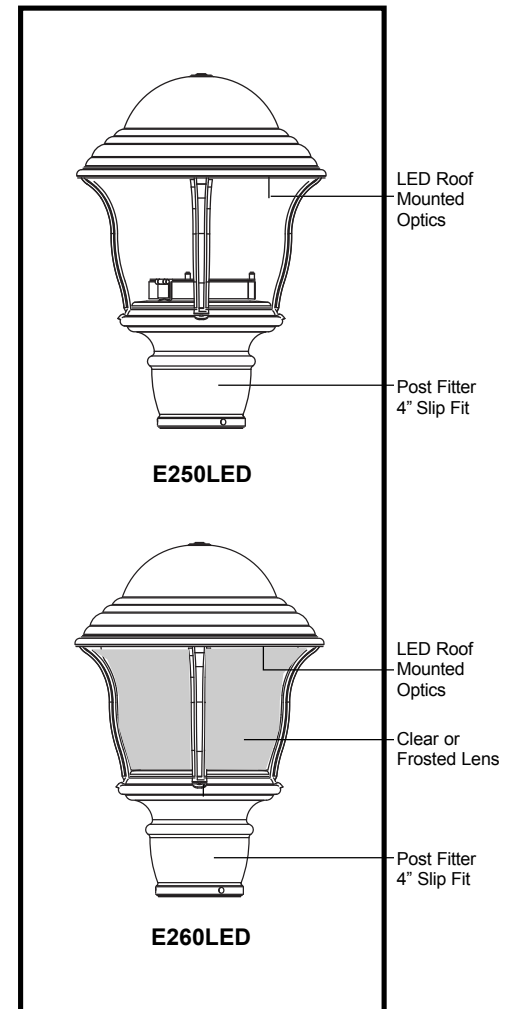
- The LED driver shall be securely mounted inside the fitter, for optimized driver performance and longevity.
- The LED driver shall be supplied with a quick-disconnect electrical connector on the power supply, providing easy power connections and fixture installation.

**LIGHT SOURCES**

- The luminaire shall use high output, high brightness LEDs.
- The LEDs shall be mounted in arrays, on printed circuit boards designed to maximize heat transfer to the heat sink surface.
- The LEDs shall be attached to the printed circuit board with not less than 90% pure silver to insure optimal electrical and thermal conductivity.
- The LEDs and printed circuit boards shall be protected from moisture and corrosion by a conformal coating of 1 to 3 mils.
- The LEDs and printed circuit board construction shall be environmentally friendly and 100% recyclable. They shall not contain lead, mercury or any other hazardous substances and shall be RoHS compliant.
- The LED life rating data shall be determined in accordance with IESNA LM-80-08.

**OPTICS**

- The luminaire shall be provided with individual acrylic refractor, type optics applied to each LED.
- The luminaire shall provide Type \_\_\_\_\_ (III or V) light distribution per the classifications. Testing will be done in accordance with IESNA LM-79-08.
- E260 Only. The luminaire shall have a \_\_\_\_\_ (clear or frosted) tapered, injection molded acrylic, impact resistant, cylindrical lens.



**E250 / E260 / LED EURO SERIES**

**SPECIFICATIONS**

**LIST NO.  
E250/E260/  
LED EURO  
SERIES**

**PERFORMANCE**

- The LED arrays are built in series-parallel circuits which maintain overall light output in the event of single LED failures.
- The LEDs and LED driver shall operate over a -40°C (-40°F) to +50°C (122°F) ambient air temperature range.
- The High Performance white LEDs will have a life expectancy of approximately 70,000 hours with not less than 70% of original brightness (lumen maintenance), rated at 25°C ambient.
- The High Brightness, High Output LEDs shall be 4500K (3500K or 6000K option) color temperature with a minimum of 75 CRI.
- The luminaire shall have a minimum \_\_\_\_\_ (see table) delivered initial lumen rating when operated at steady state with an average ambient temperature of 25°C (77°F).

| Model            | Initial Delivered Lumens | Fixture Watts | Model              | Initial Delivered Lumens | Fixture Watts | Model              | Initial Delivered Lumens | Fixture Watts |
|------------------|--------------------------|---------------|--------------------|--------------------------|---------------|--------------------|--------------------------|---------------|
| E250LED-3ARC60T5 | 3040                     | 49.5          | E260LEDCA-3ARC60T5 | 2790                     | 49.5          | E260LEDFA-3ARC60T5 | 2780                     | 49.5          |
| E250LED-3ARC45T5 | 2500                     | 49.5          | E260LEDCA-3ARC45T5 | 2250                     | 49.5          | E260LEDFA-3ARC45T5 | 2240                     | 49.5          |
| E250LED-3ARC35T5 | 2210                     | 49.5          | E260LEDCA-3ARC35T5 | 1960                     | 49.5          | E260LEDFA-3ARC35T5 | 1940                     | 49.5          |
| E250LED-3ARC60T3 | 2790                     | 49.5          | E260LEDCA-3ARC60T3 | 2520                     | 49.5          | E260LEDFA-3ARC60T3 | 2510                     | 49.5          |
| E250LED-3ARC45T3 | 2250                     | 49.5          | E260LEDCA-3ARC45T3 | 1980                     | 49.5          | E260LEDFA-3ARC45T3 | 1970                     | 49.5          |
| E250LED-3ARC35T3 | 1960                     | 49.5          | E260LEDCA-3ARC35T3 | 1690                     | 49.5          | E260LEDFA-3ARC35T3 | 1670                     | 49.5          |
| E250LED-1RND60T5 | 1830                     | 31            | E260LEDCA-1RND60T5 | 1690                     | 31            | E260LEDFA-1RND60T5 | 1690                     | 31            |
| E250LED-1RND45T5 | 1500                     | 31            | E260LEDCA-1RND45T5 | 1360                     | 31            | E260LEDFA-1RND45T5 | 1360                     | 31            |
| E250LED-1RND35T5 | 1320                     | 31            | E260LEDCA-1RND35T5 | 1170                     | 31            | E260LEDFA-1RND35T5 | 1170                     | 31            |
| E250LED-1RND60T3 | 1740                     | 31            | E260LEDCA-1RND60T3 | 1570                     | 31            | E260LEDFA-1RND60T3 | 1510                     | 31            |
| E250LED-1RND45T3 | 1410                     | 31            | E260LEDCA-1RND45T3 | 1230                     | 31            | E260LEDFA-1RND45T3 | 1170                     | 31            |
| E250LED-1RND35T3 | 1230                     | 31            | E260LEDCA-1RND35T3 | 1040                     | 31            | E260LEDFA-1RND35T3 | 980                      | 31            |

**ELECTRONIC DRIVERS**

- The driver shall be UL or ETL listed in U.S. and Canada.
- The driver shall have overload as well as short circuit protection.
- The driver shall pass the IEC61000-4-5 lightning test and isolate the LED's from power line transients.
- The driver shall be a DC voltage output, current limiting design, 50/60HZ.

**For 3ARC Light Sources**

- The driver shall have a minimum efficiency of 90%.
- The driver shall be rated at full load with THD<20% and a power factor of greater than 0.90.
- The driver shall contain over-heat protection which reduces output to less than half rating if the case temperature reaches 85°C.
- The driver shall have a universal 120 thru 277 AC input range.

**For 1RND Light Sources**

- The driver shall have a minimum efficiency of 85%.
- The driver shall have a universal 100 thru 264 AC input range.

**E250 / E260 / LED EURO SERIES****SPECIFICATIONS**

LIST NO.  
E250 / E260 /  
LED EURO  
SERIES

**PHOTOCELLS****Bi - Metal Cell Option**

- Photocells shall be thermo bi-metal button type.
- Photocells shall be mounted in the pole shaft, on an access plate.
- Photocell is not pre-wired since drivers are mounted in the fitter and packaged separately.
- The photocell shall turn on at 1.0 foot-candle and turn off at not more than 5 foot-candles.
- The photocell is 120V or 208-277 volt.

**Electronic Cell Option**

- Photocells shall be electronic button type.
- Photocells shall be mounted in the pole shaft, on an access plate.
- Photocell is not pre-wired since drivers are mounted in the fitter and packaged separately.
- The photocell is instant-on at 1.5 foot-candles and turns off 5-10 seconds at 2-3 foot-candles.
- The photocell is 120V or 208-277 volt.

**ARMS**

- The arm construction shall be cast aluminum and / or extruded aluminum.
- Arms with decorative filigree shall have meticulously detailed scroll work and gracefully curved brackets.

**FINISH**

- Prior to coating, the luminaire shall be chemically cleaned and etched in a 5-stage washing system which includes alkaline cleaning, rinsing, phosphoric etching, reverse-osmosis water rinsing and non-chrome sealing to ensure corrosion resistance and excellent adhesion for the finish coat.
- The finish coat shall be an electrostatically applied semi-gloss, super durable polyester powder coat, baked on at 400° F, to provide a durable, color retentive finish.
- \*The \_\_\_\_\_ (Verde Green or Swedish Iron) finish shall be hand-brushed using a 3-step process. \*(OPTION)

**WARRANTY**

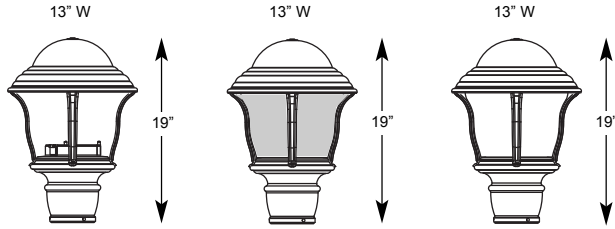
- The luminaire shall be free from all defects in materials and workmanship for a period of five (5) years from the date of manufacture.
- The luminaire manufacturer shall warrant the LED boards/system, during the stated warranty period, against failure defined as more than three (3) simultaneous non-operating LEDs.
- The driver shall be warranted for five (5) years.

**E250 / E260 / LED EURO**

**FIXTURES/FITTERS/ARMS PM-WB**

**FIXTURES**

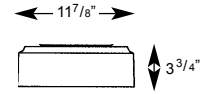
**PIER MOUNTS (PB)**



**E250LED**  
Roof LED  
Optics

**E260LEDCA**  
Full Diffuser  
Clear Acrylic

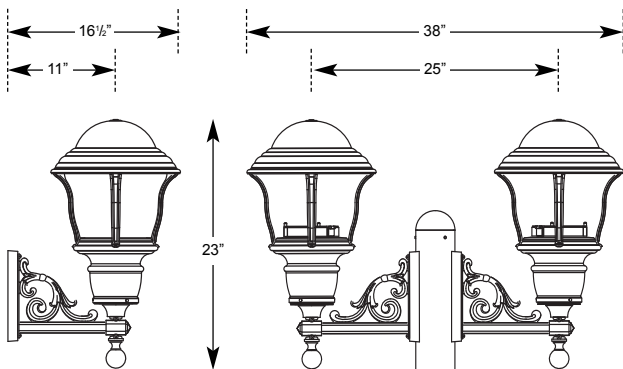
**E260LEDFA**  
Full Diffuser  
Frosted Acrylic



**450PB**

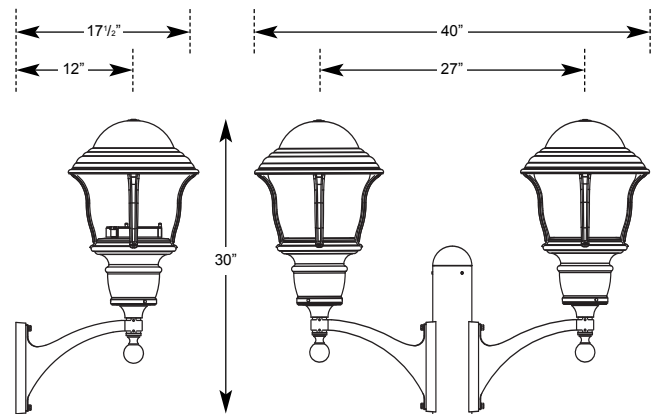
**ARMS - POST MOUNT or WALL BRACKETS (WB)**

See Arms Section for more information



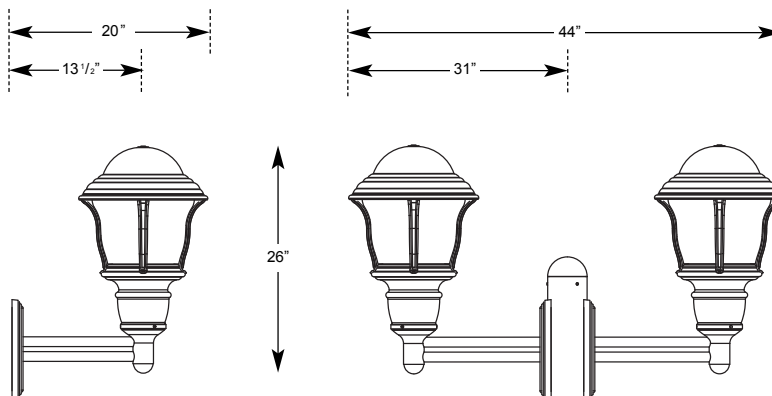
**78UWD**

**78UPM**  
Twin Shown



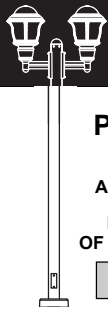
**80WB**

**80PM**  
Twin Shown



**EU1WB**  
**EU2WB**

**EU1 EU2PM**  
Twin Shown

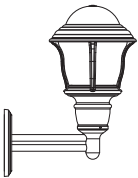


**BUILDING A PART NUMBER**

**POST & ARM FIXTURES**

|                     |                       |              |                    |              |          |        |
|---------------------|-----------------------|--------------|--------------------|--------------|----------|--------|
|                     | CENTER                |              |                    |              |          |        |
| ARM MOUNTED FIXTURE | POST TOP FIXTURE (PT) | POST         | POST CAP           | LIGHT SOURCE | OPTIONS  | FINISH |
| NO. OF ARMS         | FIXTURE / POSTARM     | FIXT./FITTER | (See Post Section) |              |          |        |
| 2                   | E250LED/EU2PM         | PT           | 450P48             | BC           | 3ARC45T5 | BKT    |

**WALL FIXTURES**



|                        |              |         |        |
|------------------------|--------------|---------|--------|
| FIXTURE / WALL BRACKET | LIGHT SOURCE | OPTIONS | FINISH |
| E260LEDFA/EU2WB        | 1RND45T3     |         | BKT    |



**PIER FIXTURES**  
 Uses same information boxes as wall fixture  
 E250LED/450PB  
 FIXTURE / PIER BASE

**PART NUMBER SELECTIONS**

**FIXTURES**

- E250LED
- E260LEDCA
- E260LEDFA

**POST ARMS**

- 78UPM
- 80PM
- EU2PM

**WALL BRACKET ARMS**

- 78UWB
- 80WB
- EU2WB

**PIER BASE**

- 450PB

**LIGHT SOURCES**

- 3ARC60T5  
42 LED, 6000K  
Type V Optics
- 3ARC45T5  
42 LED, 4500K  
Type V Optics
- 3ARC35T5  
42 LED, 3500K  
Type V Optics
- 3ARC60T3  
42 LED, 6000K  
Type III Optics
- 3ARC45T3  
42 LED, 4500K  
Type III Optics
- 3ARC35T3  
42 LED, 3500K  
Type III Optics

**LIGHT SOURCES (Cont'd)**

- 1RND60T5  
26 LED 6000K  
Type V Optics
- 1RND45T5  
26 LED, 4500K  
Type V Optics
- 1RND35T5  
26 LED, 3500K  
Type V Optics
- 1RND60T3  
26 LED, 6000K  
Type III Optics
- 1RND45T3  
26 LED, 4500K  
Type III Optics
- 1RND35T3  
26 LED, 3500K  
Type III Optics

**FINISHES STANDARD**

- BKT Black Textured
- BK Black
- VG Verde Green
- PGT Park Green Textured
- PG Park Green
- ABZT Architectural Medium Bronze Textured
- ABZ Architectural Medium Bronze
- SI Swedish Iron
- DBT Dark Bronze Textured
- DB Dark Bronze
- OWGT Old World Gray Textured
- OWG Old World Gray

**FINISHES CUSTOM**

- WHT White Textured
- WH White
- CV Copper Vein
- WBK Weathered Black
- WBR Weathered Brown
- CD Cedar
- RT Rust
- OI Old Iron
- TT Two Tone
- CM Custom Match

**OPTIONS**

- PEC1 Photocell-Bimetal 120 Volt
- PEC2 Photocell-Bimetal 208-277 Volt
- PEC1-E Photocell-Electronic 120 Volt
- PEC2-E Photocell-Electronic 208-277 Volt
- FHD Dual Fuse and Holder