



ASSA ABLOY

HOSPITALITY PRODUCTS

CONTENTS:

Adhesive Perimeter Gasketing 114
 Adhesive Astragal/Meeting Stile Seals 115
 Door Shoes..... 116
 Privacy Door Latch 116
 Automatic Door Bottoms..... 117
 Vinyl Thresholds..... 118-119
 Adjustable-Width Vinyl Thresholds..... 119
 Carpet Separators 120
 Acoustic Corner Pad 120
 Frame Attachment Bracket..... 120

INDEX:

<u>PRODUCT</u>	<u>PAGE</u>	<u>PRODUCT</u>	<u>PAGE</u>	<u>PRODUCT</u>	<u>PAGE</u>
174.....	120	2940SP.....	120	S772.....	115
236.....	120	4131.....	117	S773.....	114
411.....	117	ACP112.....	120	V232.....	118
2113.....	116	ADJ232V8.....	119	V2320.....	118
2170.....	116	ADJ232V14.....	119	V2322.....	119
2173.....	116	PDL.....	116	V2325.....	118
2343.....	116	S44.....	114	V2326.....	118
2364.....	120	S88.....	114		
2366.....	120	S771.....	115		



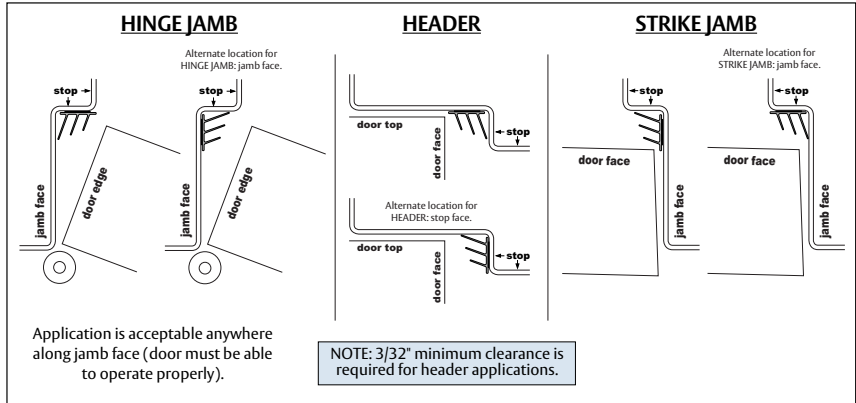
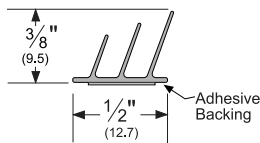
HOSPITALITY PRODUCTS

Adhesive Perimeter Gasketing

S773 Triple-Fin Adhesive-Backed Fire/Smoke Gasketing

- S773 adhesive perimeter seal is extruded from high-temperature silicone; effective between -58°F and 450°F.
- Triple-fin design effectively blocks light and sound from infiltrating a room.
- Tested and approved under UL10C for fire; UL 1784 for smoke and ASTM E90 and BS EN ISO 140-3 for sound control.
- Air infiltration tested in accordance with ASTM E-283-91. Air infiltration is only .09 CFM / ft of crack.
- During sound attenuation testing of the S773 adhesive perimeter seal in conjunction with Pemko automatic door bottom 411APKL and Pemko acoustic corner pad ACP112, the door assembly achieved a **98% efficiency rating**.

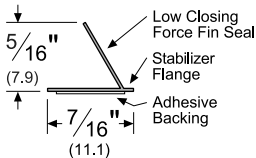
S773  **BHMA CERTIFIED**
 AVAILABLE FINISHES: D, GR, W
 AVAILABLE LENGTHS: 17', 18', 20', 21', 25'



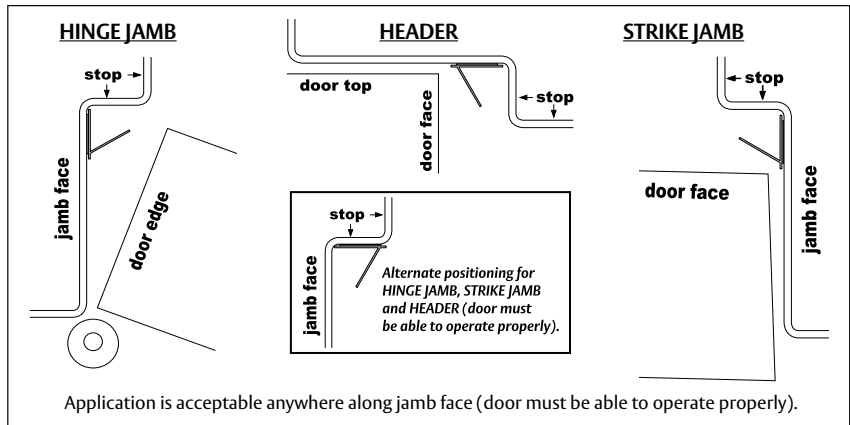
SiliconSeal™ Adhesive-Backed Fire/Smoke Gasketing


- Stays flexible, effective between -58°F and 450°F.
- Meets FAR 25.853 Airworthiness Standards for Compartment Interiors.
- Smoke tested in accordance with UBC 7-2 and UL 1784-90; meets the requirements of NFPA 105 "Standard for the Installation of Smoke Door Assemblies and Other Opening Protectives".
- S44, and S88 are air infiltration tested in accordance with ASTM E-283-91. Air infiltration is only .09 CFM / ft of crack.

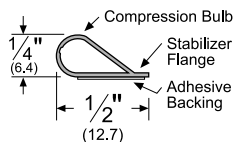
S44  **BHMA CERTIFIED**
 AVAILABLE FINISHES: BL, D, W
 AVAILABLE LENGTHS: 17', 18', 20', 21', 25', 510'



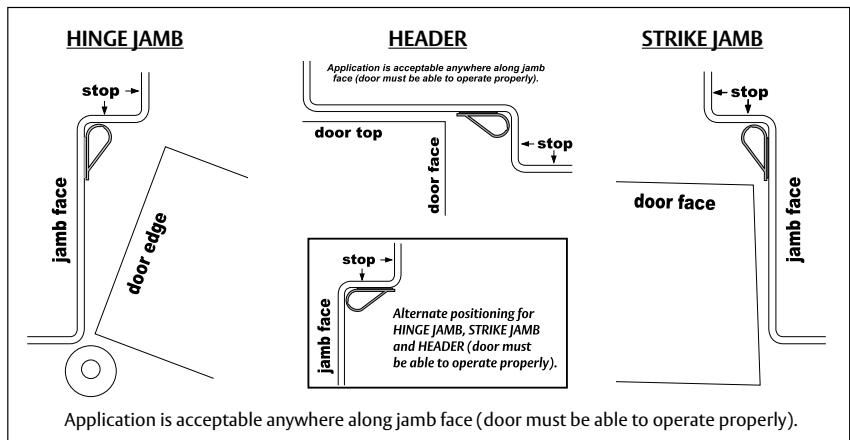
- Designed for tighter frames.
- Demonstrates extremely low closing force.
- Seal begins compressing at 5/16"; compresses to seal up to a 1/16" gap.



S88  **BHMA CERTIFIED**
 AVAILABLE FINISHES: BL, C, D, GR, TAN, W
 AVAILABLE LENGTHS: 17', 18', 20', 21', 25', 30', 204', 510'



- Seal begins compressing at 1/4"; compresses to seal up to a 1/16" gap.



▲ AVAILABLE FINISHES FOR PRODUCTS SHOWN ON THIS PAGE (see General Information section for finish chart)

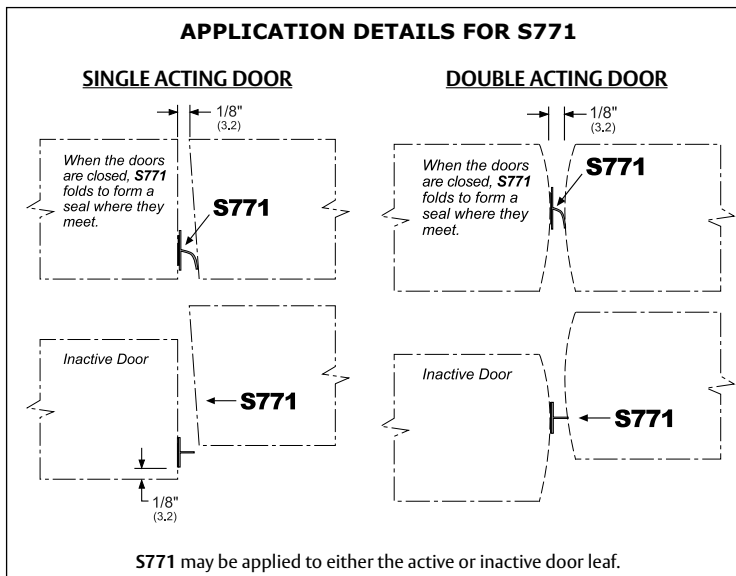
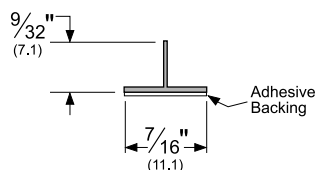
BL (Black) • C (Clear) • D (Dark Brown) • GR (Light Gray) • TAN (Tan) • W (White)

Adhesive Astragal/Meeting Stile Seals

- The S771 and S772 astragal/meeting stile seals can be installed on virtually any pair of doors where sound attenuation is required. These products seal the opening to prevent heat loss, retard the passage of smoke, and act as a weatherization product.
- Excellent resistance to compression set, particularly at elevated temperatures and for extended periods of time.
- Stays flexible between -58°F and 450°F with very high resistance to flex fatigue. Maintains a low closing force.
- Easy installation requires no mechanical fasteners; can be cut to size in the field.

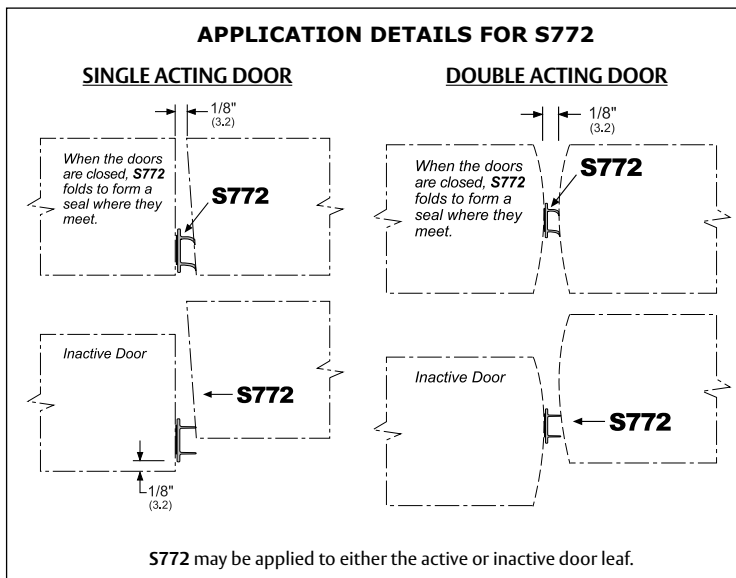
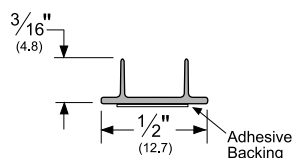
S771_

AVAILABLE FINISHES: C, D, W
AVAILABLE LENGTHS: 7', 8', 9', 10'



S772_

AVAILABLE FINISHES: D, W
AVAILABLE LENGTHS: 7', 8', 10'



NOTES FOR ALL ADHESIVE GASKETING:

Storage and shelf life: All adhesive gaskets have a limited shelf life. This product must be used within 6 months of purchase and must be stored between 50°F and 100°F.

For further notes/details, please see Adhesive Gasketing section.

▲ AVAILABLE FINISHES FOR PRODUCTS SHOWN ON THIS PAGE (see General Information section for finish chart)

C (Clear) • D (Dark Brown) • W (White)

HOSPITALITY PRODUCTS

Door Shoes

- 2113_V, 2173_V and 2343_V door shoes are ideal in any situation where airflow under the door is necessary, but privacy and light leakage are also a concern.
- Door shoes feature a durable aluminum channel and removable vinyl insert combination. Insert can be easily replaced if necessary.
- Tested and approved under UL10C for fire; ASTM 283 for air flow and ASTM E90 and BS EN ISO 140-3: 1995 for sound control.

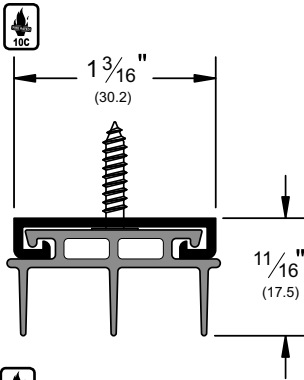
2343_V

AVAILABLE FINISHES:
A, D, G

AVAILABLE LENGTHS:
36", 48"

Also available
unnotched:

2343_V36UN
2343_V48UN

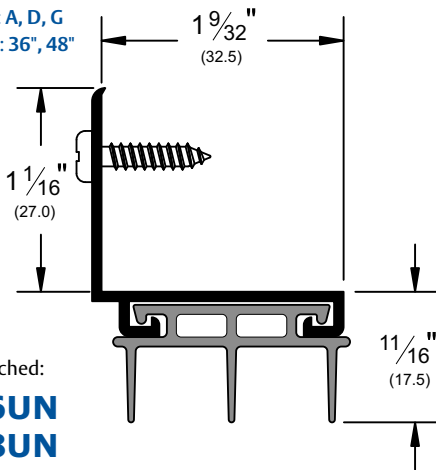


2113_V

AVAILABLE FINISHES: A, D, G
AVAILABLE LENGTHS: 36", 48"

Also available unnotched:

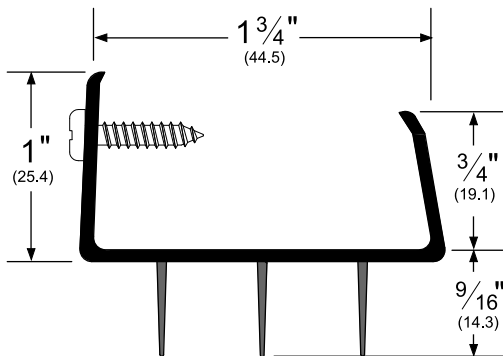
2113_V36UN
2113_V48UN



Vinyl Door Shoes

2170_V

AVAILABLE COLORS: D, W
AVAILABLE LENGTHS: 36", 48"



- Insert is constructed of soft, pliable black vinyl with an alternate notching pattern, allowing HVAC systems and bathroom fans to circulate air under the door while still blocking light and noise.
- 2113_V, 2173_V and 2343_V door shoes are also available unnotched upon request; add "UN" to the end of the part number (example: 2173AV36UN) when ordering.

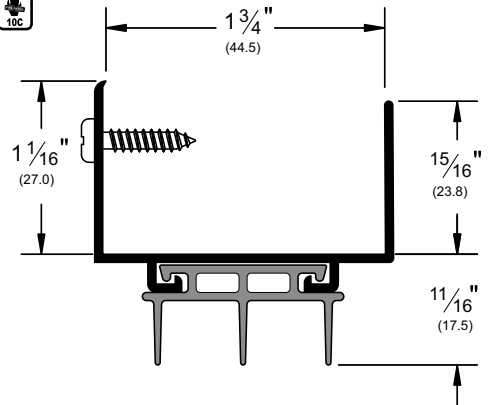
2173_V

AVAILABLE FINISHES:
A, BDG, D, G, PW

AVAILABLE LENGTHS:
36", 48"

Also available unnotched:

2173_V36UN
2173_V48UN



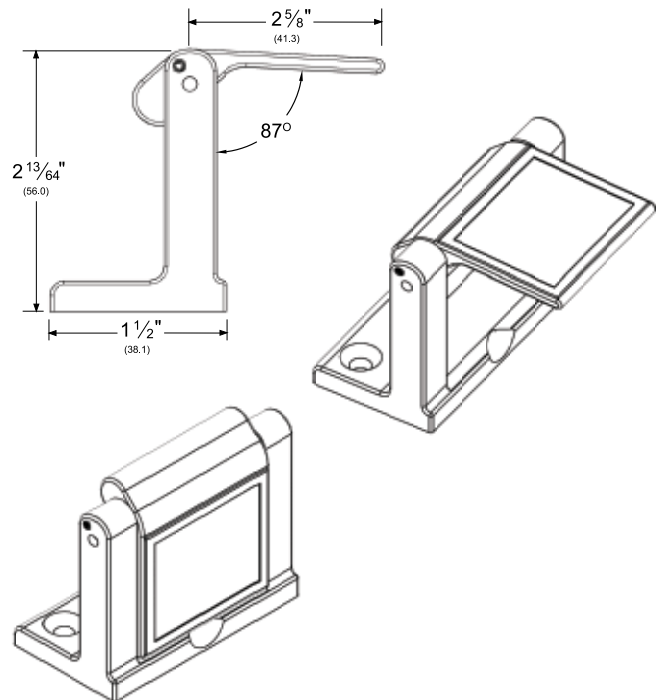
Privacy Door Latch

- Easy to install, simple to operate.
- ADA compliant.
- Enhanced room privacy.
- UL classified as a fire door accessory.

PDL_

AVAILABLE FINISHES:

3 (Polished Brass), 4 (Satin Brass), 26 (Polished Chrome),
26D/15 (Satin Chrome/Nickel)



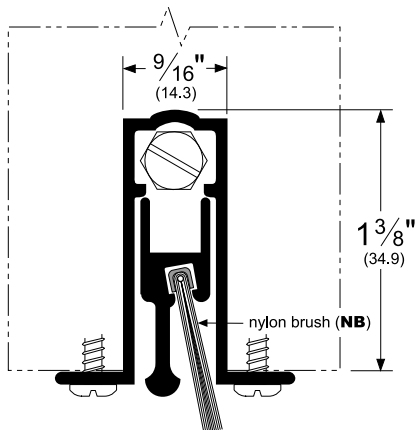
▲ AVAILABLE FINISHES FOR PRODUCTS SHOWN ON THIS PAGE (see General Information section for finish chart)

A (Mill Finish Aluminum) • BDG (Bright Dip Gold Anodized) • D (Dark Bronze Anodized) • G (Gold Anodized) • PW (Painted White)
Vinyl Finishes: D (Dark Brown) • W (White)

Automatic Door Bottoms

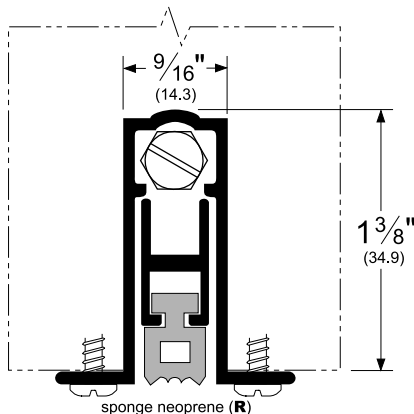
411_NBL 

AVAILABLE FINISH: A

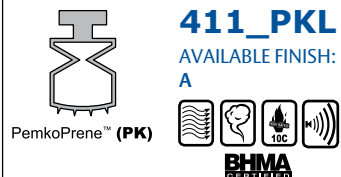


411_RL 

AVAILABLE FINISH: A

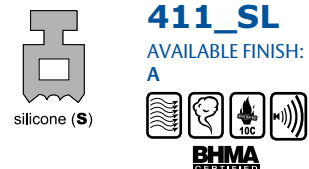


ALTERNATE INSERTS FOR 411



411_PKL

AVAILABLE FINISH: A

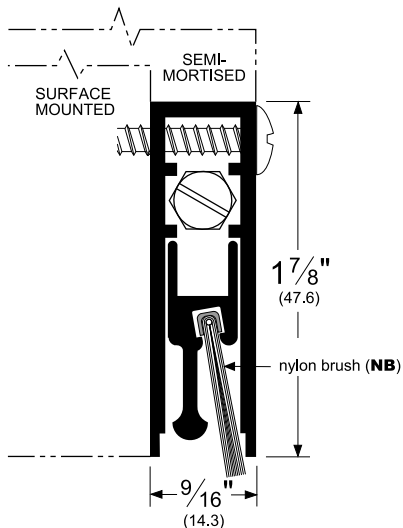


411_SL

AVAILABLE FINISH: A

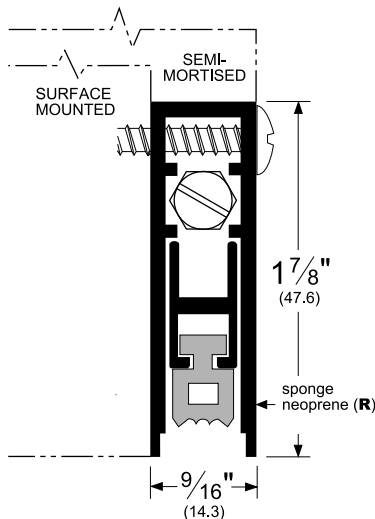
4131_NBL 

AVAILABLE FINISHES: BDG, C, D, G, SN



4131_RL 

AVAILABLE FINISHES: BDG, C, D, G, SN



ALTERNATE INSERTS FOR 4131



4131_PKL

AVAILABLE FINISHES: BDG, C, D, SN



4131_SL

AVAILABLE FINISHES: BDG, C, D, SN

End Plates (4131 Models)

- Black nylon end plates are provided with all 4131 models to protect the mechanism and to give a clean aesthetic appearance.
- Plunger and end plate prevents the plunger adjustment from rotating.
- End plates keep debris out of the mechanism. Do not tighten with power tool.



4131 (End Plate)



4131 (Plunger End Plate)

▲ AVAILABLE FINISHES FOR PRODUCTS SHOWN ON THIS PAGE (see General Information section for finish chart)

A (Mill Finish Aluminum) • BDG (Bright Dip Gold Anodized) • C (Clear Anodized) • D (Dark Bronze Anodized) • SN (Satin Nickel Anodized)

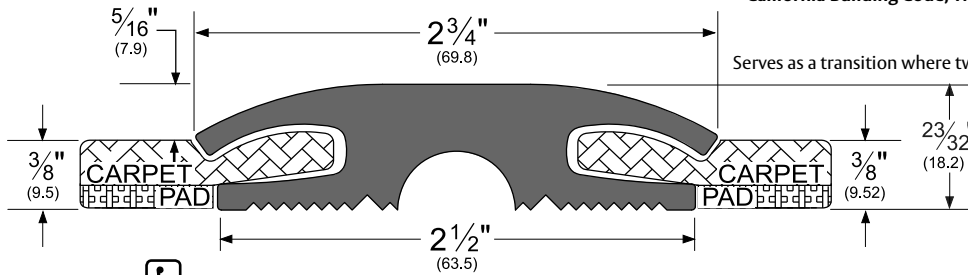
HOSPITALITY PRODUCTS

Vinyl Thresholds

- Vinyl thresholds create an ideal transition where two different pieces of carpet meet, or carpet meets another surface under a door.
- Ideal for use in any high-traffic commercial installation, such as hotels and offices.

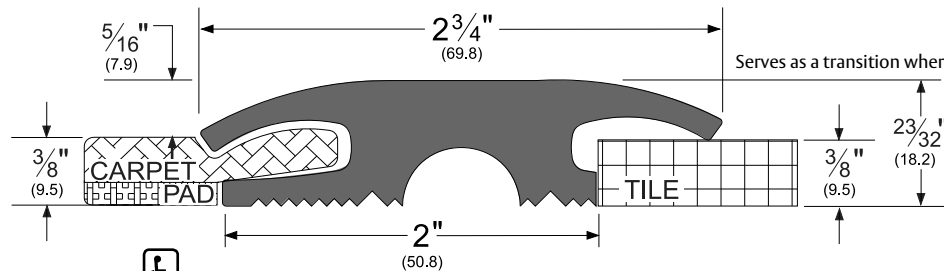
V232_

AVAILABLE COLORS: BL, D
AVAILABLE LENGTHS: 36", 48", 73"



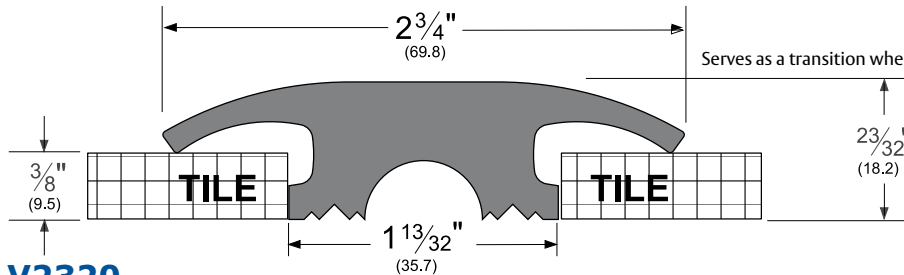
V2325_

AVAILABLE COLORS: BL, D
AVAILABLE LENGTHS: 36", 48", 73"



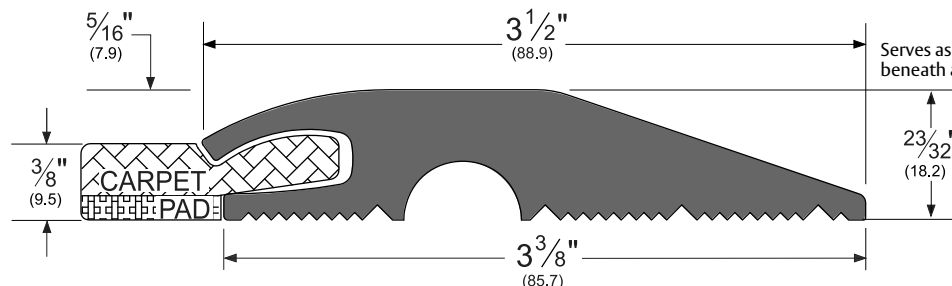
V2326_

AVAILABLE COLORS: BL, D
AVAILABLE LENGTHS: 36", 48", 73"



V2320_

AVAILABLE COLOR: BL
AVAILABLE LENGTHS: 36", 48", 73"



▲ AVAILABLE FINISHES FOR PRODUCTS SHOWN ON THIS PAGE (see General Information section for finish chart)

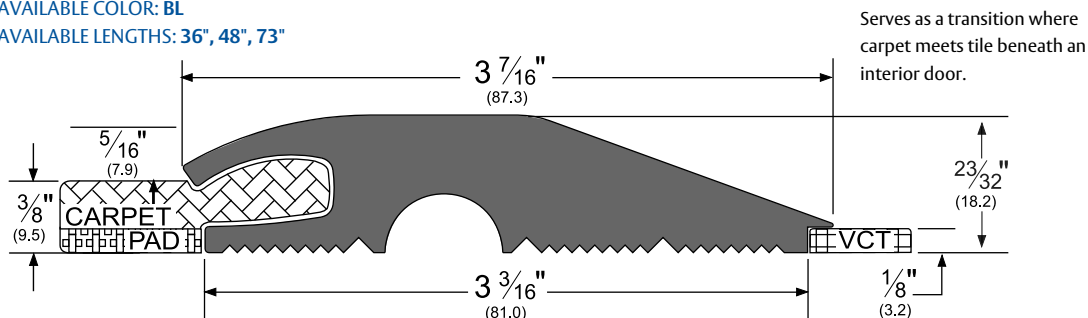
BL (Black) • D (Dark Brown)

Vinyl Thresholds (Cont.)

V2322_

AVAILABLE COLOR: BL

AVAILABLE LENGTHS: 36", 48", 73"



Adjustable-Width Vinyl Threshold

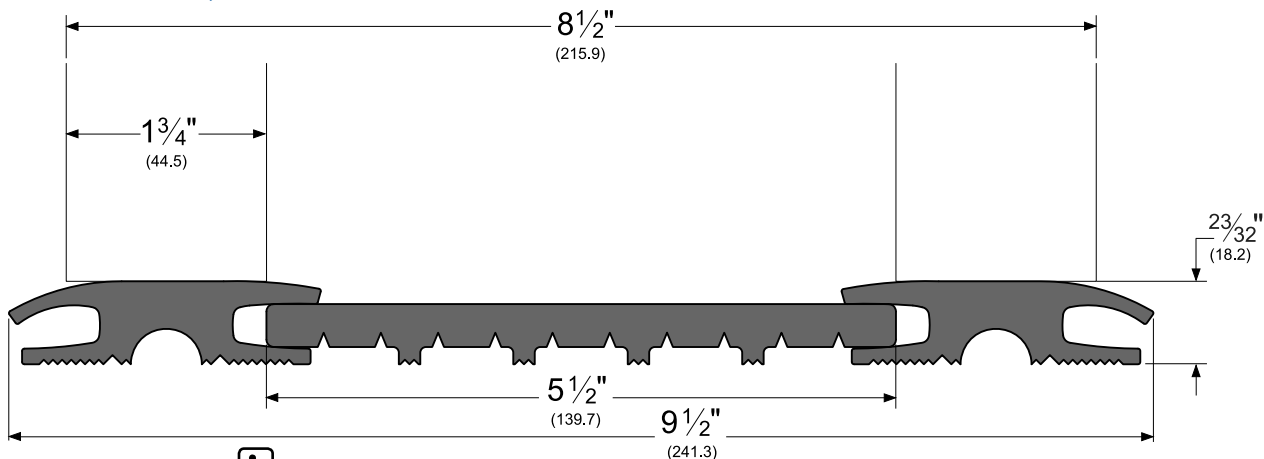
- The adjustable-width threshold is designed for installations where the widths of the transition beneath a door may need to change, without completely disassembling and reinstalling the threshold.
- The adjustable-width threshold's center section adjusts up to a width of 5-1/2" (10" overall including end pieces) to accommodate a wide variety of transition widths.

- The adjustable-width threshold consists of two vinyl end pieces and one vinyl adjustable center section.
- Center Section (V2321_ below) can easily be cut to size with a standard razor knife.

ADJ232V8_

AVAILABLE COLOR: BL

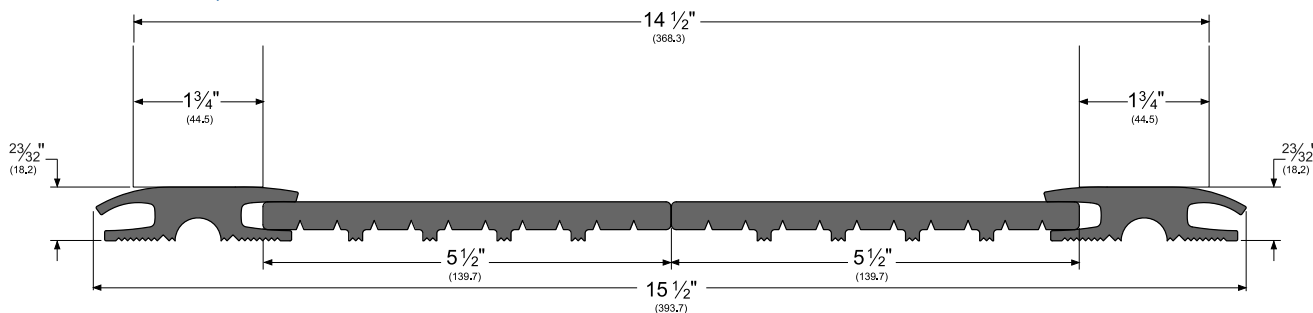
AVAILABLE LENGTHS: 36", 48"



ADJ232V14_

AVAILABLE COLOR: BL

AVAILABLE LENGTHS: 36", 48"



NOTE: Products shown in this section may not be drawn to scale.

▲ AVAILABLE FINISHES FOR PRODUCTS SHOWN ON THIS PAGE (see General Information section for finish chart)

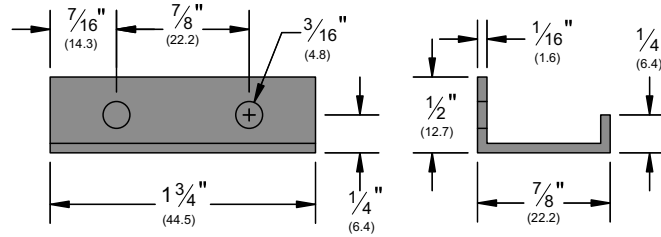
BL (Black)

HOSPITALITY PRODUCTS

Frame Attachment Bracket

- For use with vinyl thresholds.
- 16 gauge galvanized steel.

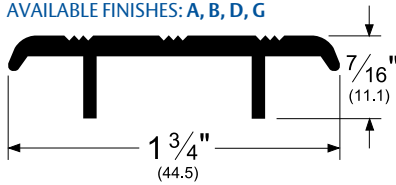
2940SP



Carpet Separators

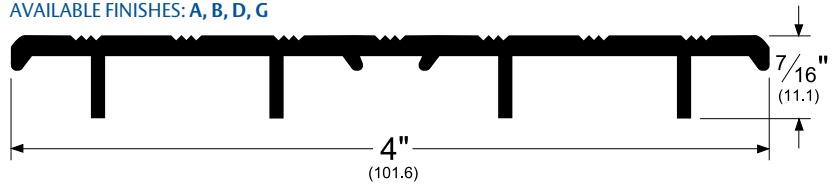
236 Barrier-free over carpet.

AVAILABLE FINISHES: A, B, D, G



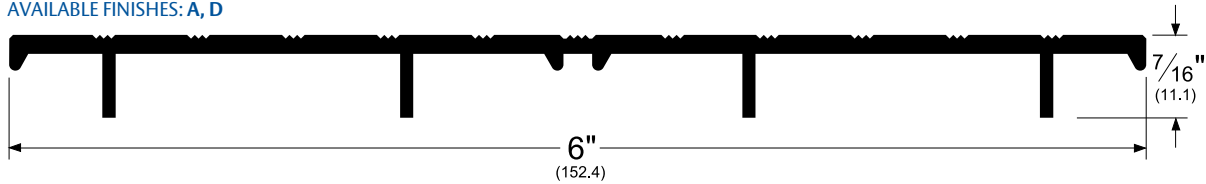
2364 Barrier-free over carpet.

AVAILABLE FINISHES: A, B, D, G



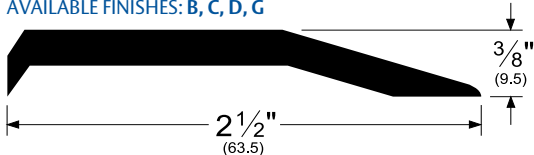
2366 Barrier-free over carpet.

AVAILABLE FINISHES: A, D



174

AVAILABLE FINISHES: B, C, D, G

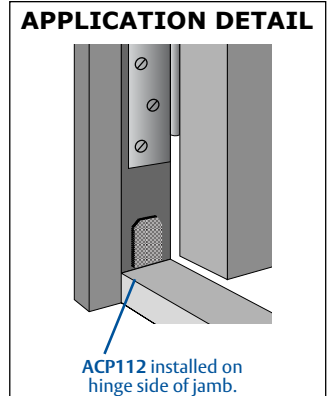
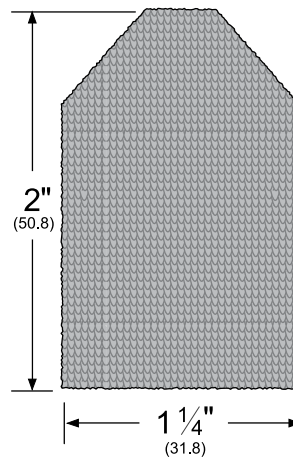


Acoustic Corner Pad

- The ACP112 Acoustic Corner Pad helps seal the door opening against light, air and sound infiltration.
- Approved under ASTM E90 and BS EN ISO 140-3 for sound control when used with a Pemko door shoe or Pemko automatic door bottom.
- Ideal for any application where sound attenuation is required. Maintains the integrity of a sound-rated door.
- The ACP112 is adhesive-backed and is easy to install. No mechanical fasteners are required.

ACP112

AVAILABLE COLORS: BL, W



▲ AVAILABLE FINISHES FOR PRODUCTS SHOWN ON THIS PAGE (see General Information section for finish chart)

A (Mill Finish Aluminum) • B (Mill Finish Bronze [Brass]) • BDG (Bright Dip Gold Anodized) • D (Dark Bronze Anodized) • G (Gold Anodized)
Acoustic Corner Pad Colors: BL (Black Pad) • W (White Pad)