



Schindler 9300® Advanced Edition

Simplicity means attention to detail





Schindler 9300[®] Advanced Edition Moving up to a new level

Sleek and stylish, Schindler 9300[®] Advanced Edition escalators are at home in any commercial environment. The new generation builds on proven Schindler quality and reliability while offering greater versatility than ever before. Two efficient configuration packages are now available to give you the precise level of customization your project requires.

Economical

The Schindler 9300 AE Standard Package of pre-engineered solutions covers the most common customer specifications and delivers optimal price/performance.

Unique

The Schindler 9300 AE Custom Package maximizes your possibilities. A wide range of pre-engineered and individualized solutions using robust components, an exciting color program and variable dimensions for increased adaptability give us the flexibility to meet customer needs applications with a rise of up to 42 ft (12.8 m).



Core Benefits

Built to the highest standards of excellence, the Schindler 9300® Advanced Edition gives you the best value and performance for the most common customer specifications. The new generation builds on Schindler's proven standards of style, quality and safety.

Style

Streamlined elegance is never out of place. From the structural elements to the materials and finishes, the details of the Schindler 9300 AE have been integrated into one harmonious whole that is at home in any commercial environment. The option range of the Schindler 9300 AE Custom makes fully individualized configurations possible that will fit in with any architectural design.

Quality

All Schindler 9300 AE units are pre-engineered using cutting-edge technology and components to provide the highest levels of quality and reliability. Part of an integrated worldwide manufacturing network, all Schindler plants and processes are fully ISO certified.

Safety

At Schindler, there is no margin for error when it comes to safety. All Schindler 9300 AE escalators comply with all local and international safety standards, including ASME A17.1. Every unit comprises over twenty important safety features.

Efficiency

With Schindler you have a choice of three optional energy-saving packages:

- ECOLINE Competence to generate energy savings of up to 20%
- ECOLINE Plus to provide stop-and-go operation
- ECOLINE Premium offering the advantages of crawling speed and peak current reduction thanks to a built-in frequency converter.*

* ECOLINE packages are available where permissible by code. Please contact your Schindler representative for more information.



Style

From the structural elements to the materials, finishes and colors, an optimized range of standard variants and options help ensure the aesthetic harmonization of a Schindler 9300 Advanced Edition escalator with any commercial environment.

The balustrade

The slim, transparent balustrade design of the Schindler 9300 AE is marked by classic grace. The stainless steel balustrade profile provides maximum durability.

Deckings

Our deckings are as good-looking as they are robust, and are available in scratch-resistant, powder-coated aluminium or brushed stainless steel.

Schindler further broadens your design choices by including innovative color options for deckings, skirt panels, handrails and newel end caps.

Lighting

Sophisticated lighting options add substantial visual impact and can help promote safety. Durable, vandal-resistant LED skirt lighting uses light-emitting diode technology to eye-catching effect. Neon skirt lighting accentuates the line of the escalator as well as enhances safety.

Steps

Not only are Schindler steps stylish, but they are also a major safety factor. Defying industry trends, Schindler manufactures this core component in-house in order to guarantee a high level of safety and design. The Schindler 9300AE features sturdy aluminium compact steps in a variety of colors and finishes.



Safety and Quality

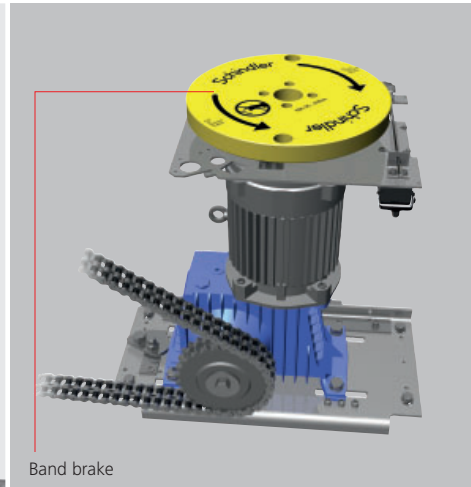
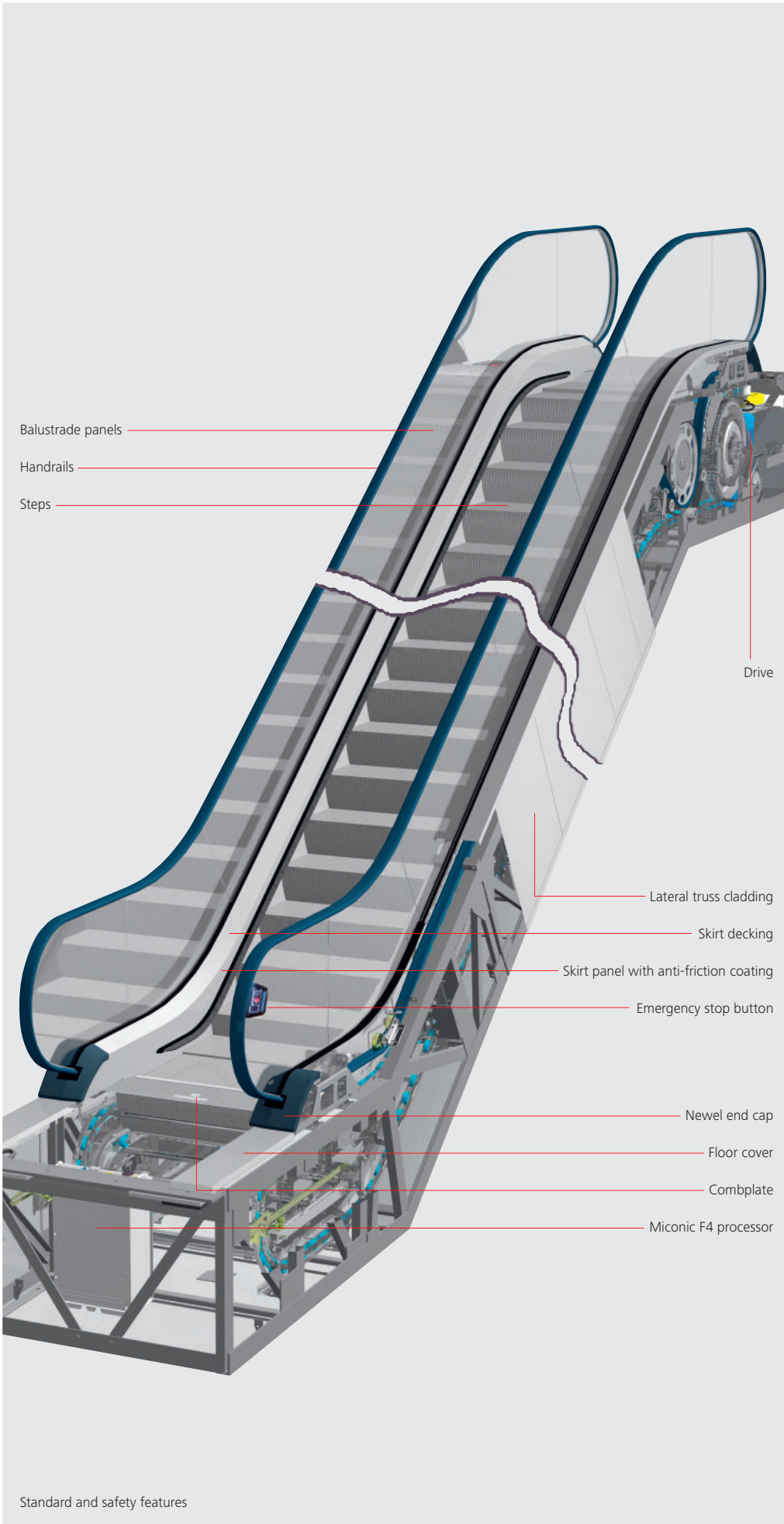
Schindler's global-scale commitment to passenger safety never wavers

Schindler 9300® Advanced Edition escalators satisfy the same strict safety criteria from continent to continent. What's more, Schindler redefines industry standards. Every one of our units includes a full array of elegant standard features plus more than twenty important safety features — made possible thanks to Schindler's high-grade components and dependable system engineering.

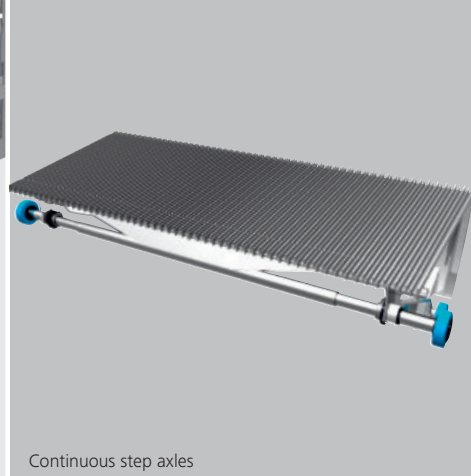
- An additional safeguard against accidents on crowded escalators is the Schindler band brake. No other brake on the market matches its reliability and long service life. The braking torque is automatically adapted to the direction of travel. Its reduction to one third during the ascent slows down the braking effect.
- Continuous step axles linking the two step chains enhance safety by absorbing the bending stresses of the step band.
- Brushes keep children's fingers away from the handrail entry area, which is also equipped with a safety contact to shut down the unit.
- To further increase passenger safety, each escalator is equipped with skirt brushes to help keep feet and hands from getting near the step-to-skirt gap.

Every Schindler escalator offers the highest level of safety

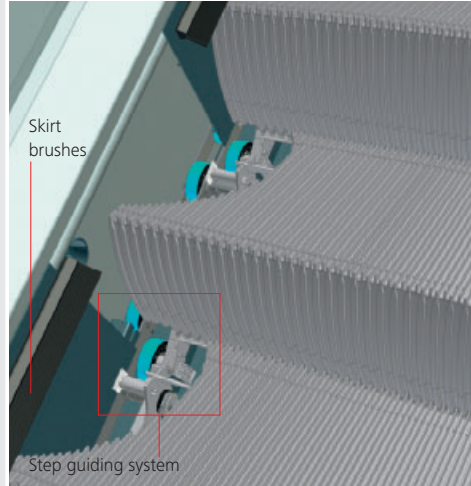
- Doubling your assurance of security through dual processor control is our advanced Miconic® F4, which oversees the operation of your escalator. Two independent microprocessors, "master" and "slave," cross-reference with each other to keep tabs on all operating parameters.
- User safety is maximized by a unique skirt design that offers optimal protection against wedging. The skirting is rigidly reinforced with C-rails on the back and is provided with anti-friction coating on the front to prevent shoes and other foreign objects from becoming trapped between the steps and the skirt panels. Well-designed optional skirt brushes further reduce the risk of wedging. The Schindler skirting has proved its durability and easy maintenance in many existing installations.
- Schindler's unique step guiding system further decreases the risk of wedging by helping to ensure that the distance between the skirting and the step is consistently kept to a minimum.



Band brake

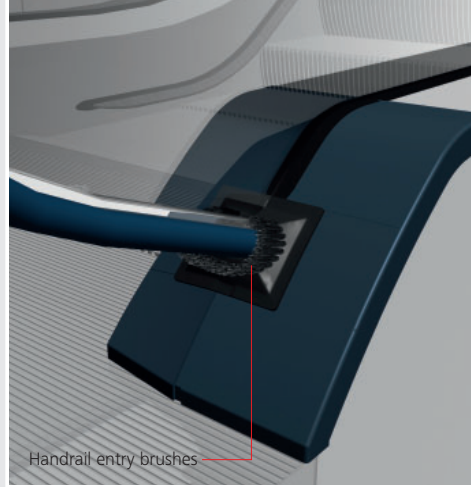


Continuous step axes



Skirt brushes

Step guiding system



Handrail entry brushes

Standard and safety features

Efficiency

If the name of the game is efficiency, Schindler 9300® Advanced Edition escalators easily fulfill the highest expectations. Every feature is designed to meet the need for quiet, cost-effective operation.

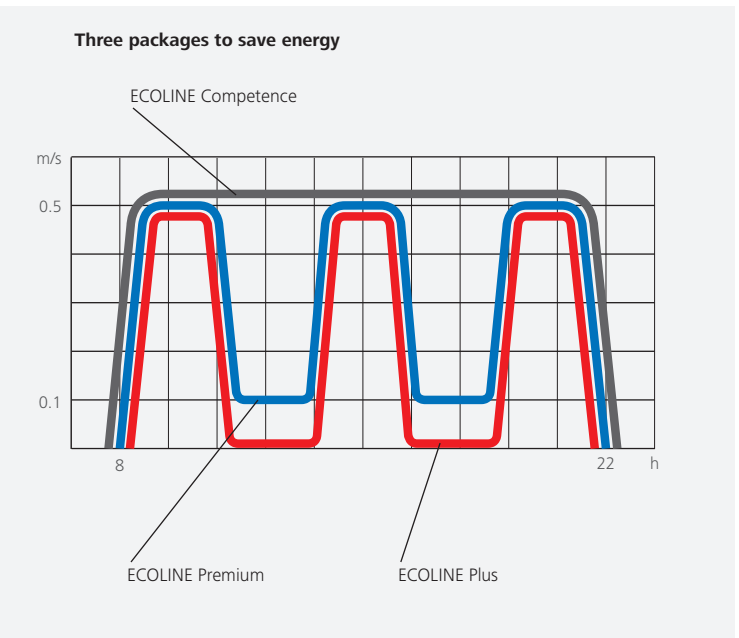
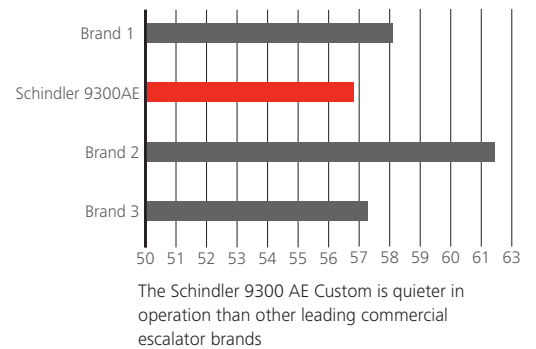
- Exceptionally quiet running is a result of Schindler’s industry-unique combination of a 6-pole motor with the Schindler reduction gear. This low-speed motor produces significantly less noise than a 4-pole motor.

Whatever your energy goals, Schindler helps you achieve them

- All new installations have remote monitoring capability to determine the operating state round the clock. In the event of a stoppage, immediate diagnosis helps enable fast response and return to service.
- To keep energy costs down, every Schindler 9300 Advanced Edition escalator has an optimized drive system that is perfectly matched to the demands of the rise. Nominal motor power drops by as much as 27% compared with earlier escalator models.

- With Schindler you have a choice of three optional energy-saving packages.* Schindler’s ECO energy-saving system for higher rises, starting current reduction and soft start/soft stop functionality are all included in the ECOLINE Competence package and can generate energy savings of up to 20%. ECOLINE Plus provides for stop-and-go operation when passenger flow is discontinuous. ECOLINE Premium offers the advantages of crawling speed and peak current reduction thanks to a built-in frequency converter.

- * ECOLINE packages are available where permissible by code. Please contact your Schindler representative for more information.





Disclaimer

The specifications, options and colors expressed within this brochure are indicative only and are subject to change without notice. They are not intended to, and do not, constitute an offer on the part of the Schindler Group.

Value-Added Tools

Design your own escalator — online

SchindlerDraw® is a fast, efficient and powerful tool that saves hours of drawing time on scaled layouts. Based on ready-to-use specifications, it is an indispensable planning aid, tailoring drawings to each individual project. SchindlerDraw is an automated interactive CAD program for Schindler escalators. Since the program is accessed online free of charge, there's no software to download. Simply log in to My Schindler, register, then click to open the Escalator Project Center, your own personal work center for creating, saving, opening or downloading escalator drawings. SchindlerSpec® works the same way to provide fast, efficient online specifications. These unique services were first launched by Schindler in 1995 and have become an industry benchmark.

Expert construction and installation

The key to the successful implementation of your escalator project lies in the orchestrated approach of experienced Schindler engineers, who oversee every detail from the technical planning up until the final handover. With a recognized track record in efficient site construction management and the assurance of on-schedule delivery, Schindler offers turnkey solutions for commercial and public transportation installations anywhere in the world.

Schindler-quality maintenance and service

Schindler-trained service technicians are reliable and fast. Worldwide. The use of technologically advanced diagnostic and repair tools minimizes downtime. Schindler Remote Monitoring™ (SRM) continuously monitors numerous operational parameters to help pinpoint problems. Remote diagnostics allow rapid response to the service call with solution-based corrections. And regular performance checks under a tailored Schindler maintenance plan help prevent service interruptions from occurring in the first place.

Cost-effective modernizations

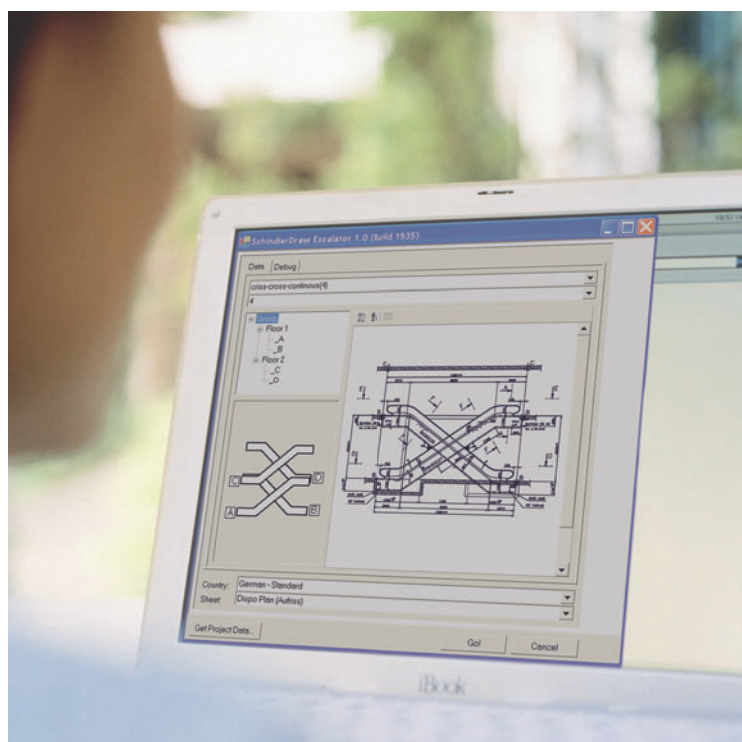
After years of service, even the best-maintained escalator needs upgrading. Schindler's versatile modernization program gets hard-working units in shape for the future. Schindler upgrade technology can dramatically improve performance and reliability without burdening your budget. Choose from a wide range of safety, design, functionality, energy and environment kits designed to bring existing equipment up to the latest standards.

Streamlined replacement

If circumstances dictate that a brand-new unit is required, Schindler's efficient replacement methods can help reduce the time and costs involved.

Ask Schindler

To learn more about the extraordinary possibilities of the Schindler 9300® Advanced Edition, visit us on the Web at www.us.schindler.com, or contact your Schindler representative.



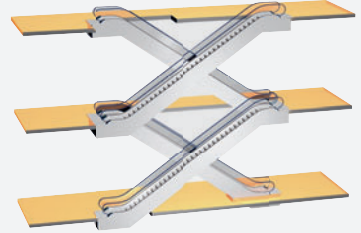
Interrupted arrangement
maximizes revenue



Parallel arrangement for
heavy traffic volumes



Crisscross arrangement
minimizes transportation time



Schindler

Reliable, moving, trailblazing

For generations, Schindler has been providing the finest elevator and escalator technology to architects and builders around the world.

Founded in Switzerland in 1874, the Schindler Group has grown into a multinational company. Today, with more than 44,000 employees on six continents, we are doing business in more than 130 countries. Schindler Elevator Corporation, the North American subsidiary, employs over 6,500 people and operates in more than 250 locations across the U.S. and Canada.

For further information including location of the Schindler office nearest you, please visit:

www.us.schindler.com

U.S. Headquarters
Schindler Elevator Corporation
P.O. Box 1935
Morristown, New Jersey 07962-1935
Tel. 973.397.6500

Canada Headquarters
Schindler Elevator Corporation
40 Cowdray Court
Scarborough, Ontario M1S 1A1
Tel. 416.332.8280