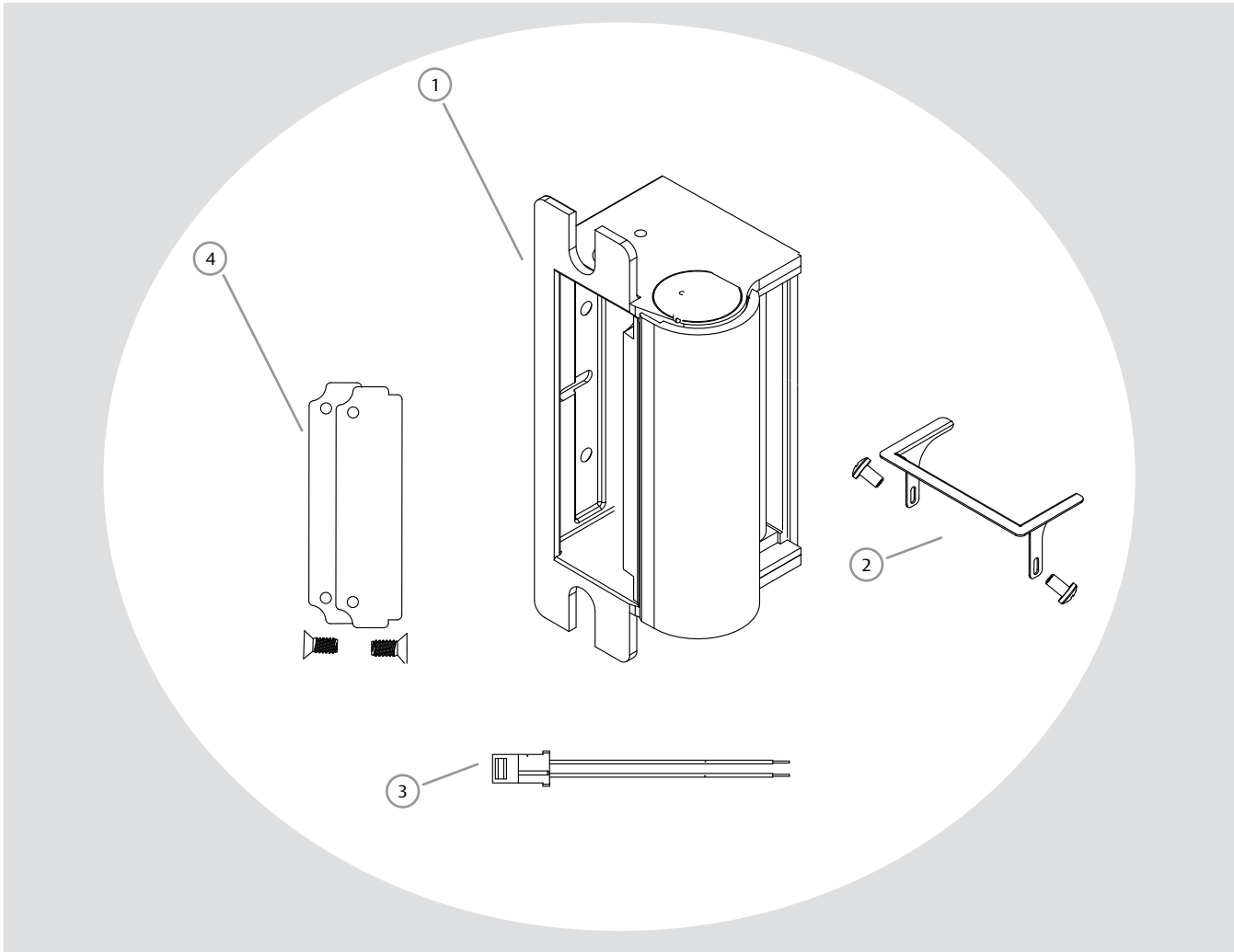


Product Components

- ① 1006 Electric Strike Body
- ② Trim Enhancer (with screws)
- ③ Plug In Connector
- ④ Keeper Shims (2, with screws)



Electrical Specifications

ELECTRICAL RATINGS FOR SOLENOID		
CONTINUOUS DUTY	12VDC	24VDC
Resistance in Ohms	25	100
Amps	.48	.24
Solenoids are rated at +/- 10% indicated value.		

MINIMUM WIRE GAUGE REQUIREMENTS		
SOLENOID VOLTAGE	12VDC	24VDC
200 feet or less	18 gauge	18 gauge
200 - 300 feet	16 gauge	18 gauge
300 - 400 feet	14 gauge	16 gauge

CAUTION! Before connecting any device at the installation site, verify input voltage using a multimeter. Many power supplies and low voltage transformers operate at higher levels than listed. Any input voltage exceeding 10% of the solenoid rating may cause severe damage to the unit and will void the warranty.

Prepare Strike

1. Check power source and make sure that the electric strike is configured to the appropriate voltage. This electric strike ships as 12V. If you need to convert the unit from 12V to 24V, see Diagram 2.

2. If your strike is supplied with the LATCHBOLT MONITOR (LBM), or LATCHBOLT STRIKE MONITOR (LBSM), see Diagrams 3 & 4 for wiring instructions.

3. For available faceplate options, see page 4.

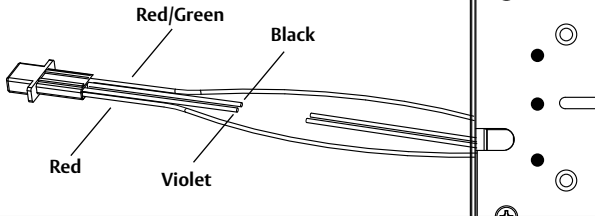
Prepare Frame

4. Prepare frame using appropriate template for your lockset and faceplate combination (see page 3).

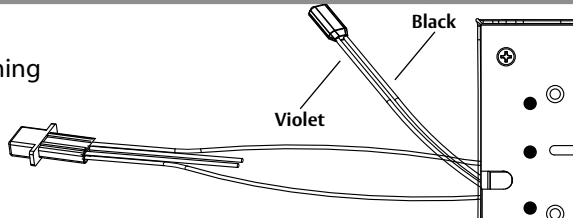
5. Connect wires from the power source to the strike.

DIAGRAM 2: 12V to 24V CONVERSION

a Cut the violet and black wires between the strike and connector



b Connect black and violet wires coming from the strike together. Insert into one blue wire connector and crimp with pliers



c To prevent electric shorting, independently crimp the violet and black wires with the blue wire connectors

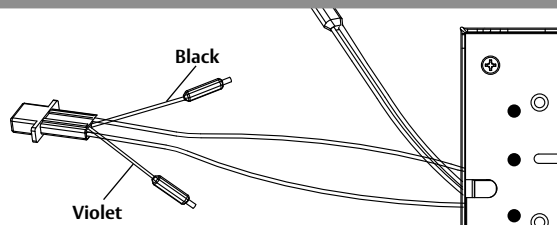


DIAGRAM 3: LATCHBOLT MONITOR

LBM WIRING

White	Common
Orange	Normally Open
Green	Normally Closed

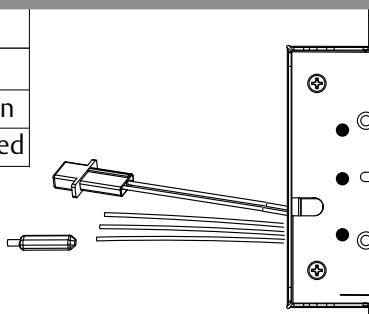
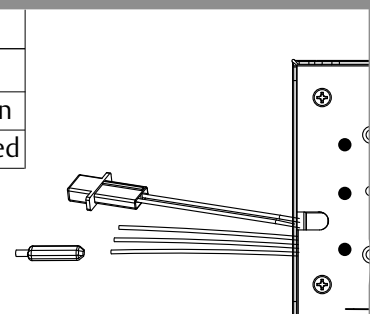


DIAGRAM 4: LATCHBOLT STRIKE MONITOR

LBSM WIRING

Brown	Common
Blue	Normally Open
Yellow	Normally Closed

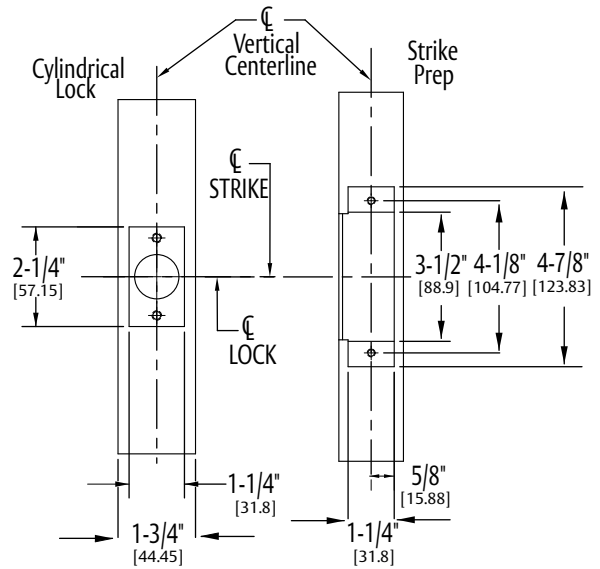
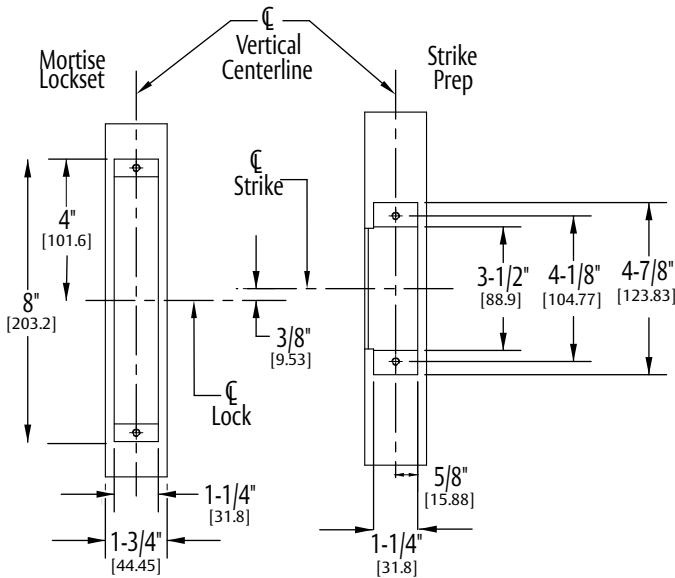


1006 WITH MORTISE LOCKSETS

1006 WITH CYLINDRICAL LOCKSETS

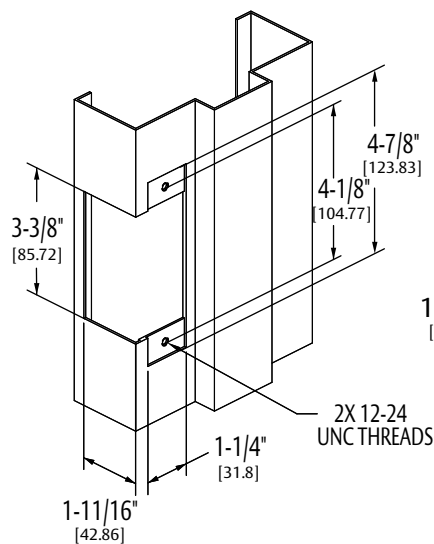
Please note the horizontal centerline of the electric strike in relation to the centerline of the mortise lockset.

Please note the horizontal centerline of the electric strike in relation to the centerline of the cylindrical lockset.



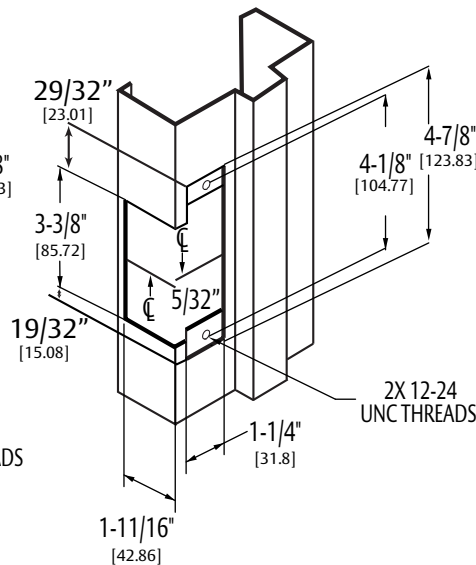
METAL JAMB INSTALLATION FOR 1006 SERIES FACEPLATES

Cutout dimensions for option faceplates: J, K, KM, N, NM, A, AM, H, HM, HT, T, Z, R and E



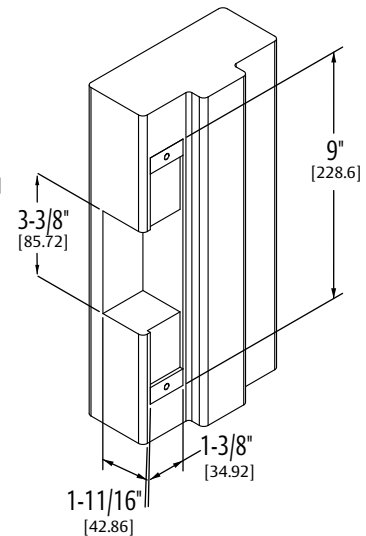
METAL JAMB INSTALLATION FOR 1006 -D SERIES FACEPLATES

Cutout dimensions for option faceplates: KD, ND, AD, HD and TD



WOOD JAMB INSTALLATION FOR 1006-2 SERIES FACEPLATES

Cutout dimensions for option faceplates: J2, K2, KM2, N2, T2, H2 AND A2



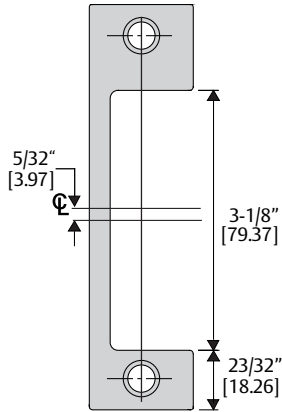
Faceplate Options

(4-7/8 x 1-1/4 SQUARE CORNER)

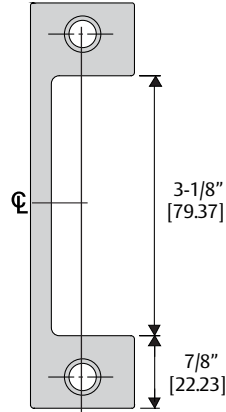
☒ = center line of faceplate
(2nd line = center line of faceplate opening)

Inches [mm]

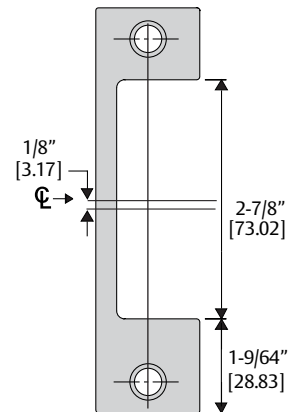
AD, HD, ND & TD OPTION FACEPLATE



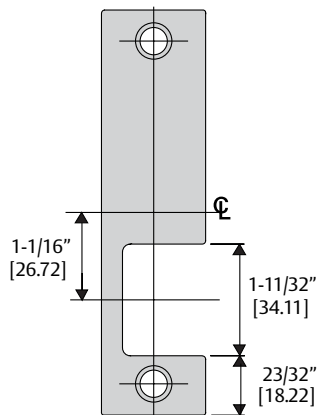
A, H, HT, N & T OPTION FACEPLATE



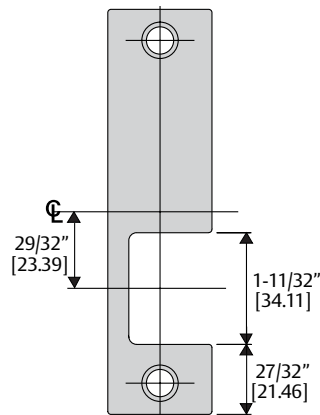
AM, HM, & NM OPTION FACEPLATE



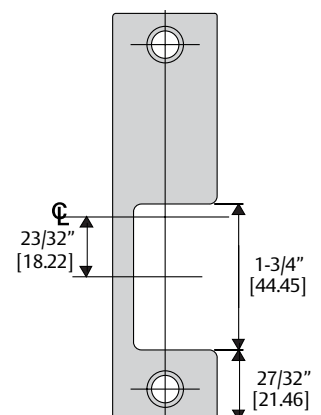
KD OPTION FACEPLATE



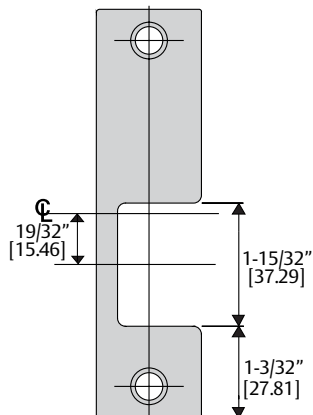
K OPTION FACEPLATE



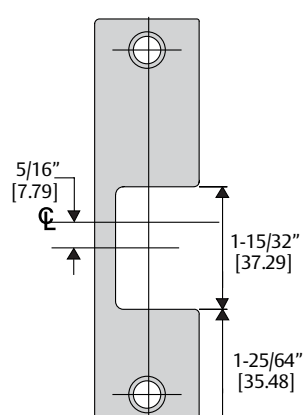
R OPTION FACEPLATE



KM OPTION FACEPLATE



Z OPTION FACEPLATE



J, E OPTION FACEPLATE

