



# catalog of appliances

For more information on GE appliances, visit [ge.com](http://ge.com).



imagination at work

## GE Café™, GE® and Hotpoint® side-by-side refrigerators



**CSS25USW**  
GE Café  
25.5 cu. ft.  
refrigerator



- ClimateKeeper™ system
- UltraFlow<sub>100</sub> dispenser
- ExpressChill™ setting
- GE Café stainless handles
- Stainless sides
- Actual temperature display
- GE water filtration



**GSS23WST**  
GE 23.0 cu. ft.  
refrigerator



- External temperature controls with actual temperature display, child lock, door alarm and UltraFlow<sub>64</sub>
- Integrated shelf support system
- Adjustable humidity crispers
- Adjustable temperature deli drawer
- Snack pan
- AutoEnergy saver



**GSS20GEW**  
GE 20.0 cu. ft.  
refrigerator

- External temperature controls with child lock and UltraFlow<sub>64</sub>
- Sealed vegetable/fruit crisper
- Sealed meat drawer
- Gallon door bins
- Adjustable glass shelves
- FrostGuard™ technology
- AutoEnergy saver



**HSS25GFT**  
Hotpoint  
25.0 cu. ft.  
refrigerator

- External electronic temperature controls
- Tall LightTouch! dispenser with child lock
- Three adjustable glass shelves
- Clear sealed vegetable/fruit crisper
- Four door bins (2 adjustable with gallon storage)
- GE water filtration system
- FrostGuard technology
- Deluxe quiet design
- AutoEnergy saver

## GE Café side-by-side refrigerator

	GE Café	
	CSS25USW	
Stainless steel model	●	
ENERGY STAR®	●	
<b>Capacity</b>		
Total (cu. ft.)	25.4	
Fresh food (cu. ft.)	15.90	
Freezer (cu. ft.)	9.5	
Shelf area (sq. ft.)	22.70	
<b>Fresh food features</b>		
ClimateKeeper system	●	
Multi-flow air system	●	
Electronic sensors	●	
Actual temperature display	●	
External controls	●	
TurboCool setting	●	
GE water filtration system	1-year	
UltraFlow <sub>100</sub> dispenser	Crushed ice, cubes, water	
Light	●	
Child lock and door alarm	●	
Quick Ice™ feature	●	
Water filter indicator light	●	
Cabinet shelves	3 glass	
Adjustable	3	
Slide-out, spillproof	3	
QuickSpace shelf	●	
Integrated shelf support system	●	
Snugger™ clips	2	
Freshness Center	●	
Top drawer	Adj. temp.	
Middle drawer	Adj. humidity	
Bottom drawer	ExpressChill	
ClearLook™ door bins	3	
In-the-door beverage rack	●	
BrightSpace interior	GE Reveal®	
Quiet design	Deluxe	
AutoEnergy saver	●	
<b>Freezer features</b>		
FrostGuard technology	●	
Integrated Ice™ system	●	
Wire slide-out baskets	3 (2 full-extension)	
Wire cabinet shelves	3	
Wire tilt-out door bin(s)	2 adj.	
Door bin	1	
BrightSpace interior light	GE Reveal	
<b>Exterior</b>		
Color(s) available*	SS	
Door handle(s)	GE Café stainless	
Exterior design	Contoured doors	
Textured steel case	Top only	
Stainless steel side panels	●	
Adjustable rollers	Front	
<b>Weights &amp; Dimensions</b>		
Height to top of hinge (in.) A	69-3/8	
Height to top of case (in.) B	68-7/8	
Case depth without door (in.) C †	28-3/4	
Case depth less door handle (in.) D †	32-1/4	
Case depth with door handle (in.) E †	34-3/4	
Depth w/fresh food door open 90° (in.) F †	50-3/4	
Width (in.) G	35-3/4	
Width w/door open 90° w/door handle (in.) H	41-1/2	
Air clearances		
Each side (in.)	1/8	
Top (in.)	1	
Back (in.)	1	
Approximate shipping wt. (lbs.)	450	
Power/Rating	120V, 60Hz, 15Amps	

\*Color(s) available: SS = Stainless steel  
†Water hook-up fits in back air clearance when calculating installation depth.  
If installed against a wall, allow clearance of 14-3/16" on 25 cu. ft., on freezer side to remove ice bin. To remove fresh food pans, remove door bins. Clearances required to remove fresh food full-size pan without disassembling: 18-15/16" on 25 cu. ft. Allow additional space for any necessary leveling adjustments.

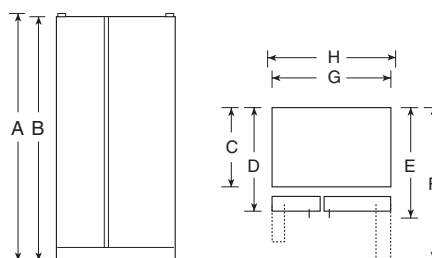
**ALL MODELS AVAILABLE IN U.S. AND CANADA.**  
Energy information available at [www.ge.com](http://www.ge.com)

## Side-by-side refrigerators

	GE		Hotpoint
	GSS23WST GSS23WGT	GSS20GEW	HSS25GFT
Stainless steel model	● / -		
ENERGY STAR	●		
<b>Capacity</b>			
Total (cu. ft.)	23.1	20.0	25.0
Fresh food (cu. ft.)	15.86	12.85	15.44
Freezer (cu. ft.)	7.26	7.14	9.56
Shelf area (sq. ft.)	20.5	17.3	22.4
<b>Fresh food features</b>			
Actual temperature display	●		
External controls	●		●
GE water filtration system	1-year		●
UltraFlow dispenser	64		Crushed ice, cubes, water
Features	Crushed ice, cubes, water		Crushed ice, cubes, water
Light and child lock	●		●
Door alarm	●		
Water filter indicator light	●		
Cabinet shelves	3 glass	3 glass	3 glass
Adjustable	3	3	3
Slide-out, spillproof	3		
Deli Drawer		1 sealed	
Vegetable/fruit crisper		1 sealed	
Integrated shelf support system	●		
Snugger clips	2		
2-stack drawer system			2 clear
Top drawer	1 adj. temp.		
Bottom drawer	1 adj. humidity		
Snack pan	●		
Door bins	4 (2 adj. with gallon storage)	4 (2 adj. with gallon storage)	4 (2 adj. with gallon storage)
Dairy compartment	●		Opaque
Beverage rack	In-the-door		
Interior light system	Dual-level	Single-level	●
Quiet design	Deluxe		Deluxe
AutoEnergy saver	●		●
NeverClean™ condenser	●		●
<b>Freezer features</b>			
FrostGuard technology	●		●
Factory-installed icemaker and bin	●		●
Wire cabinet shelves	4 (3 adj.)	3 (2 adj.)	3 (2 adj.)
Storage basket(s)	1 slide-out	1 bin	1 bin
Door shelves	5	5	5 fixed
Interior light	●		●
<b>Appearance</b>			
Color(s) available*	SS WW, CC, BB	WW, CC, BB	WW, CC, BB
Deluxe door handle(s)*	Stainless steel tubular	●	●
Exterior design	Rounded doors	●	●
Textured steel door and case	Case only (black)	●	●
Adjustable rollers	Front	●	Front
<b>Weights &amp; Dimensions</b>			
Height to top of hinge (in.) A	69-1/4	67-1/2	69-3/4
Height to top of case (in.) B	68-3/4	66-1/2	68-3/4
Case depth without door (in.) C †	28	28	28
Case depth less door handle (in.) D †	31-1/4	31-1/4	31-1/4
Case depth with door handle (in.) E †	33-9/16	33-9/16	33-5/8
Depth w/fresh food door open 90° (in.) F †	50-1/16	47-3/8	49-3/8
Width (in.) G	32-3/4	31-1/2	35-3/4
Width w/door open 90° with door handle (in.) H	34-3/4	33-15/16	38-5/8
Air clearances			
Each side (in.)	1/8		1/8
Top (in.)	1		1
Back (in.)	1		1
Approx. shipping wt. (lbs.)	310/296	306	344
Power/Ratings	120V, 60Hz, 15Amps		

\*Color(s) available: SS = Stainless steel, WW = White, CC = Bisque, BB = Black, CM = Color-Matched.  
†Water hook-up fits in back air clearance when calculating installation depth.  
If installed against a wall, allow clearance of 10-3/4" on 20 cu. ft. and 22 cu. ft. models; 14-3/16" on 25 cu. ft. models on freezer side to remove bin. Clearances required to remove fresh food full-size pan without disassembling: 13-1/2" on 20 cu. ft.; 15" on 22 cu. ft.; and 18-15/16" on 25 cu. ft. Allow additional space for any necessary leveling adjustments.

**ALL MODELS AVAILABLE IN U.S. AND CANADA.**



Front view

Top view

## GE Profile™ counter-depth french-door refrigerator



PFCS1NFW

### PFCS1NFW GE Profile 20.9 cu. ft. French-door refrigerator

- Factory-installed icemaker with GE water filtration
- Upfront temperature controls with actual temperature display and TurboCool™ setting
- Freshness Center™ with 2 adj. humidity crispers and 1 full-width adj. temperature deli drawer
- BrightSpace™ interior with GE Reveal® lighting
- Multi-level Slide 'n Store™ freezer baskets
- In-the-door beverage rack and condiment bin
- QuickSpace™ shelf
- Self-closing drawer

## GE® top-freezer refrigerators



GTS22KCP



GTS18KCP



GTS18JCP

### Icemaker models

#### GTS22KCP GE 21.7 cu. ft. refrigerator

- Factory-installed automatic icemaker
- Upfront illuminated temperature controls
- Adjustable spillproof glass shelves
- Adjustable humidity vegetable/fruit crispers
- Adjustable gallon door bins
- Spillproof freezer floor

#### GTS18KCP GE 17.9 cu. ft. refrigerator

- Factory-installed automatic icemaker
- Upfront illuminated temperature controls
- Adjustable spillproof glass shelves
- Adjustable humidity vegetable/fruit crispers
- Adjustable gallon door bins
- Spillproof freezer floor

#### GTS18JCP GE 18.0 cu. ft. refrigerator

#### GTL18JCP (not shown) GE 18.0 cu. ft. refrigerator

- CleanSteel™ appearance

#### The models above all include:

- Upfront illuminated temperature controls
- Adjustable spillproof glass shelves
- Factory-installed automatic icemaker
- Vegetable/fruit crispers
- Spillproof freezer floor
- Gallon door storage
- NeverClean™ condenser
- Deluxe quiet design



GTS18HCS

**GTS18HCS**  
GE 18.2 cu. ft. refrigerator

- Adjustable glass shelves
- Upfront temperature controls
- Factory-installed icemaker
- Clear vegetable/fruit crisper
- Gallon door storage
- Can storage shelf
- NeverClean condenser
- Deluxe Quiet design



GTS18DCP

Icemaker models

**GTS18DCP**  
GE 18.0 cu. ft. refrigerator

- Upfront illuminated temperature controls
- Adjustable shelves; 2 wire, 1 glass
- Factory-installed automatic icemaker
- Vegetable/fruit crispers
- Spillproof freezer floor
- Gallon door storage
- NeverClean condenser

**GTH18DCR** (not shown)  
GE 18.0 cu. ft. refrigerator

Similar features and appearance as GTS18DCP, except ENERGY STAR® qualified



Non-icemaker models

**GTS18DBP** (not shown)  
GE 18.0 cu. ft. refrigerator

Similar features and appearance as GTS18DCP, except equipped for optional automatic icemaker

**GTH18DBR** (not shown)  
GE 18.0 cu. ft. refrigerator

Similar features and appearance as GTS18DCP, except equipped for optional automatic icemaker; ENERGY STAR qualified



GTS18CCS

Icemaker model

**GTS18CCS**  
GE 18.2 cu. ft. refrigerator

- Upfront temperature controls
- Factory-installed automatic icemaker
- Gallon door storage
- Can storage door shelf
- Vegetable/fruit crispers
- Adjustable wire shelves
- NeverClean condenser

Non-icemaker model

**GTS18CBS**  
GE 18.2 cu. ft. refrigerator

Similar features as GTS18CCS, except equipped for optional automatic icemaker

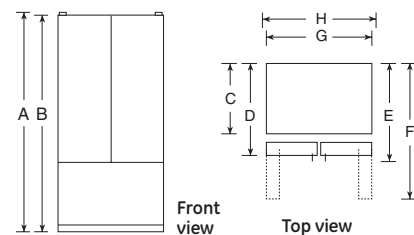
# GE Profile™ counter-depth bottom-freezer refrigerator

# Top-freezer refrigerators

	GE Profile
	PFC51NFW PFCF1NFW
ENERGY STAR®	●
Stainless steel model	●/-
French-door model	●
<b>Capacity</b>	
Total (cu. ft.)	20.9
Fresh food (cu. ft.)	14.5
Freezer (cu. ft.)	6.3
Shelf area (sq. ft.)	23.9
<b>Fresh food features</b>	
Internal electronic temperature controls	●
TurboCool™ setting	●
Cabinet shelves	4 glass
Adjustable	4 split
Slide-out	3
Spillproof	3
QuickSpace™ shelf	1
GE water filtration	1-year
Water filter indicator light	●
Freshness Center™	●
Crisper drawers	2 adj. humidity
Full-width deli drawer	1 adj. temp
ClearLook™ adjustable gallon door bins	4
Fixed door bins	1
Beverage rack	In-the-door
Snugger™ clips	2
BrightSpace™ interior lighting	GE Reveal®
Quiet design	●
NeverClean™ condenser	●
<b>Freezer features</b>	
Factory-installed icemaker & bin	●
FrostGuard™ technology	●
Multi-level Slide 'n Store™ full extension freezer baskets	2 f/w, 1 split
BrightSpace interior	GE Reveal
<b>Exterior</b>	
Color(s) available*	SS, WW/BB
Sculptured door handles	Stainless steel High gloss color-matched
Exterior design	Contoured doors
Textured steel case	Black Color-matched
Door	Stainless High-gloss
Door stops	●
Adjustable rollers	Front and rear
<b>Weights &amp; Dimensions</b>	
Height to top of hinge (in.) A	69-5/8
Height to top of case (in.) B	69
Case depth without door (in.) C †	24-1/8
Case depth less door handle (in.) D †	28
Case depth with door handle (in.) E †	31
Depth w/fresh food door open 90° (in.) F †	43-1/8
Width (in.) G	35-7/8
Width w/door open 90° w/door handle (in.) H	42-1/2
Air clearances	Each side (in.) 1/8 Top (in.) 1 Back (in.) 1/2
Approximate shipping wt. (lbs.)	363
Power/Rating	120V, 60 Hz, 15Amps

\*Color(s) available: SS = Stainless steel, WW = White, SB = Black with stainless steel handles, CC = Bisque, BB = Black.  
†Water hook-up fits in back air clearance when calculating installation depth.

**ALL MODELS AVAILABLE IN U.S. AND CANADA.**  
Energy information available at [www.ge.com](http://www.ge.com)

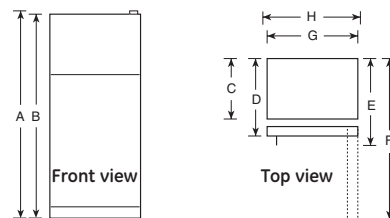


**Note:** Anti-tip bracket part number 200D8494P001 will be shipped with every counter-depth model

	GE®				
	GTS18KCP GTS22KCP	GTL18JCP GTS18JCP	GTS18HCS	GTH18DBR GTS18DBP GTH18DCR GTS18DCP	GTS18CCS GTS18CBS
ENERGY STAR				● / - / ● / -	
ADA compliant	● / -	●		●	
<b>Capacity</b>					
Total (cu. ft.)	17.9 / 21.7	18.0	18.2	18.0	18.2
Fresh food (cu. ft.)	12.9 / 15.38	12.93	13.89	12.89	13.89
Freezer (cu. ft.)	5.04 / 6.35	5.09	4.27	5.03	4.27
Shelf area (sq. ft.)	21.7 / 24.9	21.8	21.7	21.8	18.9/19.8
<b>Fresh food features</b>					
Upfront temperature controls	Illuminated	Illuminated	●	Illuminated	●
Cabinet shelves	4 glass (lift-off)	3 glass	3 glass	2 wire, 1 glass	2 wire
Adjustable	4 split	2 split, 1 f/w		1 f/w, 1 split wire	2 f/w
Spillproof	4	●		1 split glass	
GE water filtration	●				
Vegetable/fruit crisper(s)	2 adj. humidity	2 clear	2 clear	2 white	2
Snack pan	●	Clear	Clear	White	
Adjustable gallon door bins	3				
Fixed door bins	1 (tall bottle)	2 f/w, 1 w/gallon storage			
Door shelves		1/2 w/gallon storage	3 f/w fixed, 2 w/gallon storage	1 split w/gallon, 2 f/w w/gallon	3 f/w fixed, 2 w/gallon storage
Dairy compartment	●	●	●	●	●
Interior light system	Dual	Dual	Single	Single	Single
Quiet Design	Deluxe	Deluxe	Deluxe	Deluxe	Deluxe
NeverClean condenser	●	●	●	●	●
<b>Freezer features</b>					
Factory-installed icemaker and bin	●	●	●	Opt. (IM4A) Opt. (IM4A)	● / Opt. (IM4A)
Ice 'N Easy trays				1 1 1 1	
Spillproof freezer floor	●	●		●	- / 1
Wire freezer compartment shelves	Step 1 adj. f/w	Step 1 adj. f/w	Step	Step	
Adjustable door bin	1				
Fixed door bins	1 f/w, 2 split 1 f/w, 1 split				
Door shelves		2 f/w fixed	2 f/w fixed (1 extra-deep)	2 fixed	2 fixed
Interior light	●				
<b>Exterior</b>					
Color(s) available*	WW, CC, BB	CleanSteel™ WW, CC, BB	WW, CC	WW, CC, BB	WW, CC
Door handle(s)*	CM	CM	CM	CM	CM
Customer installed handles	●	●	●	●	●
Exterior design	Rounded doors	Rounded doors	Squared doors	Rounded doors	Squared doors
Textured steel door and case	●	Case only (black)	●	●	●
Reversible doors	●	●	●	●	●
Adjustable rollers	Front	Front	Front	Front	Front
<b>Weights &amp; Dimensions</b>					
Height to top of hinge (in.) A	66-5/8 / 67-1/2	66-5/8	67-3/8	66-5/8	67-3/8
Height to top of case (in.) B	66-1/8 / 66-7/8	66-1/8	66-7/8	66-1/8	66-7/8
Height to mid-freezer (in.)	53-15/16 / 54-1/2	53-15/16	57	53-15/16	57
Case depth without door (in.) C	27-1/2 / 27-5/8	27-1/2	26-3/4	27-1/2	26-3/4
Case depth less door handle (in.) D	30-1/4 / 31-5/8	30-1/4	30-1/2	30-1/4	30-1/2
Case depth with door handle (in.) E	32-1/8 / 33-5/8	32-1/8	32-3/8	32-1/8	32-3/8
Depth w/fresh food door open 90° (in.) F	58-1/8 / 63	58-1/8	56-3/8	58-1/8	56-3/8
Width (in.) G	29-1/2 / 32-7/8	29-1/2	28	29-1/2	28
Width w/door open 90° w/door handle (in.) H	32 / 35	32	30-3/4	32	30-3/4
Air clearances	Each side (in.) 1/8 Top (in.) 1 Back (in.) 1	1/8 1 1	3/4 1 1	1/8 1 1	3/4 1 1
Approx. shipping wt. (lbs.)	231 / 260	226	192	223 223 228 228	178
Power/Ratings	120V, 60Hz, 15Amps				

\*Color(s) available: SS = Stainless steel, WW = White, CC = Bisque, BB = Black, CleanSteel = Stainless steel appearance, CM = Color-Matched.

**ALL MODELS AVAILABLE IN U.S. AND CANADA.**



# GE and Hotpoint® free-standing electric ranges

11 31 00/GEN  
BuyLine 5038



**JBP80TM**  
GE 30" electric range

- Self-clean oven
- Super-large 5.3 cu. ft. oven capacity
- TrueTemp™ system
- 9"/12" dual element
- 6"/9" PowerBoil™ element
- Warming zone
- QuickSet IV oven controls
- Self-clean heavy-duty oven racks



**JBP72SM**  
GE 30" electric range

- Self-clean oven
- Super-large 5.3 cu. ft. oven capacity
- TrueTemp system
- 9"/12" dual element
- Warming zone
- QuickSet IV oven controls
- Big hearth window



**JBP66SM**  
GE 30" electric range

- Self-clean oven
- Super-large 5.3 cu. ft. oven capacity
- TrueTemp system
- 9"/12" dual element
- Ceramic glass cooktop
- QuickSet IV oven controls
- Big hearth window



**JBP27DM**  
GE 30" electric range

- Self-clean oven
- Super-large 5.0 cu. ft. oven capacity
- TrueTemp system
- QuickSet IV oven controls
- Coil heating elements
- Big hearth-shaped window



**JBP24DM**  
GE 30" electric range

- Self-clean oven
- Super-large 5.3 cu. ft. oven capacity
- QuickSet III oven controls
- Coil heating elements
- Big hearth-shaped window
- Dual element bake



**JBS27SM**  
GE 30" electric range

- Standard-clean oven
- Super-large 5.0 cu. ft. oven capacity
- Coil heating elements
- ClearView™ window
- Dual element bake
- Electronic clock and timer
- Frameless glass oven door
- Chrome drip bowls



**JBS07M**  
GE 30" electric range

- Super-large 5.3 cu. ft. oven capacity
- Coil heating elements
- ClearView window
- Dual element bake
- Porcelain oven door
- CleanWell™ cooktop system
- Chrome drip bowls



**RB526H**  
Hotpoint 30" electric range

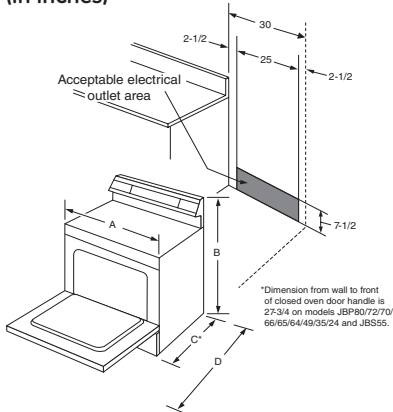
- Super-large 5.0 cu. ft. oven capacity
- Two 8" and two 6" plug-in elements
- Electronic clock/timer
- Standard window
- Porcelain upswept cooktop
- Chrome drip bowls

# 30" free-standing electric ranges

Features	GE®							Hotpoint®
	JBP80SM JBP80TM JBP80DM	JBP72SM JBP72TM JBP72DM	JBP66SM JBP66DM	JBP27DM	JBP24DM	JBS27SM JBS27DM	JBS07M	RB526H
Oven cleaning	Self-clean	Self-clean	Self-clean	Self-clean	Self-clean	Standard	Standard	Standard
Oven capacity (cu. ft.)	5.3	5.3	5.3	5.0	5.3	5.0	5.0	5.0
Oven racks	2 heavy-duty self clean	2	2	2	2	2	2	2
Upswept porcelain-enam. cooktop	●	●	●	●	●	●	●	●
Clean-Well™ cooktop system	●	●	●	●	●	●	●	●
Lift-up cooktop w/dual support rods	●	●	●	●	●	●	●	●
Coil heating elements				2 - 8"; 2 - 6"	2 - 8"; 2 - 6"	2 - 8"; 2 - 6"	2 - 8"; 2 - 6"	2 - 8"; 2 - 6"
Ribbon heating elements	1 - 9/12"; 1 - 6/9" w/ PowerBoil™; 2 - 6"; 1 - 6" warming zone	1 - 9/12"; 1 - 5/8"; 2 - 6"; 1 - 6" warming zone	1 - 9/12"; 1 - 8"; 2 - 6"					
Melt/Simmer	●	●	●	●	●	●	●	●
Infinite heat controls	●	●	●	●	●	●	●	●
Removable 1-piece drip bowls				Chrome / Chrome/Black	Chrome / Black	Black / Chrome Chrome / Black	Chrome	Chrome
TrueTemp™ system	●	●	●	●	●	●	●	●
Six-pass power bake element	●	●	●	●	●	●	●	●
Convenience controls				●	●	●	●	●
QuickSet oven controls	QuickSet IV	QuickSet IV	QuickSet IV	QuickSet IV	QuickSet III	QuickSet III		
Digital temperature display	●	●	●	●	●	●	●	●
Electronic oven controls				●	●	●	●	●
Auto oven shut-off	w/override	w/override	w/override	w/override	w/override			
Delay bake	●	●	●	●	●	●	●	●
Oven light pad	●	●	●	●	●	●	●	●
Start pad	●	●	●	●	●	●	●	●
Delay clean option	●	●	●	●	●	●	●	●
Auto self-clean	●	●	●	●	●	●	●	●
Self-clean cool down time display	●	●	●	●	●	●	●	●
Audible preheat signal	●	●	●	●	●	●	●	●
Certified Sabbath mode	●	●	●	●	●	●	●	●
Clock and minute timer	●	●	●	●	●	●	●	●
Dual element bake	●	●	●	●	●	●	●	●
Heating element "ON" indicator light	●	●	●	●	●	●	●	●
Interior oven light	Pad	Pad	Pad	Pad	Pad	Switch	Switch	Switch
Preheated oven light	●	●	●	●	●	●	●	●
Removable full-width storage drawer	●	●	●	White / Bisque / Black	White / Black	Stainless steel / White / Bisque / Black	White / Bisque / Black	●
<b>Appearance</b>								
Color appearance*	SS / WW / CC / BB	SS / WW / CC / BB	SS / WW / CC / BB	WW / CC / BB	WW / BB	SS / WW / CC / BB	WW / CC / BB	WW / CC
Oven door with window	Big hearth	Big hearth	Big hearth	Big hearth	Big hearth	ClearView	ClearView	●
Removable oven door	●	●	●	●	●	●	●	●
Designer-style handle	●	●	●	●	●	●	●	●
Textured steel side panels	●	●	●	●	●	●	●	●
<b>Weights &amp; Dimensions</b>								
Overall oven interior dimensions (WxHxD in inches)	24-1/8 x 19-1/2 x 19-3/8	24-1/8 x 19-1/2 x 19-3/8	24-1/8 x 19-1/2 x 19-3/8	24 x 19 x 19	24-1/8 x 19-1/2 x 19-3/8 24-1/8 x 19-1/2 x 19-1/4	23-3/4 x 19 x 18-1/2	23-3/4 x 19 x 18-1/2	23-3/4 x 19 x 18-1/2
Approx. shipping wt. (lbs.)	198	184	175	172	170	158	141	150
<b>Power/Ratings</b>								
KW rating @ 240V	13	11.9	11.9		11.7	11.7	12.6	11.0
208V	9.8	8.9	8.9		8.8	8.8	9.5	8.7
Amp rating @ 240V / 208V	40	40	40		40	40	40	40

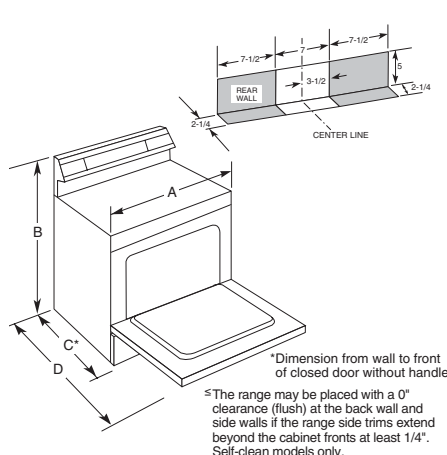
\*WW = White with white door, CC = Bisque with bisque door, BB = Black with black door, WH = White with black door, CT = Bisque with black door, CM = Color-Matched indicates color of oven door or storage drawer matches range cooktop (either white, black or bisque).

## Installation information (in inches)



**Installation Information:** Before installing, consult installation instructions packed with product for current dimensional data.

## Dimensions and installation information (in inches) for models JBS27/07 and RB526H



Model	A	B	C*	D
JBP80/72/66	29-7/8	46-7/8	25-3/8	47-5/8
JBP27	29-7/8	46-1/4	25-3/8	47-3/8
JBP24	29-7/8	46-7/8	25-3/8	47-5/8
JBS27/07	29-7/8	46-1/4	26-1/4	46-1/4
RB526H	29-7/8	46-1/2	26-3/8	46-1/4

\*Dimension from wall to front of closed oven door handle is 27-3/4" on JBP80/72/66/24; 28-3/4" on models JBS27, JBP27 and JBS07.



# GE free-standing standard burner gas ranges

11 31 00/GEN  
BuyLine 5038



**JGBP33DEM**  
GE 30" gas range

- Self-clean oven
- Extra-large oven capacity
- TrueTemp system
- QuickSet IV oven controls
- Precise Simmer burner
- 13,000 BTU high output burner
- Cast-iron grates
- Sealed cooktop burners



**JGBP28DEM**  
GE 30" gas range

- Self-clean oven
- Extra-large oven capacity
- TrueTemp system
- QuickSet III oven controls
- (2) 12,000 BTU high output burners
- Sealed cooktop burners
- Cast-iron grates
- Frameless glass oven door
- Big hearth-shaped window



**JGBS20DEM**  
GE 30" gas range

- Extra-large standard-clean oven
- All-purpose burners
- Electronic oven control
- Standard grates
- Frameless glass oven door



**JGBS07DEM**  
GE 30" gas range

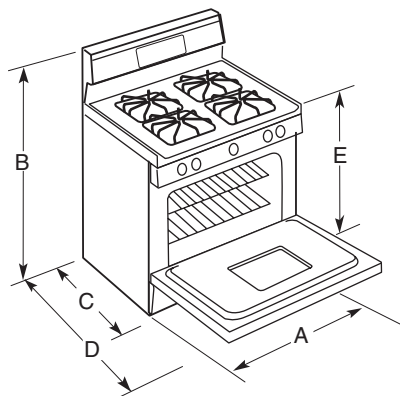
- Extra-large self-clean oven
- All-purpose burners
- Standard grates
- Porcelain oven door
- ClearView window

# GE® free-standing standard burner gas ranges

## 30" self-clean gas ranges

GE		
Sealed burner models		
	JGBP33SEM JGBP33DEM	JGBP28SEM JGBP28MEM JGBP28DEM
<b>Capacity</b>		
Extra-large oven	4.8 cu. ft.	4.8 cu. ft.
<b>Features</b>		
Oven cleaning	Self-clean	Self-clean
Cooktop burners	Sealed	Sealed
	(1) 13,000/ 1,000 BTU	(2) 12,000/ 1,000 BTU
High output burner		
Precise Simmer burner (Nat.)	(1) 5,000/600 BTU	(1) 5,000/600 BTU
All-purpose burners (Nat.)	(2) 9,500/850 BTU	(1) 9,500/850 BTU
Valves (degree of turn)	270	270
TrueTemp™ system	●	●
Electronic controls	●	●
QuickSet oven controls	QuickSet IV	QuickSet III
Auto self-clean	●	●
Electronic clock and timer	●	●
Automatic oven timer	●	●
Audible preheat signal	●	●
Auto oven shut-off	●	●
Certified Sabbath mode	●	●
One-piece upswept cooktop	Porc.-enam.	Porc.-enam.
Porcelain-enameled one-piece drip pans	Black Grey Taupe Black	Opt. access.
Removable grates	Black cast-iron Grey cast-iron Taupe cast-iron Black cast-iron	Black cast-iron Black cast-iron Grey cast-iron Black cast-iron
Square grates	●	●
Ignition system	Electronic	Electronic
Oven racks	3	2
Six embossed rack positions	●	●
Scratch-resistant backguard	Porc.-enam.	Porc.-enam.
Interior oven light	●	●
Storage drawer	●	●
In-oven broiling	●	●
<b>Appearance</b>		
Color appearance*	SS/WW/CC/BB Stainless steel White glass Bisque glass Black glass	SS/BS/WW/BB/WH/CT Stainless steel CleanSteel™ White glass Black glass
Frameless oven door		
Oven door with window	Big hearth	Big hearth
Designer-style handle	●	●
<b>Weights &amp; Dimensions</b>		
Overall oven interior dimen. (WxHxD in inches)	← 24 x 18-1/2 x 19 →	
Approx. shipping wt. (lbs.)	210	210
<b>Power/Ratings</b>		
Top burners (000's BTUs) Nat/LP	(1) 13.0/11.0 (1) 5.0/5.0 (2) 9.5/9.5	(2) 12.0/11.0 (1) 9.5/9.5 (1) 5.0/5.0
Oven/broiler burners (000's BTUs) Nat/LP	← 16.0/16.0 Oven 12.5/12.0 Broil →	
Gas range electrical rating	← 120V, 60Hz, 5A →	
LP conversion kit (included)	●	●

\*SS = Stainless steel (with black/metallic accents on select models), BS = CleanSteel with black accents, WW = White with white glass door, CC = Bisque with bisque glass door, BB = Black with black glass door, WH = White with black glass door, CT = Bisque with black glass door. Factory set for Natural Gas. A set of LP orifices is included with each range for LP conversion.



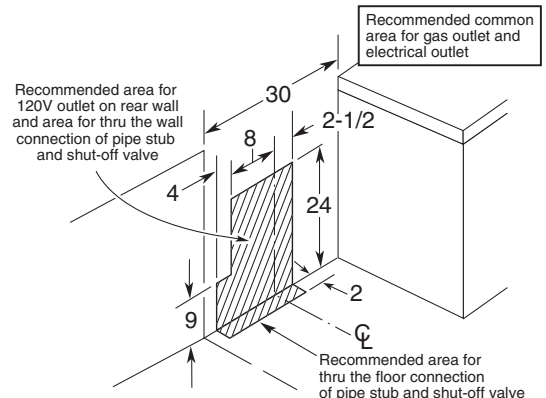
Model	A	B	C*	D	E
JGBP33	30	46-7/8	26-1/4	46-3/8	36-1/4± 1/4
JGBP28	30	46-1/8	26-1/4	46-3/8	36-1/4± 1/4
JGBS20	30	46-1/8	26-1/4	46-3/8	36-1/4± 1/4
JGBS07	30	46-7/8	25-5/16	46-1/4	36-1/4± 1/4

\*Dimension from wall to front of closed door handle is 29" on models JGBP33, JGBP28 and JGBS20/07. Depth to front edge of cooktop—25-1/4"

## 30" continuous- and standard-clean gas ranges

GE		
Standard burner models		
	JGBS20DEM	JGBS07DEM
ADA-compliant		●
<b>Capacity</b>		
Extra-large oven capacity	4.8 cu. ft.	4.8 cu. ft.
<b>Features</b>		
Oven cleaning	Standard-clean	Standard-clean
Cooktop burners	Std./twin	Std./twin
All-purpose burners (Nat.)	(4) 9,100/850 BTU	(4) 9,100/850 BTU
Valves (degree of turn)	140	140
Electronic clock and timer	●	●
Electronic oven controls	QuickSet III	
Porcelain-enameled cooktop	One-piece upswept	●
Lift-up cooktop	●	●
Easy-clean porcelain-enameled subtop	●	●
One-piece drip pans	Opt. access.	Opt. access.
	Grey standard Black standard Porcelain-steel	Grey/Taupe/Black standard porcelain-steel
Removable square grates		
Ignition system	Electronic	Electronic
Oven racks	2	2
Six embossed rack positions	●	●
One piece broiler pan	●	●
Porcelain-enameled backguard	●	●
Interior oven light	●	●
Broiler drawer	●	●
<b>Appearance</b>		
Color appearance*	WW/CC/BB White glass Bisque glass Black glass	WW/CC/BB White/Bisque/Black porc.-enam.
Frameless oven door		
Oven door with window	ClearView™	ClearView
Designer-style handle	●	●
<b>Weights &amp; Dimensions</b>		
Overall oven interior dimen. (WxHxD in inches)	← 24 x 18-1/2 x 19 →	
Approx. shipping wt. (lbs.)	175	165
<b>Power/Ratings</b>		
Top burners (000's BTUs) Nat/LP	← (4) 9.1/8.0 →	
Oven/broiler burners (000's BTUs) Nat/LP	← 18.0/16.5 →	
Gas range electrical rating**	← 120V, 60Hz, 5A →	
LP conversion kit (included)	●	●

\*SS = Stainless steel (with black/metallic accents on select models), WW = White with white door, CC = Bisque with bisque door, BB = Black with black door.  
\*\*Electrical rating not applicable to standing pilot models. Factory set for Natural Gas. A set of LP orifices is included with each range for LP conversion.





## RGB533 Hotpoint 30" gas range

- Extra-large capacity
- Sealed cooktop burners
- Performance Plus burner
- Simmer 600 burner
- Performance Plus burner
- Frameless glass oven door with window
- Electronic clock and timer
- Standard grates



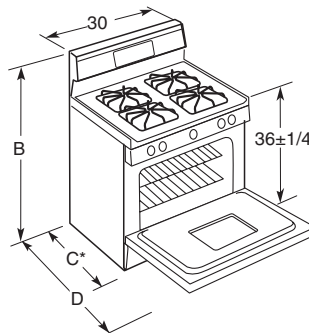
## RGB524 Hotpoint 30" gas range

- Extra-large, standard clean oven
- Solid color-matched porcelain-enameled oven door
- Slide-out broiler drawer
- Electronic pilotless ignition
- Standing pilot ignition system

## 30" Capacity Plus™ gas ranges

	Hotpoint	
	RGB533WEH RGB533CEH RGB533BEK	RGB524PEH
<b>Capacity</b>		
Extra-large oven	●	●
<b>Features</b>		
Oven cleaning	Standard-clean	Standard-clean
Cooktop burners	Sealed	Twin
Performance Plus burner (Nat.)	(1) 12,000/ 1,000 BTU	
Simmer 600 burner (Nat.)	(1) 5,000/ 600 BTU	
All-purpose sealed burners (Nat.)	(2) 9,500/ 850 BTU	
Oven controls	Electronic clock/ timer	Knob
Porcelain-enameled cooktop	Upswept	●
Lift-up cooktop		●
Easy-clean subtop		●
Valves (degree of turn)	270°	140°
Removable drip pans	Opt. access.	Opt. access.
Removable square grates	Grey Taupe Black	Black
Ignition system	Electronic	Electronic Pilot
Oven racks	2	2
Six embossed rack positions	●	●
Interior oven light	●	
In-oven broiling		
Slide-out broiler drawer	●	●
Removable storage drawer		
ADA-Compliant		●
<b>Appearance</b>		
Color appearance*	WW CC BB	WH/CT
Frameless oven door	White glass Bisque glass Black glass	Solid CM*
Oven door with window	●	
Handle style	Designer-style	Visor
Removable oven door	●	●
<b>Weights &amp; Dimensions</b>		
Overall oven interior dimensions (WxHxD in inches)	← 24 x 18-1/2 x 19 →	
Approx. shipping wt. (lbs.)	185	147
<b>Power/Ratings</b>		
Gas range electrical rating	120V, 60 Hz, 5A	
	(1) 12.0/ 11.0	
Top burners†	(1) 5.0/ 5.0	
(000's BTU's) Nat/LP	(2) 9.5/ 9.5	
Oven/broiler burners†	← 18.0/16.5 →	
(000's BTU's) Nat/LP		
<b>Accessories</b>		
LP conversion kit	●	●

\* WW = White with white door, CC = Bisque with bisque door, BB = Black on black.  
CM = Indicates color of oven door matches range cooktop (either white or bisque).  
\*\*Electrical rating not applicable to standing pilot models.  
Factory set for Natural Gas. A set of LP orifices is included with each range for LP conversion.

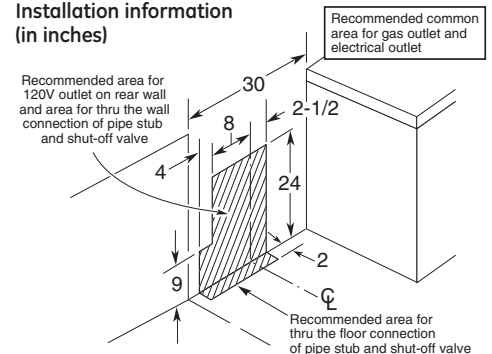


### Dimensions (in inches)

Model	B Height	C* Depth	D Depth with door open
RGB533	46-1/2	26-1/4	46-3/8
RGB524	44	26-1/2	46-3/8

\*Depth from wall to front of closed oven door.

### Installation information (in inches)



# GE CleanDesign™ cooktops



## JP346 GE 30" electric CleanDesign cooktop

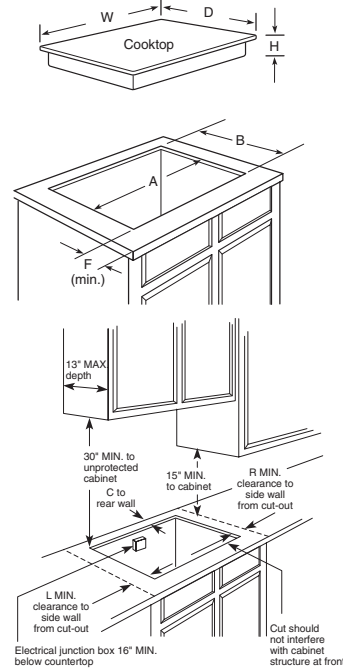
- Ceramic-glass cooktop
- Ribbon heating elements
- Melt setting
- 8" PowerBoil™ element
- Frameless design
- Hot surface indicator light
- Dishwasher-safe knobs

## 30" electric CleanDesign cooktops

GE®	
	JP346SM JP346WM JP346CM JP346BM
Features	Pattern: black Pattern: white Pattern: bisque Pattern: black
Ceramic-glass surface	
Number of elements	4 ribbon
12" heating elements	1 ribbon (2700W)
8" heating elements	1 PowerBoil (2500W)
6" heating elements	2 ribbon (1200W)
Melt setting	●
Hot surface indicator lights	1
Dishwasher-safe knobs	●
Appearance	
	SS WW CC BB
Color appearance*	
Frameless	SS/WW/CC/BB
Weight & Dimensions	
Cooktop width (in inches)	30
Approx. shipping wt. (lbs.)	37
Power/Ratings	
KW rating @ 240V	7.6
208V	5.7
Amps @ 240V	40
208V	30

\*SS = Stainless Steel, WW = White on white, CC = Bisque on bisque, BB = Black on black.

## Dimensions (in inches)



Model	Overall			Cutout		To edge of front counter (min.)
	W	D	H	E	F	G
JP346WM/ CM/BM	29-3/4	21-3/8	3-1/4	28-1/2	19-5/8	2-1/2
JP346SM	29-7/8	21-1/2	3-1/4	28-1/2	19-5/8	2-1/2



## JGP328SEK GE 30" gas cooktop

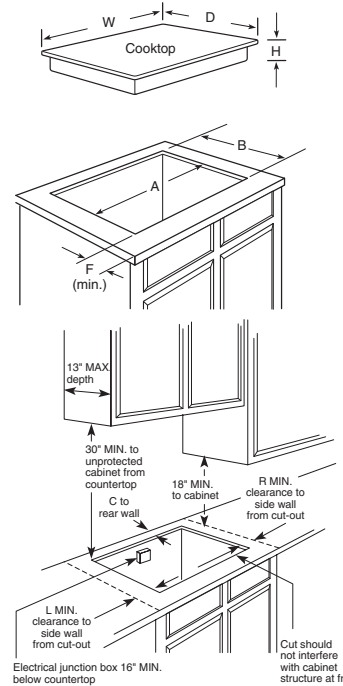
- Deep recessed cooktop
- Sealed cooktop burners
- Precise simmer burner
- Continuous grates
- Dishwasher-safe grates and knobs

## 30" built-in gas cooktops

GE	
	JGP328SEK JGP328WEK JGP328CEK JGP328BEK
Features	
Cooktop burners	4 sealed
All purpose burner(s)	(3) 9.5
000's BTUs	150° simmer
Precise Simmer burner(s)	(1) 5.0
000's BTUs	140° simmer
Electronic pilotless ignition	●
Cooktop surface	Deep stainless Deep porcelain
	Black Grey Taupe Black
Cooktop grates	
Continuous grates	●
Dishwasher-safe grates and knobs	●
	Stainless White Bisque Black
Control panel	
Appearance	
	SS WW CC BB
Color appearance*	
Weights & Dimensions	
Cooktop width (in inches)	30
Approx. shipping wt. (lbs.)	44
Power/Ratings	
Gas cooktop electrical rating	120V, 60Hz, 5A
Burners (000's/BTUs):	(3) 9.5/9.1
Natural Gas/LP Gas†	(1) 5.0/5.0

\*SS = Stainless Steel, WW = White on white, CC = Bisque on bisque, BB = Black on black.

†A set of LP orifices is included with each cooktop for LP conversion. Factory set for natural gas.



Model	Overall			Cutout			Minimum spacing to nearest combustible wall			To edge of front counter (min.)
	W	D	H	A	B	C	L	R	F	
JGP328	30	21	3-3/16	28-1/2	19-5/8	2-1/4	3-3/4	6	2-1/2	



**JV348L/347H**  
GE 30" deluxe hood

- Convertible venting - vented/non-vented
- Vertical or rear exhaust
- Variable 3 speed fan control
- Cooktop light
- Removable grease filter
- Round or rectangular ducting



**JN327**  
GE 30" standard hood

- Non-vented
- Vertical or rear exhaust
- Variable two-speed fan control
- Cooktop light
- Removable grease filter
- Round or rectangular ducting

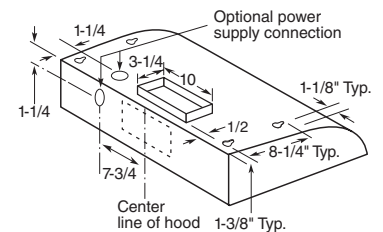
Hoods

	GE	
	Deluxe	Standard
30" Width	JV348L JV347H	JN327H
<b>Features</b>		
Two-speed fan control		•
Three-speed fan control	•	
Vertical exhaust (CFM)	200	
Rear exhaust (CFM)	180	
Damper included (rectangular)	•	
Optional damper accessory (round)	JXDA22	
Sones rating:		
Top exhaust	6.0	
Rear exhaust	7.0	
Removable grease filters	Disposable 1-pc. filter†	Disposable 1-pc. filter†
Filter size (sq. in.)	90	90
Cooktop light(s)*	1	1
3-1/4" x 10" rectangular duct	•	
7" round duct	•	
Non-vented	optional	•
<b>Appearance</b>		
Color appearance**	SS WW/CC/BB	WW/CC/BB
<b>Weights &amp; Dimensions</b>		
Approx. shipping wt. (lbs.)	20	19
<b>Power/Ratings</b>		
Current rating amps @ 120V	20	2.5

\*Light bulbs not furnished. Light cover not included on JN327H.  
\*\*SS = Stainless steel, WW = White on white, CC = Bisque on bisque, BB = Black on black.  
† WB02X10700 charcoal filter is shipped with models JN327 and JV347. WB2X8391 grease filter is shipped with model JV348 and JV347. Replacement grease filters and replacement charcoal filters (WB02X10700) are available for additional cost. Call toll-free 800.626.2002.

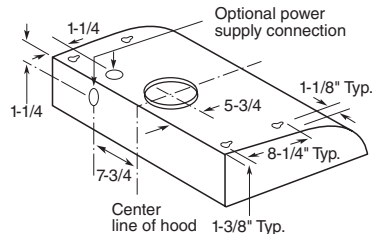
**1 Models JV348L and JV347H\***

\*JV348L and JV347H—Refer to this drawing for rectangular exhaust option. Refer to drawing 2 for round exhaust option. Exhaust outlet connects to 3-1/4" x 10" rectangular duct. Vent top or rear. Includes rectangular damper.



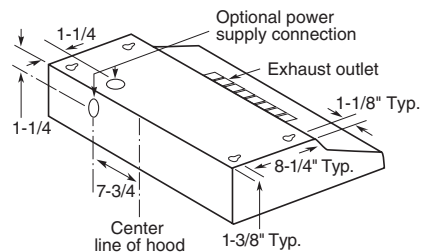
**2 Models JV348L and JV347H\***

\*JV348L and JV347H—Refer to this drawing for round exhaust option. Refer to drawing 1 for rectangular exhaust option. Exhaust outlet connects to 7" diameter duct. Vent top only. Round damper accessory JXDA22 available at additional cost.



**Model JN327**  
**Dimensions (in inches)**

Exhaust outlet connects to 3-1/4" x 10" rectangular duct. Vent top or rear. Includes rectangular damper.



## GE Profile Advantium® above-the-cooktop ovens



### SCA2001/2000

#### GE Profile Advantium 240V above-the-cooktop oven

- Speedcook technology – up to 8 times faster than a conventional oven
- Speedcook oven
- Sensor microwave oven
- Over 100 preprogrammed recipes
- Auto and Time Defrost
- Grill tray



### SCA1001/1000

#### GE Profile Advantium 120V above-the-cooktop oven

- Speedcook technology – up to 4 times faster than a conventional oven
- Speedcook oven
- Traditional oven\*
- Sensor microwave oven
- Warming oven\*
- Over 100 preprogrammed recipes
- Auto and Time Defrost

## GE Profile and GE® microwave ovens



### PVM1870DM/SM, PNM1871SM\*\*

#### GE Profile Spacemaker 1.8 cu. ft. sensor oven

- 1.8 cu. ft. capacity, 1100 watts†
- CircuWave™ 1100 cooking system
- Sensor cooking controls
- Melt and 1-lb. Quick Defrost features
- Full-width active hidden vent
- 14-1/4" recessed turntable with On/Off
- Two removable oven racks



### JVM1850DM/SM, JNM1851DM\*\*/SM\*\*

#### GE Spacemaker® 1.8 cu. ft. sensor oven

- 1.8 cu. ft. oven capacity, 1100 Watts†
- Circuwave 1100 cooking system
- Sensor cooking controls
- 1-lb. Quick Defrost
- 14-1/4" recessed turntable with on/off
- Four-Speed+, 300-CFM vortex venting system with boost
- Two removable oven racks



### JVM1750DM/SM

#### GE Spacemaker 1.7 cu. ft. sensor oven

- 1.7 cu. ft. oven capacity, 1000 watts†
- Sensor cooking controls
- Auto and time defrost
- Turntable on/off
- Two-speed, 300-CFM venting system
- Removable oven rack with two positions



### JEM25

#### GE Spacemaker II™ 1.0 cu. ft. oven

- Compact 1.0 cu. ft. oven capacity, 800 watts†
- Optional undercabinet mounting kit available
- Convenience cooking controls
- Auto and time defrost
- Turntable
- Child lockout
- Instant on controls

## GE Profile Advantium above-the-cooktop ovens

		GE Profile	
		SCA2001KSS SCA2000FWW SCA2000FBB	SCA1001KSS SCA1000HWW SCA1000HCC SCA1000HBB
<b>Features</b>			
Family-size oven		●	●
Stainless steel oven interior		●	●
Cooking modes	Speedcook	up to 8 times	up to 4 times
	Traditional oven		●
Oven controls	Microwave oven	●	●
	Warming		●
Oven controls	Controls	Dial & buttons	Dial & buttons
	Electronic scrolling display	●	●
	Preprogrammed menu items	over 100	over 100
	Help pad	●	●
	Demo mode	●	●
	Interior oven light	●	●
	Beeper sound level control	4 levels	4 levels
	Variable scroll speed	5 speeds	5 speeds
	Custom Recipe Saver	●	●
	Cooking complete reminder	●	●
Child lockout	●	●	
High capacity cooktop vent fan	2 speed	2 speed	
Full-view cooktop lighting	●	●	
Programmable night light	●	●	
Microwave oven features			
Sensor		●	●
Defrost		●	●
Microwave power output watts		950	900
300 CFM vent fan		●	●
<b>Appearance</b>			
Color appearance		Stainless steel White Black	Stainless steel White Bisque Black
New Profile sculptured handle		●	●
<b>Weights &amp; Dimensions</b>			
Overall oven interior dimensions (in inches)	Height	8-13/32	8-7/32
	Width	18-29/32	21-3/32
	Depth	13-19/32	14-3/32
Overall dimensions (in inches)	Exterior height (front)	16	16
	Exterior height (rear)	16-13/32	16-13/32
	Exterior width	29-7/8	29-7/8
	Exterior depth (not including handle)	15-1/4	15-3/8
	Approx. shipping weight (lbs.)	101	95
<b>Power/Ratings</b>			
Input volt/hertz		240V/60Hz	120V/60Hz
Input amps/watts (max)		30A/6.3KW-total	15A/1.7KW-total
<b>Accessories</b>			
Cookbook		●	●
Cooking guide		●	●
Grill tray		●	●
Cooking tray		●	●
Microwave tray		●	●
Recirculating charcoal filter kit (opt.)		JX81A	JX81A JX41 JX40WH
Filler panel kit (opt.)		JX41	JX41
<b>Warranty</b>			
Limited one-year in-home warranty*		●	●
Limited five-year magnetron warranty*		●	●

\*See written warranty for details.

### Overall exterior dimensions (in inches)

Model	W	D	H	H (Rear)
SCA2001/2000	29-7/8	15-1/4	16	16-13/32
SCA1001/1000	29-7/8	15-3/8	16	16-13/32
PVM1870/PNM1871	29-7/8	15-1/4	16	16-13/32
JVM1850/JNM1851	29-7/8	15-1/4	16	16-13/32
JVM1750	29-7/8	15-1/4	16	16-13/32
JEM25	23-25/32	12-9/32	11-3/16	-

This information is not intended to be used for installing unit described. Before installing, consult installation instructions packed with product/kit for current dimensional data.

## GE Profile and GE microwave ovens

		GE Profile	GE		
		PVM1870SM PNM1871SM PVM1870DM	JVM1850SM JVM1850DM JNM1851SM* JNM1851DM*	JVM1750SM JVM1750DM	JEM25DM
<b>Capacity</b>					
Oven cavity (cu. ft.)		1.8	1.8	1.7	1.0
<b>Features</b>					
Watts (IEC-60705 test procedure)		1100	1100	1100	800
Electronic touch controls		●	●	●	●
SmartControl system w/interactive display		●	●	●	
Scrolling display		2-line	2-line	1-line	
Clock and AM/PM pad		●	●	●	
Variable scroll speed		●	●	●	
Help pad		●	●	●	
Concurrent programming		●	●	●	
Bilingual display (English/Spanish)		●	●		
Sensor controls	Beverage	●	●	●	
	Chicken/Fish	●			
	Popcorn	●	●	●	
	Potatoes	●	●	●	
	Reheat	●	●	●	
	Vegetables	●	●	●	
Convenience controls	Beverage				●
	Popcorn				●
	Reheat				●
	Snacks				●
	Vegetables				●
Cook				●	
Custom pads		●			
Express Cook (1-6 min.)		●	●	●	●
Instant On controls		●	●	●	●
Time cook		I & II	I & II	I & II	I & II
Add 30 seconds		●	●	●	●
Auto/Time defrost		●/●	●/●	●/●	●/●
1 lb. Quick Defrost		●	●		
Melt		●			
Power levels		10	10	10	10
Delay Start/Reminder			●/●	●/●	●/●
Cooking system		CircuWave 1100	CircuWave 1100	CircuWave	
Turntable		Recessed	Recessed	●	●
Turntable On/Off		●	●	●	●
Interior Lighting		●	●	●	●
Cooktop lighting		●	●	●	●
Programmable night light		●	●	●	
Timer On/Off		●	●	●	
Cooking complete reminder		●	●	●	●
Child lockout		●	●	●	●
300-CFM exhaust fan/Boost		4-speed / ●	4-speed / ●	2-speed / -	
<b>Appearance</b>					
Color appearance**		SS WW/CC/BB	SS WW/CC/BB	SS WW/CC/BB	WW/BB
Case color		White/Bisque/Black	White/Bisque/Black	White/Bisque/Black	White/Black
Sculptured handle		●			
Big view window		●			
<b>Weights &amp; Dimensions</b>					
Overall oven interior dimensions WxHxD (in inches)		21-29/32 x 9-1/2 x 14-19/32	21-29/32 x 9-1/2 x 14-19/32	20-1/4 x 9-1/4 x 14-13/32	16-1/2 x 7-7/16 x 11-1/4
Approx. shipping weight (lbs.)		68	68	67	40
<b>Power/Ratings</b>					
Input Volt/Hertz		120V/60Hz	120V/60Hz	120V/60Hz	120V/60Hz
Input Amps/Watts (max)		15A/1.58KW	15A/1.58KW	15A/1.58KW	11.5A/1.3KW
<b>Accessories</b>					
Cooking guide label		●	●	●	●
Oven rack(s)		2 (2 positions)	2 (2 positions)	1 (2 positions)	
Recirculating charcoal filter kit (opt.)		JX81B	JX81B	JX81A	
Optional hanging kit					JXA019K***
Optional filler panel kit / Built-in kit (optional for 36" installation)		JX52BL JX52BL JX52WH/-/JX52BL	JX52BL/WH	JX48BL/WH	JX827DMWW/ JX827DMBB
<b>Warranty</b>					
Limited one-year in-home warranty†		●	●	●	●
Limited five-year magnetron warranty		●			

\*Non-vented model.

\*\*SS = Stainless steel, WW = White on white, CC = Bisque on bisque, BB = Black on black.

\*\*\*JXA019K is available at additional cost.

†See warranty for details.

# GE Profile™ and GE® dishwashers



PDW7880N



## PDW7880N GE Profile built-in dishwasher



- Giant tub with maximum capacity nylon racking
- Four-position adjustable upper rack
- 4 utility shelves with StemSafe™ in upper rack
- 100% fold-down tines in lower rack
- Light-touch electronic controls with 6 status lights
- Countdown display with 1-9-hour Delay Start
- Glasses selection



## GLD4550N GE tall tub built-in dishwasher



- CleanSteel™ full-length flat door
- Electronic controls with 4 cycles/5 options
- Giant tub with super capacity racking
- 6-level BrilliantClean™ towerless wash system
- HotStart™ option
- QuietPower™<sup>3</sup> sound package
- 100% triple water filtration



## GSD3300N GE built-in dishwasher



- Trimless door design
- New PowerScrub™ wash system
- 5 wash levels with PowerShower
- HotStart™ option
- TouchTap™ controls
- 100% water filtration
- Piranha™ hard food disposer

GE Profile	
	PDW7880NSS PDW7800NWW PDW7800NCC PDW7800NBB
ENERGY STAR®	●
<b>Features</b>	
Tub and door liner	PermaTuf®
Giant tub	●
Front appearance	Contour door
Upscale flush design	●
Full-length door design	One-piece color wrap
Wash system	BrilliantClean
Wash arms	3 direct-feed
Wash levels	6-towerless
Water filtration	100% triple with ExtraFine™ filter
Dual pumps and motors	●
Hard food disposer	Piranha
Sensor	CleanSensor™
Automatic temperature control	●
Rinse aid dispenser	w/indicator & adjust.
Electronic controls	Light-touch
● Cycle progress indicators	Countdown display w/6 status lights
Touchpads	12
Selections/Enhancements	7/6*
Last cycle memory	●
Selections	●
Anti-bacterial (NSF**)	●
Cookware	●
Normal Wash	●
China/Crystal	●
Glasses Cycle	●
SpeedCycle (wash & dry)	●
Rinse Only	●
Enhancements	●
Delay Start	1-9-hour
Hi-Temp Wash	Added heat
Hi-Temp Rinse	Auto w/added heat
PreWash	●
Heated Dry	●
HotStart™	Automatic
Child lock	●
<b>Racking</b>	
Maximum capacity nylon racking	White
Adjustable upper rack with CleanTip tines	4-position deep-tiered 4 sets with 2 multi-position, upper; 100% lower
Fold-down tine flexibility	●
Utility shelves	4 w/StemSafe upper
Silverware basket	3-pc. with ExtraBasket™
Hard countertop installation Latch	Included Squeeze
<b>DryIndex</b>	
Calrod® heating element	Multi-wattage
Convection airflow	●
<b>Quiet</b>	
Sound insulation package	QuietPower <sup>4</sup> – 54dBA
Tub insulation	ThinInstall Plus
Door insulation	Mastic and insulation
QuietPower motor	●
ActiveVent system	●
Tub collar trim	●
Electronic control system	●
<b>Appearance</b>	
Colors available***	SS, WW, CC, BB
<b>Weights &amp; Dimensions</b>	
Height w/legs retracted (in.)	34
Height w/legs removed (in.)	33-13/16
Overall width (in.)	24
Overall depth (in.)	24-3/4†
Approx. shipping weight (lbs.)	90

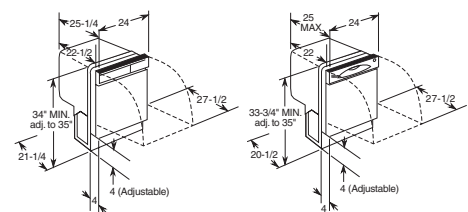
\*Sensor controlled.  
\*\*Certified by National Sanitation Foundation.  
\*\*\*SS = Stainless steel, WW = White on white, CC = Bisque on bisque, BB = Black on black.  
†Add 1/2" for deepest part of contour door.

### Electrical rating

Voltage AC	120
Hertz	60
Total connected load amperage	6.2
Calrod® heater watts	500
For use on adequately wired 120-volt, 15-amp circuit having 2-wire service with a separate ground wire. This appliance must be grounded for safe operation.	

GE	
	GLD4560NSS GLD4550NCS GLD4500NWW GLD4500NCC GLD4500NBB
	GSD3360NSS GSD3300NWW GSD3300NCC GSD3300NBB
ENERGY STAR	●
<b>Features</b>	
Tub and door liner	PermaTuf
Giant tub	●
Front appearance	Flat door
Full-length door design	●
Wash system	BrilliantClean
Wash arms	3 direct-feed
Wash levels	6-towerless
Water filtration	100% triple w/ ExtraFine filter
Dual pumps and motors	●
Hard food disposer	Piranha
Rinse aid dispenser	w/indicator and adjustment
Control type	Electronic
Cycle progress indicators	1 "Clean"
Touchpads	9
Cycles/Options	4/5
Last cycle memory	●
<b>Cycles</b>	
Pots & Pans	●
Heavy Wash	●
Normal Wash	●
China/Crystal	●
Rinse Only	●
Options	●
Delay Start	2/4-hour
Heated Dry	●
HotStart	●
Hot Wash	●
Racking	Super capacity
Upper rack	Super
Lower rack	Super
Utility shelves	2
Silverware basket	1-pc. w/3 silver cell covers
Hard countertop installation Latch	GPF65 Squeeze
<b>DryIndex</b>	
Calrod heating element	Multi-wattage
Convection airflow	●
<b>Quiet</b>	
Sound insulation package	QuietPower <sup>3</sup> – 57dBA
Tub insulation	●
Mastic	●
QuietPower motor	●
<b>Appearance</b>	
Colors available**	SS, CS, WW, CC, BB
<b>Weights &amp; Dimensions</b>	
Height w/legs retracted (in.)	34
Height w/legs removed (in.)	33-3/4
Overall width (in.)	24
Overall depth (in.)	25 max.
Approx. shipping weight (lbs.)	90
<b>Accessories</b>	
1/4" panel kit	GPF525W/C/B
3/4" panel kit	GPF575

### GE Profile and GE tall tub dimensions (in inches)







## WCRE6270H GE washer

- ENERGY STAR qualified
- 3.5 cu. ft. king-size capacity
- HydroWave™ wash system
- Stainless steel basket
- 5 wash/spin speed combinations
- RainShower™ rinse system
- 31 wash cycles
- 6 wash/rinse temperatures
- Variable water levels
- PerfectTemp™ temperature system

## WWSE5240G (not shown)

- 3.2 cu. ft. super capacity
- Rotary electronic controls with cycle status lights
- 5 wash/spin speed combinations
- 24 wash cycles
- PerfectTemp
- 4 water levels

## WCSR4170G (not shown)

- 3.2 cu. ft. super capacity plus
- 4 wash/spin speed combinations
- 17 wash cycles
- 4 wash/rinse temperatures
- 4 water levels

## DRSR483EG/GG GE dryer

- 7.0 cu. ft. super capacity
- Stainless steel drum
- 8 dry cycles
- 4 heat selections
- Variable end-of-cycle signal
- Wrinkle care
- Interior dryer light

## DBSR463EG/GG (not shown)

- 7.0 cu. ft. super capacity
- Auto dry
- DuraDrum™ interior
- 4 heat selections
- Interior dryer light
- 6 dry cycles
- Quiet-by-Design™
- End-of-cycle signal (fixed)

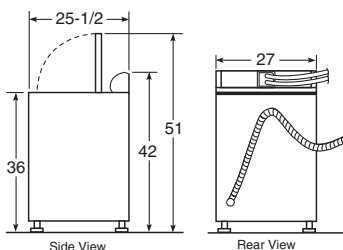
## DJXR433EG/GG (not shown)

- 6.0 cu. ft. extra-large capacity
- 3 dry cycles
- 4 heat selections

	GE		
	WCRE6270H	WWSE5240G	WCSR4170G
<b>Capacity</b>			
Capacity cu. ft.	3.5 King-size	3.2 Super Plus	3.2 Super Plus
ENERGY STAR	●		
<b>Controls</b>			
Rotary electronic	●	Rotary	Rotary
Status indicators	LED	LED	
HydroWave	●	●	●
Water temp system	PerfectTemp	PerfectTemp	
Wash/rinse temps	6	4	4
Water levels	Variable	4	4
<b>Wash system</b>			
Wash basket	Stainless steel	ExtrAction™	ExtrAction
Wash mechanism	GentlePower™	GentlePower	GentlePower
Wash/spin combinations	5	5	4
<b>Drive system</b>			
Maximum spin speed	630 RPM	630 RPM	630 RPM
<b>Dispensers</b>			
Bleach/Fabric softener	● / ●	● / ●	● / ●
<b>Wash cycles</b>			
Number of cycles	27	24	17
<b>Special cycles</b>			
Prewash			●
2nd rinse	●	●	●
Extended spin	●	●	
Rinse & spin (Quick rinse)	●	●	●
Spin only	●	●	●
Fabric softener	2		
<b>Additional features</b>			
Quiet performance	Deluxe	Quiet-by-Design	Quiet-by-Design
Color lid instructions	●	●	●
<b>Appearance</b>			
Backsplash color	Silver	Silver	White
Colors available*	WW, CC	WW	WW, CC
<b>Weights/Dimensions</b>			
Dimensions** (HxWxD in inches)	27 x 42 x 25-1/2	27 x 42 x 25-1/2	27 x 42 x 25-1/2
Approx. shipping weight (lbs.)	175	155	160

\*WW = White on white, CC = Bisque on bisque.  
\*\*Height to top of control panel, 51" to top of open lid.

### Washer dimensions (in inches)



### Washer specifications

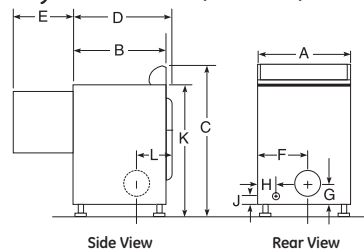
**Circuit Requirements:**  
An individual, properly grounded branch circuit, with a three-prong grounding-type receptacle, protected by a 15- or 20-amp circuit breaker or time-delay fuse is required.

**Electrical Rating:**  
115V, 60Hz, 10A

	GE			
	Electric	DRSR483EG	DBSR463EG	DJXR433EG
	Gas	DRSR483GG	DBSR463GG	DJXR433GG
<b>Capacity</b>				
Capacity cu. ft.		7.0 Super	7.0 Super	6.0 Extra-large
<b>Controls</b>				
Rotary	●	●	●	●
Heat selections		4	4	4
<b>Dry system</b>				
Dryer drum		Stainless steel	DuraDrum	DuraDrum
<b>Signals</b>				
End-of-cycle		Variable	Fixed	
<b>Dry cycles</b>				
Number of cycles		8	6	3
Cottons		●	●	●
Easy care		●	●	●
Damp dry		●	●	
Time control		80 min.	80 min.	60 min.
<b>Special cycles</b>				
Dewrinkle		●	●	
Quick Fluff (no heat)		●	●	
<b>Additional features</b>				
Quiet performance		Quiet-by-Design	Quiet-by-Design	Quiet-by-Design
Dryer interior light		●	●	
<b>Appearance</b>				
Backsplash color		Silver	White	White
Colors available*		WW, CC	WW	WW, CC
<b>Weights/Dimensions</b>				
Approx. shipping weight—elec. (lbs.)		119	116	112
Approx. shipping weight—gas (lbs.)		125	121	115

\*WW = White on white, CC = Bisque on bisque.

### Dryer dimensions (in inches)



	7.0 cu. ft. capacity	6.0 cu. ft. capacity
A	27	27
B	25-1/2*	25-1/2*
C	42	42
D	28-1/4	25-3/4
E	23-1/2	23-1/2
F	11-1/2	11-1/2
G	3-1/2	3-1/2
H	2	2
J	2-1/2	2-1/2
K	36	36
L	8-1/2	5-1/4

\*24-1/2" from edge of side panel to the front. 25-1/2" from front to edge of end caps.

### Dryer specifications

#### Circuit Requirements:

Electric: An individual, properly grounded branch circuit, protected by a 30-amp circuit breaker or a time-delay fuse is required.

**Electric Dryer Rating:** 240V, 5600W, 24A, 60Hz or with 208V, 4400W, 22A, 60Hz

Gas: An individual, properly grounded branch circuit, with a three-prong grounding-type receptacle, protected by a 15- or 20-amp circuit breaker or a time-delay fuse is required.

#### Gas Dryer Electric Rating:

120V, 60Hz, 6A

**Installation Information:** Before installing, consult installation instructions packed with product for current dimensional data.

# GE unitized washers and dryers



**WSM2700H** Electric  
**WSM2780H** Gas  
 GE washer/dryer

**Washer features**

- 2.7 cu. ft. extra-large capacity
- 3 wash cycles
- 3 wash/rinse temperature options
- 3 water levels

**Dryer features**

- Automatic dry control
- 4 dry cycles

**WSM2420D** Electric  
**WSM2480D** Gas  
 GE washer/dryer

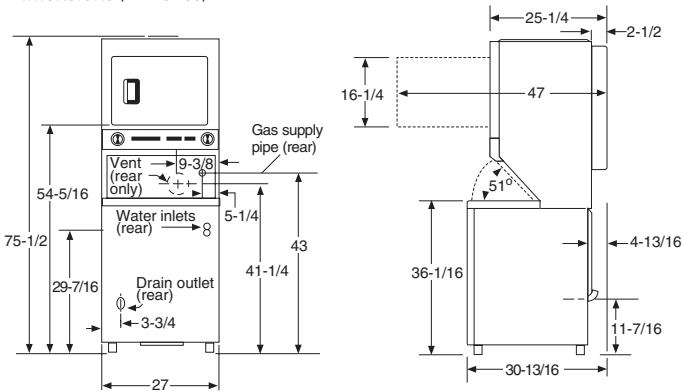
**Washer features**

- 1.5 cu. ft. large capacity
- 3 wash cycles
- 3 wash/rinse temperature options
- 3 water levels

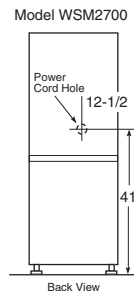
**Dryer features**

- Automatic dry control
- 4 dry cycles

**Models WSM2700H and WSM2780H**  
**Dimensions (in inches)**

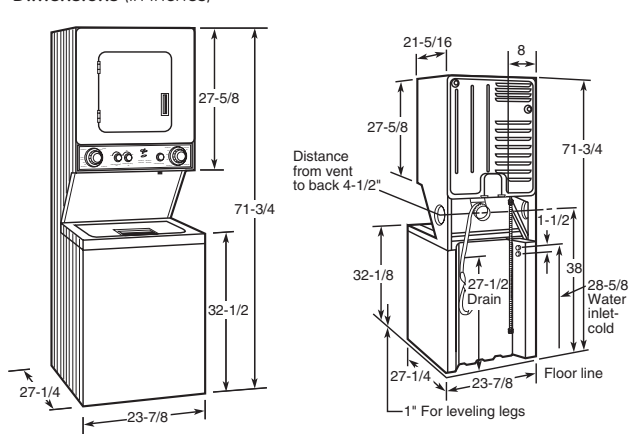


**Power cord location**

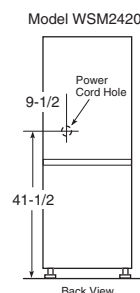


**Installation Information:** Before installing, consult installation instructions packed with product for current dimensional data.

**Models WSM2420D and WSM2480D**  
**Dimensions (in inches)**



**Power cord location**



**GE**

	GE			
	WSM2700H		WSM2420D	
Electric	WSM2780H		WSM2480D	
Gas	Washer	Dryer	Washer	Dryer
<b>Capacity</b>				
Capacity	X-large	X-large	Large	Large
<b>Features</b>				
Wash/spin speed combinations	1		2	
Wash/rinse temperatures	3		3	
Water levels	3		3	
Number of wash cycles	3		3	
Regular	●		●	
Perm. Press	●		●	
Delicates	●		●	
Unbalanced load control	●		●	
Lint filter	●		●	
<b>Dryer</b>				
<b>Features</b>				
Automatic dry control		●		●
Number of dry cycles		4		4
Auto Regular		●		●
Auto Perm. Press				●
Delicates		●		●
Timed		●		●
Air Fluff		●		●
Control location		Mid-band		Mid-band
Exhaust options		Rear		Rear/Sides
<b>Appearance</b>				
Colors available*		WW WW		WW WW
<b>Weights/Dimensions</b>				
Dimensions (HxWxD in inches)	75-1/2 x 27 x 30-13/16**		71-3/4 x 23-7/8 x 27-1/4**	
Approx. shipping wt. (lbs.)		300		238

\*WW = White on white  
 \*\*Depth dimension assumes water hook-up is recessed in the wall.  
 Note: The third prong on the WSM2780H plug configuration is a flat spade type rather than a typical round probe. It requires a matching wall outlet.



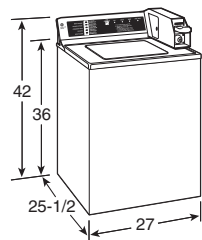
**WSLP1100H**  
GE washer

- Electronic one-touch controls with LED read-out
- One-touch load sensing
- 10 wash cycles
- 3 wash/rinse temperatures
- 1 wash/spin speed
- 4 water levels
- Stainless steel basket

GE	
WSLP1100H	
<b>Capacity</b>	
Capacity (cu. ft.)	2.5 extra-large
<b>Features</b>	
Wash/spin speed combinations	1
Wash/rinse temperatures	3
Water levels	4
Number of cycles	10
Cycle countdown	Digital
Regular	
Heavy soil	●
Medium soil	●
Perm. Press	
Medium soil	●
Light soil	●
Delicates	●
Spin only	●
One-touch load sensing	●
Automatic cool down	●
Bleach dispenser	●
Fabric softener dispenser	●
Automatic detergent dispenser	●
Lint filter	2 Removable
Washer lid type	Bi-fold
Quiet pump	●
Easy-roll rollers	●
Unicouple connector	●
Basket material	Stainless steel
<b>Appearance</b>	
Colors available*	WW
<b>Weights/Dimensions</b>	
Circuit requirements	120V/60Hz, 15 or 20 Amps
Dimensions (HxWxD in inches)**	38 x 23-5/8 x 26
Approx. shipping weight (lbs.)	116

\*Colors available: WW = White on white  
\*\*Depth measured from front of control knob

**Washer dimensions (in inches)**



**Circuit Requirements:**  
An individual, properly grounded 15- or 20-amp branch circuit is required.  
**Electrical Rating:** 115V, 60Hz  
**Note:** Coin slide or coin drop, coin vault, and locks for cover and meter case access door are not provided with washer.

**Installation Information:** Before installing, consult installation instructions packed with product for current dimensional data.



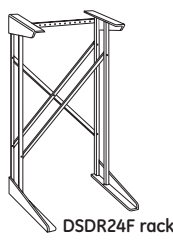
**DSKS433EB**  
GE dryer

- Auto dry
- 4 heat selections
- 3 dry cycles
- Rotary mechanical controls
- Upfront lint filter

GE	
DSKS433EB	
<b>Capacity</b>	
Capacity (cu. ft.)	3.6
<b>Features</b>	
Dry control	Automatic
Heat selections	4
Number of dry cycles	3
Auto. Perm. Press & Delicate	●
Auto Reg.	●
Timed Regular (min.)	140
Air Fluff (min.)	(Heat selection)
Separate start switch	●
Control location	Mid-band
Lint filter	Upfront
<b>Appearance</b>	
Colors available*	WW
<b>Weights/Dimensions</b>	
Exhaust options**	4-way
Circuit requirements	240V/208V*** 60Hz, 30 Amps
Power cord	No Cord
Dimensions (HxWxD in inches)	33-1/4 x 23-7/8 x 24-1/2
Wall-mount kit (available at additional cost, applies only to stationary models)	WMK-35
Approx. shipping weight (lbs.)	108

\*Colors available: WW = White on white  
\*\*Shipped exhausted through the top.  
\*\*\*Rear-mounted outlet, 60 Hertz, 10 Amp. Approved for use with washer/dryer stack rack DSDR24F.

**Circuit requirements:** An individual, properly grounded branch circuit of the proper voltage and frequency as specified on the rating plate, with no other appliances or fixtures in circuit, is required.



**WNRD2050G**  
GE washer

- 3.5 cu. ft. capacity
- Stainless steel basket
- 5 wash cycles
- 4 water levels
- 3 wash/spin speed combinations
- Electronic one-touch controls with LED readout
- Bleach dispenser

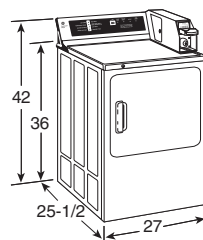
GE	
WNRD2050G	
<b>Capacity</b>	
Capacity (cu. ft.)	3.5 stainless steel
<b>Features</b>	
Motor	2-speed
Wash/spin speed combinations	3
Wash/rinse temperatures	3
Water levels	4
Digital cycle countdown	●
Number of wash cycles	5
White cottons	●
Colored cottons	●
Bright colors	●
Permanent Press	●
Delicate	●
Spin only	●
Bleach dispenser	●
Quiet performance	Deluxe quiet
Lid instructions	●
LED indicators	●
<b>Appearance</b>	
Colors available	White
Braille kit	14-D242
<b>Weights/Dimensions</b>	
Approx. shipping weight (lbs.)	160

**DNCD450EG Electric**  
**DNCD450GG Gas**  
GE dryer

- 7.0 cu. ft. capacity
- 5 dry cycles
- 4 heat selections
- Auto dry
- Cycle countdown
- Deluxe quiet package
- LED indicators
- Lockable lint filters
- Reverse-a-Door

GE dryer	
DNCD450EG/GG	
<b>Capacity</b>	
Capacity (cu. ft.)	7.0
<b>Features</b>	
Dry cycles	5
Cottons/high heat	●
Mixed loads/high heat	●
Perm. press/medium heat	●
Knits/low heat	●
Delicates/extra low heat	●
Temperatures	4
Air dry	●
Digital cycle countdown	●
Quiet performance	Deluxe quiet
Lockable lint filter	●
LED indicators	●
Door swing	Reverse-a-Door
Drum material	White DuraDrum
<b>Appearance</b>	
Colors available	White
Braille kit	14-D242
<b>Weights &amp; Dimensions</b>	
Approx. shipping wt. (lbs.)	125

**Dimensions (in inches)**



**Circuit Requirements:**  
**Electric** An individual branch circuit fused for 30 amps is required for each dryer.  
**Electric Dryer Rating:** 240V, 60Hz, 5600W, 24A 208V, 60Hz, 4400W, 22A  
**Gas:** An individual branch circuit fused for 15 or 20 amps is required for each dryer.  
**Gas Dryer Rating:** 120V, 60Hz

GE makes builders' lives easier.

GE gives you all the tools you need to manage and grow your business.



- An industry-leading company committed to customer satisfaction.
- America's #1 preferred appliance brand.\*
- A nationwide network of sales professionals and service technicians wholly dedicated to the builder community. **800.GE.CARES.**

\*GE is the appliance brand most often mentioned among the brands rated as offering the best products and services in America. Source: Harris Poll 2003.



- 24-hour accessibility through award-winning technology
  - [GECustomerNet.com](http://GECustomerNet.com)
  - [GESelectionCenter.com](http://GESelectionCenter.com)
  - [ge.com](http://ge.com)
- GE Answer Center® saves you time by providing answers on product features. **800.626.2000.**



- Project planning made simple with Quick Specs
- Product features and dimensions are faxed to you FREE, wherever and whenever you need them. **800.432.3729.**



**GE Consumer & Industrial**  
Appliances  
General Electric Company  
Louisville, KY 40225  
[ge.com](http://ge.com)

As an ENERGY STAR® partner, GE has determined that the appliances marked with the ENERGY STAR logo meet the ENERGY STAR guidelines for energy efficiency.

Before purchasing an appliance, read important information about its estimated annual energy consumption or energy efficiency rating that is available from your retailer or [ge.com](http://ge.com)

GE has a policy of continuous improvement of its products and reserves the right to change materials and specifications without notice.