



America's Leading Attic Ventilation Company



Attic Ventilation Systems for Tile, Composition and Slate Roofing

Virtually Invisible ■ Maintenance-Free ■ Proven Performance

Master-planned communities, custom homes and multi-family projects
all rely on the proven reliability of O'Hagin's ventilation systems.

(800) 394-3864 www.ohaginvent.com

COMPANY HISTORY

O'Hagin's, Inc. started as a roofing company over 30 years ago. Founded by Carolina and Harry O'Hagin, the company grew from a small shop into an international construction materials manufacturer. Committed to testing, O'Hagin's was one of the first companies to seek and secure testing approvals for attic ventilation products.

Today, O'Hagin's, Inc. has local and national testing approvals and is recognized for its industry-leading efforts in research and development. Currently the company holds over a dozen domestic patents and multiple international patents, with dozens more patent applications pending.

Research and product design represent only half of our story. We are dedicated to providing our partners — architects, builders, distributors, roofing contractors and homeowners — with the finest customer service possible. That's why we still climb on roofs, listen intently to our customers, and seek new ways to improve our products. Our goal is to continue to lead the ventilation industry, while providing the kind of one-on-one, personalized service and support you need to get your jobs done right the first time.

Throughout O'Hagin's history, our mission has remained the same — to provide our customers with quality products, customized service and responsive support.

PRODUCT AND SERVICE ADVANTAGES

Innovative Attic Ventilation Solutions

O'Hagin's, Inc. is known worldwide as a leading designer and manufacturer of top quality, state-of-the-art attic ventilation

solutions. No matter which material you select for your roofing job — from clay or concrete tile to hand-carved slate or composition roofing — there's an O'Hagin's ventilation system right for you.

Products for Professionals, From Professionals

Quality materials and craftsmanship result in rust-resistant, maintenance-free products. As a passive ventilation system, our vents work without motors or moving parts.

O'Hagin's vents are designed to blend into the original architectural plan. We manufacture over 180 different products using over 60 different dies in order to match, as closely as possible, the surrounding roofing products.

Using a patented design, our vents are manufactured to perform without filter media. This is a significant advantage for customers, since filter media can clog over time and require changing, much like heating and air conditioning filters.

Unparalleled Product Warranty

Our entire line of steel vents is backed by our 20-year warranty; our aluminum and copper vents are backed by our industry-leading 50-year warranty. Contact O'Hagin's, Inc. for complete details on our warranty, including limitations and exclusions.

Superior Customer Service

At O'Hagin's, we want your construction project to go smoothly. Whether you're the architect, builder, distributor, roofing contractor or homeowner, you'll get the products, information and service you need — where and when you need them.

Call our Customer Service Team toll-free at **(800) 394-3864**.



BENEFITS OF ATTIC VENTILATION

State-of-the-Art Eave-to-Ridge Ventilation Systems

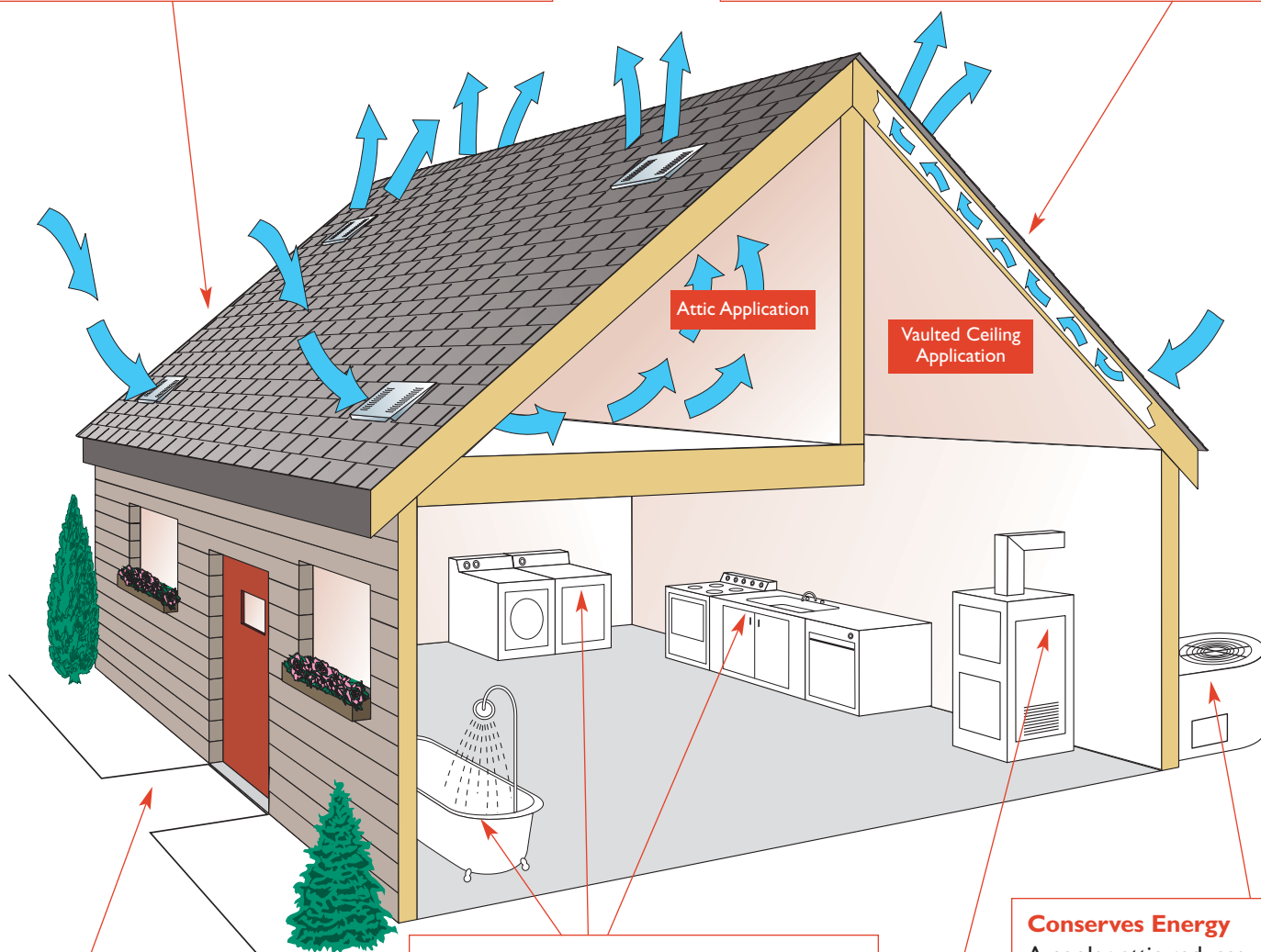
O'Hagin's whole roof ventilation system encourages superior air movement. The eave vents draw in air and cause a natural vacuum effect that forces air out through the upper vents. This passive system encourages the many advantages of natural, ongoing airflow exchange.

Validates the Warranty

Most major tile and shingle manufacturers require adequate attic ventilation to validate their warranties.

Extends the Roof's Life

Ventilation protects attic insulation and rafter cavities from moisture, potentially reducing the risk of mold.



Attic Application

Vaulted Ceiling Application

Reduces Moisture Buildup

Proper attic ventilation removes moisture buildup from inside water sources, extending the life of the underlayment material.

Conserves Energy

A cooler attic reduces the effects of heat migration, lowering air conditioning costs.

Maintain Curb Appeal

When painted to match the roof material, O'Hagin's ventilation systems maintain and enhance architectural aesthetics.

Removes Trapped Gases

Facilitates the removal of hot trapped gases and fumes, a major cause of indoor air pollution, allergies and related health problems.

COMPLYING WITH BUILDING CODES

Nationwide, provisions for required attic ventilation have been part of our building codes for decades. Ongoing research and scientific studies further validate that a properly designed attic ventilation system is an effective method in mitigating the destructive and harmful effects associated with indoor air pollution, condensation, heat migration, ice dams, solar radiation and vapor diffusion. Mold, mildew, fungi growth and wood rot can be significantly reduced with an effective and efficiently designed attic ventilation system.

Although current adopted building codes such as BOCA, CBC, UBC, IBC, IRC and SBCCI contain the basic 1 to 150 ratio, these codes also provide alternative or exception methods as a means of complying with attic ventilation requirements when certain construction conditions or other codes come into conflict with required attic ventilation.

O'Hagin's, Inc. has an entire Pre-Construction Services Team trained to address all attic ventilation issues. Free of charge, O'Hagin's, Inc. will create a complete Attic Ventilation Analysis Report calculating the adequate number of vents based on known local building codes and suggest installation locations. Call our Customer Service Team at **(800) 394-3864**.

CALCULATING NET FREE VENTILATION AREA AND REQUIRED VENTILATORS

The 1 to 150 ratio for required attic ventilation provided in the attic ventilation code section is computed as follows:

1. Square Feet of Attic Space / 150 = Square Feet of Net Free Ventilation Required (SF/NFVA)
2. SF/NFVA X 144 = Square Inches of Net Free Ventilation Required (SI/NFVA)
3. SI/NFVA Required / Square Inches of NFVA for Selected Ventilator = Number of Ventilators Required.

Note: Converting SF/NFVA to SI/NFVA is customarily done for ease in determining ventilator quantities as ventilators are stated in SI/NFVA.

The alternate or exception methods permitted in the adopted codes vary and contain subtle differences from one code to another and need careful consideration. Compliance with attic ventilation code requirements should always be verified at the local governing level to ensure that conditions such as structural, fire codes or climatic conditions are carefully considered and complied with in the design of the attic ventilation system.

For any assistance needed with your attic ventilation system design requirements, please contact our Customer Service Team by calling toll-free at **(800) 394-3864**.

EXTENSIVE PRODUCT LINE FITS EVERY STYLE OF ROOF

Whether you're installing tile, shingles, slate or any other composite roofing material, O'Hagin's has a vent specifically suited for every roofing job.

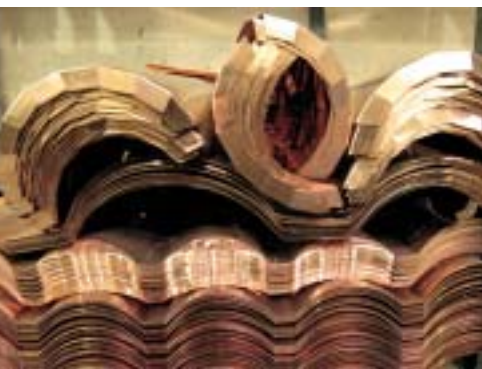
Our individual dies are designed to match all styles of tile from every manufacturer. We produce more than 60 profile-specific styles, each available in galvanized steel, aluminum, or copper. All models are thoroughly tested, easy to install, and remain completely maintenance-free.

O'Hagin's vents for clay and concrete tiles are a two-piece system competitively priced, easy to install, wind-resistant and include no toxic lead or plastic. O'Hagin's vents use the button lock process — no spot welds — reducing the risk of oxidation and contain no plastic or mastic parts which can crack or fail over time.

O'Hagin's vents are available in 26 gauge, G90 galvanized steel, .032 aluminum or 16 oz copper. Vents are field painted by the roofing contractor to coordinate with the roof tile color.

Our Composition Vent Series supports all styles of shingles and offers a low-profile design that blends into the roofline better than traditional ventilation products.

The Slate Series is designed to work with slate products from around the world.



O'HAGIN'S TAPERED LOW-PROFILE VENTS



SLATE



SHAKE



COMPOSITION

Tapered Low-Profile Vents are available in mill finish galvanized steel, aluminum or copper or in the following pre-painted colors:



BLACK



BROWN



CHARCOAL

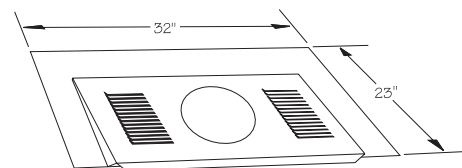


GRAY



WHITE

Actual pre-painted vent colors may differ from photos shown. Please consult dealer for samples.



TAPERED LOW-PROFILE COMPOSITION

NFVA* – 72.0 sq. in. (464.5 sq. cm.)

WEIGHT PER VENT	Lbs	Kg
ALUMINUM .032	4.50	(1.68)
GALVANIZED 26 ga	7.50	(2.80)
COPPER 16 oz	10.50	(3.92)

*Net Free Vent Area.

All weights and measurements are approximate.

Tapered Low-Profile Vent Series: Looks Great, Performs Great.

According to an independent test evaluation report, the O'Hagin's tapered low-profile composition vent provides 72 square inches of Net Free Ventilation Area (NFVA). Designed to seamlessly blend form and function, the tapered vent provides superior airflow without detracting from the aesthetics of the roofline. The vent is 32 inches wide, 23 inches long and 2 inches high in the front, tapering to blend in with the roof decking at the top.

This model is well constructed with 24, 3-1/2 inch louvers on each side, water diverters and splashguards. Each side has a 4-inch flange with a top flange of 6-1/2 inches. The vent opening is an 11-inch circle with a 1/4-inch screen and 1/2-inch lip.

Pre-Painted Vents Save Time And Money

O'Hagin's, Inc. is proud to provide its popular line of low profile vents for slate, shake or composition roofs with a standard galvanized steel finish, copper, aluminum, or in a selection of colors — black, brown, charcoal, gray and white.

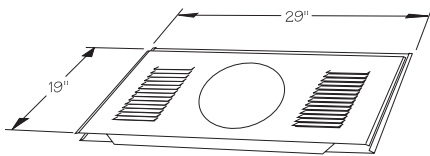
Manufactured using the most technologically advanced application process available, O'Hagin's pre-painted vents provide contractors with the color stability, durability and chalk resistance properties necessary to complete the job correctly — the first time.

VISIT WWW.OHAGINVENT.COM

for more information and color samples on our tapered low-profile vent series.

O'HAGIN'S VENTS FOR CONCRETE TILE ROOFS

CONCRETE "FLAT"

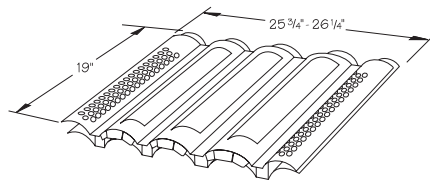


MODEL "FLAT"

NFVA* – 98.75 sq. in. (637.1 sq. cm.)

WEIGHT PER VENT	Lbs	Kg
ALUMINUM .032	4.00	(1.49)
GALVANIZED 26 ga	7.50	(2.80)
COPPER 16 oz	10.50	(3.92)

CONCRETE "M"

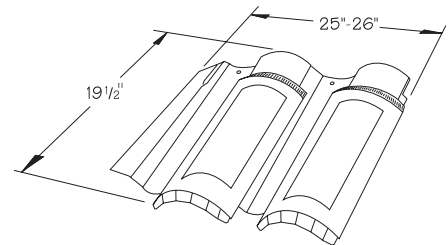


MODEL "M"

NFVA* – 86.25 sq. in. (556.5 sq. cm.)

WEIGHT PER VENT	Lbs	Kg
ALUMINUM .032	4.00 - 4.50	(1.49 - 1.68)
GALVANIZED 26 ga	7.00 - 7.50	(2.61 - 2.80)
COPPER 16 oz	9.00 - 9.50	3.36 - 3.55

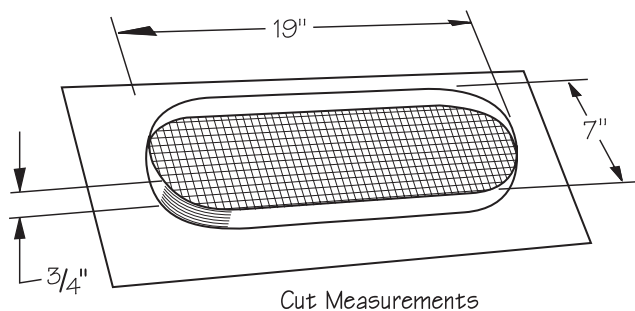
CONCRETE "S"



MODEL "S"

NFVA* – 97.50 sq. in. (629.0 sq. cm.)

WEIGHT PER VENT	Lbs	Kg
ALUMINUM .032	3.25 - 3.75	(1.21 - 1.40)
GALVANIZED 26 ga	6.00 - 6.50	(2.24 - 2.43)
COPPER 16 oz	9.00 - 9.50	(3.36 - 3.55)



PRIMARY VENT - SUBFLASHING

WEIGHT PER VENT	Lbs	Kg
GALVANIZED 26 ga	1.25	(0.47)
COPPER 16 oz	2.00	(0.75)

*Net Free Vent Area.

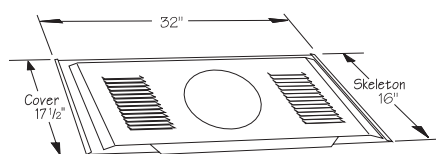
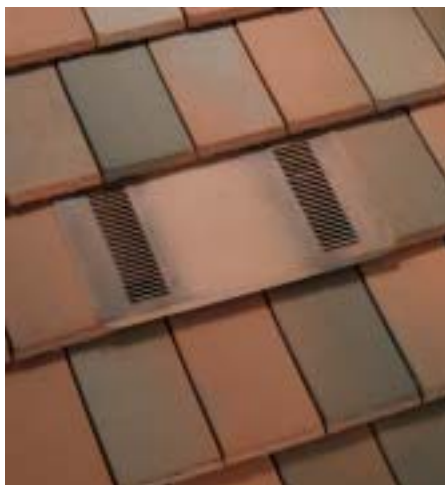
All weights and measurements are approximate.

TECHNICAL SUPPORT

O'Hagin's, Inc. offers free technical support for the selection, design considerations and installation of our roof vents. Call our Customer Service Team toll-free at **(800) 394-3864** or visit www.ohaginvent.com for more information.

O'HAGIN'S VENTS FOR CLAY TILE ROOFS

CLAY "FLAT"

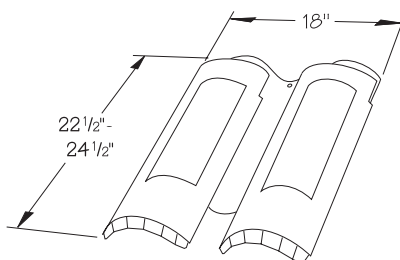


MODEL "FLAT"

NFVA* – 98.75 sq. in. (637.1 sq. cm.)

WEIGHT PER VENT	Lbs	Kg
ALUMINUM .032	4.50	(1.49)
GALVANIZED 26 ga	7.50	(2.80)
COPPER 16 oz	9.50	(3.55)

CLAY "M"

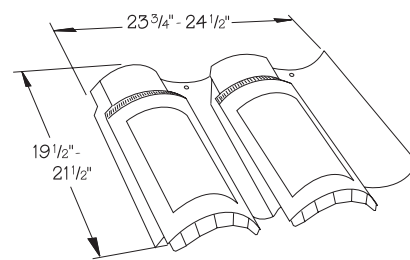


MODEL "M"

NFVA* – 86.25 sq. in. (556.5 sq. cm.)

WEIGHT PER VENT	Lbs	Kg
ALUMINUM .032	3.00 - 3.50	(1.12-1.31)
GALVANIZED 26 ga	7.00 - 7.50	(2.61-2.80)
COPPER 16 oz	9.00 - 9.50	(3.36-3.55)

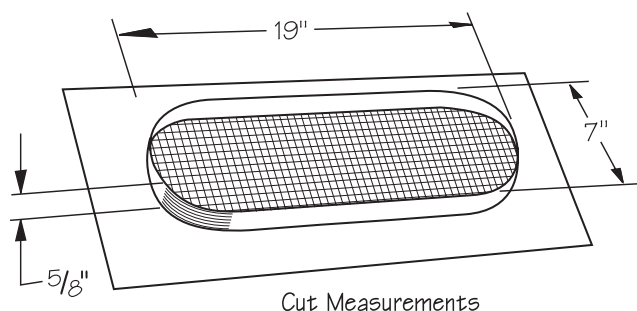
CLAY "S"



MODEL "S"

NFVA* – 97.50 sq. in. (629.0 sq. cm.)

WEIGHT PER VENT	Lbs	Kg
ALUMINUM .032	3.00 - 3.50	(1.12-1.31)
GALVANIZED 26 ga	7.00 - 7.50	(2.61-2.80)
COPPER 16 oz	9.00 - 9.50	(3.36-3.55)



PRIMARY VENT - SUBFLASHING

WEIGHT PER VENT	Lbs	Kg
GALVANIZED 26 ga	1.25	(0.47)
COPPER 16 oz	2.00	(0.75)

*Net Free Vent Area.
All weights and measurements are approximate.

STEP-BY-STEP INSTALLATION INSTRUCTIONS

Contact O'Hagin's for complete step-by-step installation instructions. Call our Customer Service Team toll-free at **(800) 394-3864** or visit www.ohaginvent.com for more information.

TESTING AND CERTIFICATION INFORMATION

O'Hagin's is a recognized leader in attic ventilation testing and design. We have received approvals, testing or acceptance from the following:

- ICC Legacy Report (consolidated BOCA, ICBO, SBCCI)
- SBCCI – ES Report #9650A
- Miami-Dade County – BCCO Notice of Acceptance No. 02-1211.14, Exp. Date 04/14/08 and No. 03-1119.01, Exp. Date 03/04/09
- Florida State Building Code – Approval No. 2576 and No. 2571
- National Certified Testing Laboratories – ASTM E330-90 Report No. 210.2078-1,2,3
- Columbia Research Testing – Net Free Ventilation results
- City of Los Angeles – General Approval, RR #25497
- PRI Technologies – Wind-driven Rain – OHI-001-02-01

Please contact us for full and current testing information.

O'Hagin's vents are manufactured and protected under one or more of the following patents (other U.S. and foreign patents are pending):

- D456,531 • D469,889 • 6,050,039 • 6,447,390
- D457,234 • D479,885 • 6,129,628 • 6,491,579
- D458,391 • D504,172 • 6,354,051 • 7,101,279
- D458,392 • D512,774 • 6,390,914

FREE TECHNICAL SUPPORT SERVICES

For your planning, design, installation, post-installation and client education needs, O'Hagin's offers a range of free services:

Free Pre-Construction Services and Support

- An attic ventilation analysis that calculates the number of vents needed based on known local building codes and offers specific recommendations for placement.
- Consultation services on an individual or group basis.
- Onsite assistance to discuss your needs and create the right solution for your job.

Free Custom Product Design

- Custom ventilation system designs to match unique roofing or architectural challenges.

Free Onsite Installation Instruction

- Onsite training for your field crews on how to install our products.

Free Pre- and Post-Installation Support

- Meetings with owners, consultants, building code officials, or other members of your design and construction team regarding any aspect of our products before or after installation.

PRODUCTS FOR PROFESSIONALS, FROM PROFESSIONALS

At O'Hagin's, we want your construction project to go smoothly. Whether you're the architect, builder, distributor, roofing contractor or homeowner, you'll get the products, information and service you need — where and when you need them. Call our Customer Service Team toll-free at **(800) 394-3864**.

CUSTOM SOLUTIONS FOR ONE-OF-A-KIND PROJECTS

O'Hagin's utilizes state-of-the-art manufacturing techniques to produce its extensive line of ventilation products. From time to time, however, out-of-the-ordinary roofing projects come along. Whether your project requires creating vents to match tiles for a 100-year-old Italian slate roof — or any other architectural challenge — O'Hagin's is the place to call.

With our vast experience and extensive knowledge, we can create an innovative, handcrafted solution to meet even your most unique requirements.

O'Hagin's makes attic ventilation products to support all clay and concrete tiles including those produced by the following manufacturers:

- Altusa • Eagle • Redland
- Auburn • Entegra • Santa Fe
- Bartile • Gladding McBean • Unicrete
- Cedeksa • Hanson/Pioneer • US Tile
- Claymex • Ludowici • Vande Hey Raleigh
- Columbia • MCA • Westile
- Deleo • Monier

Custom vents can be designed for other tiles. The vents are field painted by the roofing contractor to blend with the selected tile color. Contact O'Hagin's at **(800) 394-3864** for use with specific tiles or for detailed installation instructions.



America's Leading Attic Ventilation Company

**CORPORATE OFFICE &
WEST COAST MANUFACTURING FACILITY**
210 Classic Court, Suite 100 • Rohnert Park, CA 94928
Phone (800) 394-3864 • Fax (707) 588-5772

EAST COAST MANUFACTURING FACILITY
Lakeland, FL 33803

MIDWEST MANUFACTURING FACILITY
Omaha, NE 68128

see us at
Sweets.com