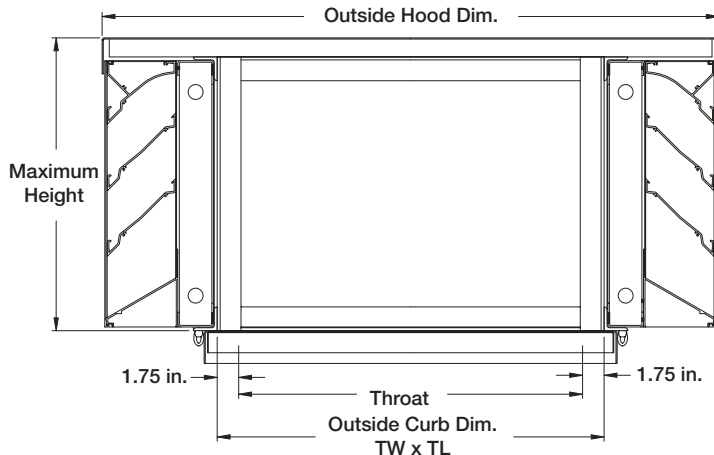


Application and Design

SDLE is a gravity intake or exhaust penthouse designed to meet the stringent performance requirements established by the Florida Building Code (Miami-Dade County) test protocols **TAS 201** (Large Missile Impact Test), **TAS 202** (Uniform Static Air Pressure Test) and **TAS 203** (Cyclic Wind Loading). Design incorporates Greenheck model ESD-603D (Miami-Dade qualified louver). Model SDLE is Miami-Dade County tested. No field assembly is required as all units are fully assembled. The severe duty steel curb is supplied by Greenheck only.



Standard Construction

Louvered perimeter:	0.125 in. thick 6063-T5 extruded aluminum, 6 in. deep of screwed/welded construction.
Louver support:	10 ga. x 3 in. deep painted steel channels at perimeter and 10 ga. painted steel Zee with aluminum blade support brackets at midpoint for throat opening greater than 32 1/2 in.
Structural support:	1/4 in. x 2 in. x 2 in. steel frame
Birdscreen:	Aluminum or steel mesh on inside of louver (non-structural)
Finish:	Mill
Maximum curb dim.:	57 1/2 in. either direction
Maximum height:	52 in. without curb

Maximum throat size:	54 in. wide x 54 in. long x 24 in. high
Hood:	Reinforced 0.100 in. thick aluminum, hinged for access and anchored at perimeter with 1/4-20 stainless steel screws, two per side and at minimum 23 in. spacing. One piece for throat $\leq 32 \frac{1}{2}$ in.; two piece for larger throat sizes.
Fastening to curb:	3/8-16 plated steel screws through curb cap, one each corner, 12 in. max. spacing
Corner covers:	0.125 in. thick formed aluminum angle, fastened with #10 stainless steel screw on 12 in. max. centers
Curb:	12 ga. painted steel with 1 3/4 in. lip at top and 4 in. flange at bottom. Available in 12 in., 18 in., or 24 in. height. Heights greater than 12 in. are reinforced at interior with 12 ga. x 2 in. x 2 in. angles, leg out.
Anchorage:	Intent to have anchorage substantiated by others due to the many possible substrates. Qualified as Hilti 3/8-16 x 3 Kwik Bolt II, 2 1/2 in. embed on 12 in. maximum centers into 3000 psi concrete, OR Hilti #12-14 Kwik-Flex self-drilling screw, #3 point, on 4 1/2 in. maximum spacing, 3 screws per corner.
Qualified substrates:	12 ga. steel, 3000 psi concrete
Maximum design load:	140 psf (6.8 kPa)

Options (at additional cost)

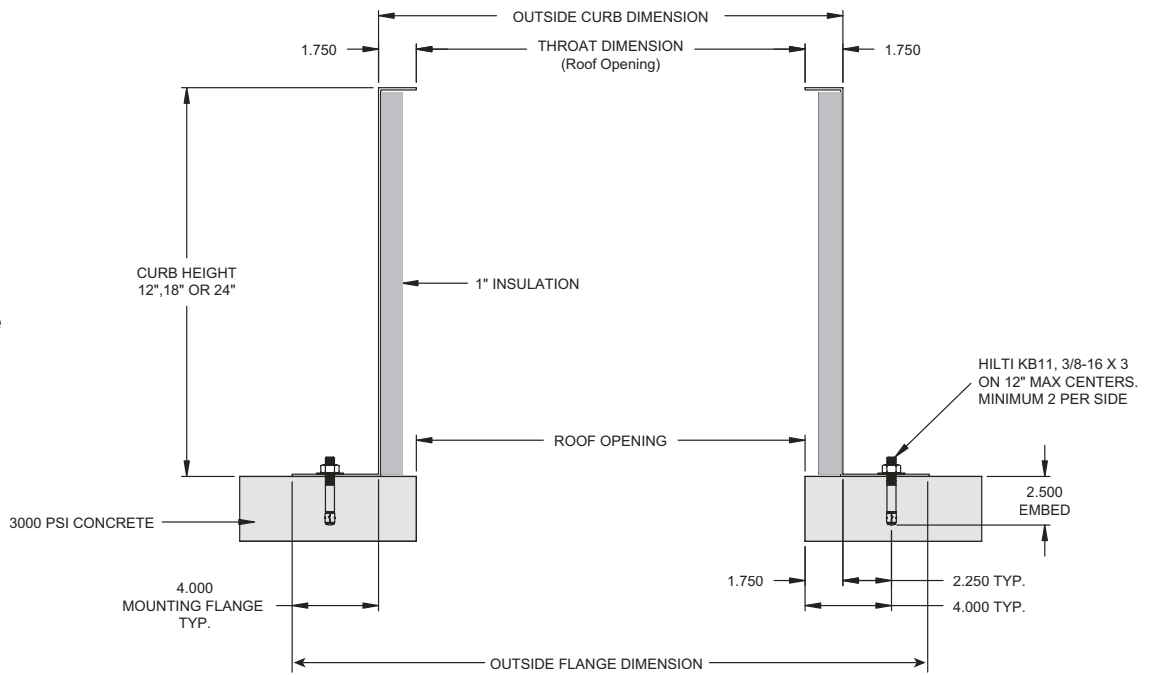
- A variety of bird and insect screens
- A variety of architectural finishes including:
 - Clear anodize
 - Integral color anodize
 - Baked enamel
 - Kynar
- Motorized dampers

Performance chart

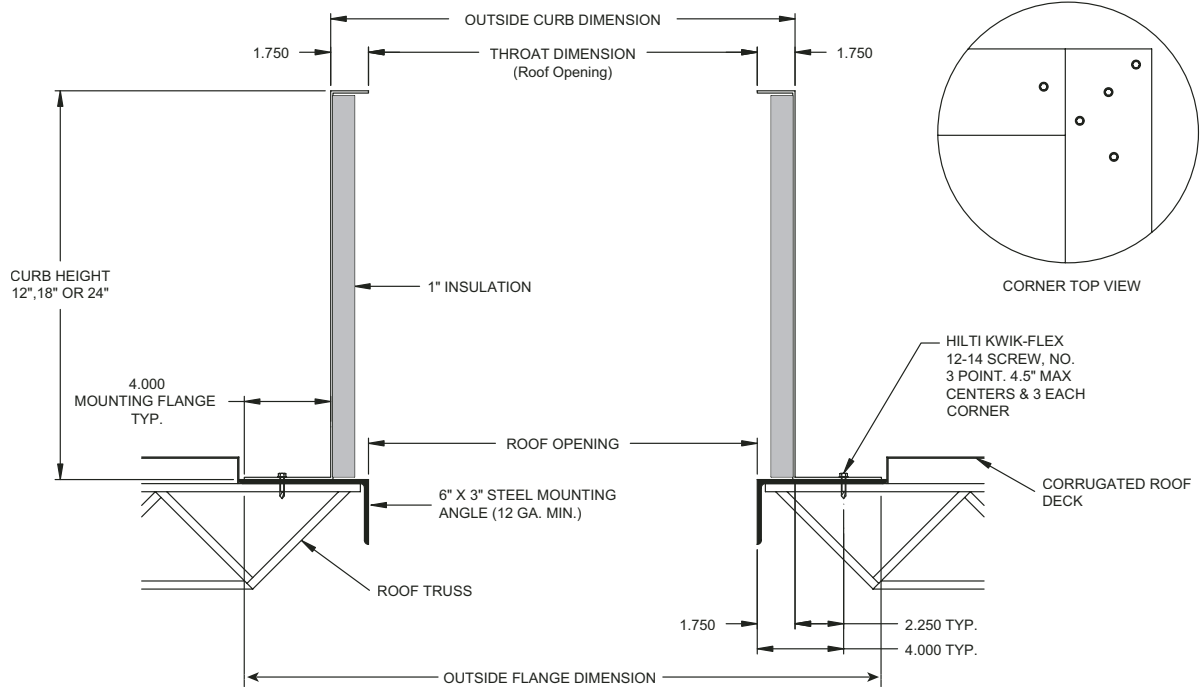
Model	Louver Free Area (Sq. Ft.)	Throat Free Area (Sq. Ft.)	Max Intake/Exhaust Volume (CFM), Throat Velocity (FPM)	Louver Free Area Intake Velocity (FPM)	Louver Airflow Resistance	Application Volume Range (CFM)	Unit Weight (Lb.)
SDLE-12	1.68	1.0	800, 800	476	0.07	0-800	300
SDLE-18	2.48	2.3	1800, 800	725	0.08	801-1900	400
SDLE-24	5.68	4.0	3200, 800	563	0.06	1901-3300	500
SDLE-30	10.08	6.3	5000, 800	496	0.06	3301-5100	700
SDLE-36	15.60	9.0	7200, 800	461	0.05	5101-7400	900
SDLE-42	22.32	12.3	9800, 800	439	0.05	7401-10,000	1100
SDLE-48	30.20	16.0	12,800, 800	423	0.05	10,001-13,000	1300
SDLE-54	39.24	20.3	16200, 800	413	0.05	13,001-16,500	1500

Curb Anchoring Details as tested

Concrete



Steel



THROAT DIMENSION AND ROOF OPENING = OUTSIDE CURB DIMENSION - 3.500"

Sizing chart

Model	Throat Dimension	Roof Opening	Outside Curb Dimension	Outside Flange Dimension
SDLE 12	12x12	12x12	15.5 x 15.5	23.5
SDLE 18	18x18	18x18	21.5 x 21.5	29.5
SDLE 24	24x24	24x24	27.5 x 27.5	35.5
SDLE 30	30x30	30x30	33.5 x 33.5	41.5
SDLE 36	36x36	36x36	39.5 x 39.5	47.5
SDLE 42	42x42	42x42	45.5 x 45.5	53.5
SDLE 48	48x48	48x48	51.5 x 51.5	59.5
SDLE 54	54x54	54x54	57.5 x 57.5	65.5

