

INDEX	HS-0
INDEX	HS-1
INSTALLATION INSTRUCTIONS	HSI-1
INSTALLATION INSTRUCTIONS	HSI-2
INTRODUCTION TO TYPICAL DETAILS	HSI-3
OVERVIEW 8" PANEL	HS-5
OVERVIEW 12" PANEL	HS-6
PANEL END LAP	HS-7
PANEL REVEAL	HS-8
RUBBER CLOSURES DETAIL	HS-9
EAVE DETAIL; SOLID SHEATHING	HS-10
EAVE DETAIL; SOLID SHEATHING	HS-11
EAVE DETAIL; SOLID SHEATHING	HS-12
EAVE DETAIL; SOLID SHEATHING	HS-13
EAVE DETAIL;	HS-14
EAVE DETAIL;	HS-15
GABLE DETAIL; SOLID SHEATHING	HS-20
GABLE DETAIL; SOLID SHEATHING	HS-21
GABLE DETAIL;	HS-22
GABLE DETAIL;	HS-23
GABLE DETAIL; SOLID SHEATHING	HS-24
FASCIA/SOFFIT DETAIL; SOLID SHEATHING	HS-30
FASCIA/SOFFIT DETAIL; SOLID SHEATHING	HS-31
FASCIA/SOFFIT DETAIL;	HS-32
FASCIA/SOFFIT DETAIL; SOLID SHEATHING	HS-33
FASCIA/SOFFIT DETAIL;	HS-34
WALL/SOFFIT DETAIL; SOLID SHEATHING	HS-35
WALL/SOFFIT DETAIL; SOLID SHEATHING	HS-36
WALL/SOFFIT DETAIL;	HS-37
WALL/SOFFIT DETAIL;	HS-38
WALL/SOFFIT DETAIL; SOLID SHEATHING	HS-39
SILL AT SLAB DETAIL; SOLID SHEATHING	HS-40
SILL AT SLAB DETAIL;	HS-41
SILL AT BRICK DETAIL; SOLID SHEATHING	HS-42
SILL AT VERTICAL PANEL DETAIL; SOLID SHEATHING	HS-43
SILL AT SLAB DETAIL; SOLID SHEATHING	HS-44
FASCIA/SOFFIT DETAIL; SOLID SHEATHING	HS-45
HEADER DETAIL; SOLID SHEATHING	HS-50
HEADER DETAIL; SOLID SHEATHING	HS-51
WINDOW/DOOR JAMB; SOLID SHEATHING	HS-52
JAMB DETAIL; SOLID SHEATHING	HS-53
SILL DETAIL; SOLID SHEATHING	HS-54
SILL DETAIL; SOLID SHEATHING	HS-55



**Berridge
Manufacturing
Company**

INDEX

DATE: 05/25/10

HS - PANEL

PAGE\FILE

HS-0

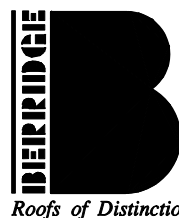
HEADER DETAIL; SOLID SHEATHING	HS-56
JAMB DETAIL; SOLID SHEATHING	HS-57
SILL DETAIL; SOLID SHEATHING	HS-58
INSIDE CORNER DETAIL; SOLID SHEATHING	HS-60
INSIDE CORNER DETAIL; OPEN FRAMING	HS-61
OUTSIDE CORNER DETAIL; SOLID SHEATHING	HS-62
OUTSIDE CORNER DETAIL; OPEN FRAMING	HS-63
INSIDE CORNER DETAIL; SOLID SHEATHING	HS-64
OUTSIDE CORNER DETAIL; SOLID SHEATHING	HS-65
PARAPET DETAIL; SOLID SHEATHING	HS-70
PARAPET DETAIL; SOLID SHEATHING	HS-71
HEAD WALL DETAIL; SOLID SHEATHING	HS-72
RAKE WALL DETAIL; SOLID SHEATHING	HS-73
PARAPET DETAIL; SOLID SHEATHING	HS-74
RAKE WALL DETAIL; SOLID SHEATHING	HS-75
HEAD WALL DETAIL; SOLID SHEATHING	HS-76

DATE: 05/25/10

INDEX

PAGE\FILE
HS-I

HS - PANEL



**Berridge
Manufacturing
Company**

Roofs of Distinction

1. BERRIDGE HS-PANEL: HAS AN EXPOSURE OF NOMINAL 8" OR 12", WITH A DEPTH OF 7/8".

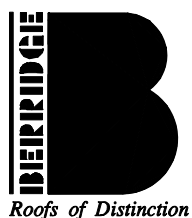
THE PANEL IS FACTORY FABRICATED IN MAXIMUM 40'-0" LENGTHS.

GENERAL NOTES

1. PANELS MAY BE USED AS SOFFIT, FASCIA, WALL SYSTEM, FACADE OR SIDING.
 2. PANELS CAN BE INSTALLED OVER SOLID SHEATHING OR OPEN FRAMING. CONSULT BERRIDGE FOR OPEN FRAMING APPLICATIONS.
 3. PANELS PROVIDE STRONG INTERLOCK AND HIDDEN FASTENER DESIGN.
- A. MATERIAL STORAGE: CAUTION MUST BE EXERCISED IN THE STORAGE OF MATERIALS PRIOR TO INSTALLATION. KEEP ALL BERRIDGE PREFINISHED MATERIAL IN A DRY LOCATION WITH ADEQUATE VENTILATION AND OUT OF DIRECT SUNLIGHT.

EXPOSURE TO DIRECT SUNLIGHT AND/OR MOISTURE MAY CAUSE THE FACTORY-APPLIED STRIPPABLE PROTECTIVE PLASTIC FILM TO ADHERE TO THE METAL PERMANENTLY AND CAUSE DISCOLORATION OF THE FINISH.

- B. STRIPPABLE PROTECTIVE FILM: THE STRIPPABLE PLASTIC FILM WHICH IS APPLIED OVER MOST BERRIDGE PREFINISHED PRODUCTS, PANELS, FLASHINGS, COILS AND SHEETS PROVIDES PROTECTION OF THE FINISH DURING FABRICATION AND TRANSIT. THIS FILM MUST BE REMOVED PRIOR TO INSTALLATION.
- C. SHEATHING: IF SOLID SHEATHING IS TO BE USED, BERRIDGE RECOMMENDS THE USE OF EITHER BERRIDGE 24 GA "S-DECK" CORRUGATED METAL DECKING OR A MINIMUM OF 1/2" SOLID WOOD SHEATHING TO PROVIDE SUFFICIENT HOLDING STRENGTH FOR FASTENERS. SHEATHING TO BE IN PLANE ± 1/4" IN 20'.
- D. UNDERLAYMENT: USE NUMBER THIRTY (# 30) FELT PAPER BENEATH PANELS; GRACE ICE & WATERSHIELD OR APPROVED EQUAL MAY BE USED AS ALTERNATE. INSTALL PARALLEL TO BASE OF PANELS, STARTING AT THE BOTTOM AND USING MINIMUM 6" LAPS. FOR FELT USE ONLY BERRIDGE COATED FELT CAPS TO PREVENT RUST. USE ONLY GALVANIZED OR COATED FASTENERS.
DO NOT USE RED ROSIN PAPER WITH ANY BERRIDGE MANUFACTURING PRODUCT.
- E. SEALANT RECOMMENDATIONS: TREMCO SPECTREM ONE, OR APPROVED EQUAL. DO NOT USE CLEAR CAULK.
- F. ELECTROLYSIS: AVOID ALLOWING FLASHINGS AND PANELS TO COME INTO CONTACT WITH EITHER LEAD OR COPPER, AND PREVENT EXPOSURE TO WATER RUN OFF FROM LEAD AND/OR COPPER.
- G. STRUCTURAL FRAMING: PRIOR TO PANEL INSTALLATION, INSPECT SIDEWALL, FASCIA OR OTHER FRAMING TO DETERMINE:
 1. FRAMING MUST BE SQUARE AND PLUMB.
 2. INSURE THAT SIDEWALL COLUMNS AND GIRTS ARE IN THE SAME PLANE, PLUS OR MINUS 1/4" IN 20'.
 3. CONSULT BERRIDGE FOR OPEN FRAME APPLICATIONS.
- H. FLASHING: IF BERRIDGE MANUFACTURING COMPANY IS TO SUPPLY FLASHINGS, THEY WILL BE FABRICATED IN 10'-0" LENGTHS WITH SQUARE END CUTS ONLY. THE PURCHASER MUST PROVIDE ALL DIMENSION AND DEGREE OF ANGLES.



**Berridge
Manufacturing
Company**

INSTALLATION
INSTRUCTIONS

HS - PANEL

DATE: 05/25/10

PAGE\FILE
HSI-1

- I. FLASHING INSTALLATION: FIRST, REMOVE STRIPPABLE PLASTIC FILM FROM ALL FLASHINGS, THEN INSTALL ACCORDING TO BERRIDGE TYPICAL INSTALLATION DETAILS. ALWAYS STAGGER FLASHING JOINTS WHEN ONE FLASHING IS INSTALLED OVER OTHER FLASHINGS.
- J. PANEL INSTALLATION:
1. REMOVE STRIPPABLE PLASTIC FILM FROM EACH PANEL PRIOR TO INSTALLATION.
 2. START PANEL INSTALLATION FROM BOTTOM OF WALL OR SILL AND WORK UP TO TOP OF WALL.
 3. KEEP EACH PANEL TIGHT AGAINST THE ADJOINING PANEL.
 4. PANEL SIDE JOINTS SHALL BE PARALLEL TO SILL.
 5. COPPER-COTE™ CHAMPAGNE, LEAD-COTE™ AND PREWEATHERED GALVALUME® ZINC-COTE™ ANTIQUE COPPER COTE PANEL INSTALLATION: NOTE THE SERIES OF ARROWS PAINTED ON THE UNDERSIDE OF THE PANEL. ALL PANELS MUST BE INSTALLED IN A CONSISTENT MANNER, MEANING THAT THE ARROWS ON EVERY PANEL ARE ALL POINTING IN THE SAME DIRECTION. IF A PANEL IS REVERSED (ARROWS POINTING OPPOSITE OF THOSE ON OTHER PANELS IT WILL APPEAR, FROM A DISTANCE, A DIFFERENT SHADE DUE TO THE GRANULAR EFFECT OF THE PIGMENTS IN THE FINISH. METALLIC FINISHES ARE MATCH – LOT FINISHES. ORDER ALL MATERIAL AT ONE TIME; DO NOT MIX LOTS.

*K. PANEL FASTENERS: INSTALL FASTENERS AS PER TYPICAL DETAILS.

WHEN ATTACHING TO 1/2" PLYWOOD, USE (1) #10 X 1" TYPE A FASTENER AT 24" O.C. MAX.

WHEN ATTACHING TO 24GA S-DECK USE (1) #10 X 1" SELF-DRILLING FASTENER AT 18" O.C. MAX.

WHEN ATTACHING TO FRAMING USE (2) #10 PANCAKE HEAD TEKS FASTENERS (ZINC-PLATED SCREW WITH PHILLIPS INSERT AS MADE BY CONSTRUCTION FASTENERS CO. PER CONNECTION.

WHEN USING POP RIVETS ON FLASHING, STAINLESS STEEL RIVETS ARE RECOMMENDED TO AVOID RUST STAINS.

MAKE SURE ALL FASTENERS ARE DRIVEN STRAIGHT AND SET FLAT. DO NOT OVERDRIVE FASTENERS, AS THIS WILL CAUSE THE FLASHING TO BUCKLE OR BECOME RECESSED BELOW THE ELEVATION OF THE SUBSTRATE.

ALL FASTENERS ARE TO BE GALVANIZED, STAINLESS STEEL OR COATED.

BERRIDGE MANUFACTURING COMPANY STRIVES TO PROVIDE ITS CUSTOMERS WITH THE HIGHEST QUALITY STRETCHER LEVELED STEEL AVAILABLE. THE LATEST TECHNOLOGY IS ALSO INCORPORATED IN BERRIDGE'S HIGH-PRECISION COIL HANDLING AND ROLL FORMING EQUIPMENT TO MINIMIZE THE STRESS ON METAL DURING PRODUCTION. FURTHERMORE, BERRIDGE UTILIZES HEAVIER 24 GAUGE METAL RATHER THAN 26 GAUGE STEEL OR LIGHT GAUGE ALUMINUM AS OFFERED BY MANY COMPETITORS. ALL THESE MEASURES HAVE BEEN TAKEN TO MINIMIZE THE AMOUNT OF "OIL-CANNING" (WAVINESS) WHICH IS NATURALLY INHERENT IN FLAT SHEET METAL. MANY TIMES, HOWEVER, THE CAUSE OF WAVINESS OR "OIL-CANNING" CAN BE TRACED TO UNEVEN SHEATHING, IMPROPER FELT INSTALLATION, OR IN THE CASE OF OPEN FRAMING, UNEVENNESS OF THE TOP PLANE OF THE PURLINS OR FOOT TRAFFIC ON THE PANELS.

ALL ARCHITECTURAL PANELS REQUIRE CARE IN HANDLING AND INSTALLATION TO AVOID DAMAGING OR DEFORMING THE PANELS.

*CONSULT BERRIDGE MANUFACTURING'S ENGINEERING DEPARTMENT REGARDING FASTENER & SPACING TO MEET DESIGN CRITERIA, AND THE USE OF ANY OTHER TYPE OF FASTENER.

DATE: 05/25/10

INSTALLATION INSTRUCTIONS

PAGE\FILE

HSI-2

HS - PANEL



**Berridge
Manufacturing
Company**

THE DETAILS CONTAINED IN THE FOLLOWING PAGES ARE MERELY RECOMMENDATIONS AS TO HOW BERRIDGE MANUFACTURING MATERIALS SHOULD BE INSTALLED. THEY MAY REQUIRE ADAPTATIONS OR MODIFICATIONS FOR A SPECIFIC PROJECT AS CONDITIONS VARY IN BOTH BUILDING DESIGN AND LOCAL WEATHER PECULIARITIES.

BERRIDGE MANUFACTURING COMPANY SHALL BE HELD HARMLESS FROM ANY AND ALL CLAIMS ARISING FROM LACK OF WATERTIGHTNESS AS A RESULT OF FOLLOWING THESE RECOMMENDED DETAILS. ENSURING WATERTIGHTNESS ON ANY GIVEN PROJECT IS THE FUNCTION OF THE INSTALLER. THE ARCHITECT/GENERAL CONTRACTOR/INSTALLER MUST ACCEPT THE RESPONSIBILITY TO ADAPT THESE DETAILS TO MEET PARTICULAR BUILDING REQUIREMENTS AND TO ASSURE ADEQUATE WATERTIGHTNESS.

THE INSTALLER CAN VIRTUALLY ASSURE WATERTIGHTNESS IF THESE FLASHING DETAILS HAVE BEEN PROPERLY ADAPTED, ADEQUATE LAPS HAVE BEEN PROVIDED, CORRECT TYPE OF SEALANT USED, ALL JOINTS ADEQUATELY CAULKED, AND PROFESSIONAL WORKMANSHIP EMPLOYED.



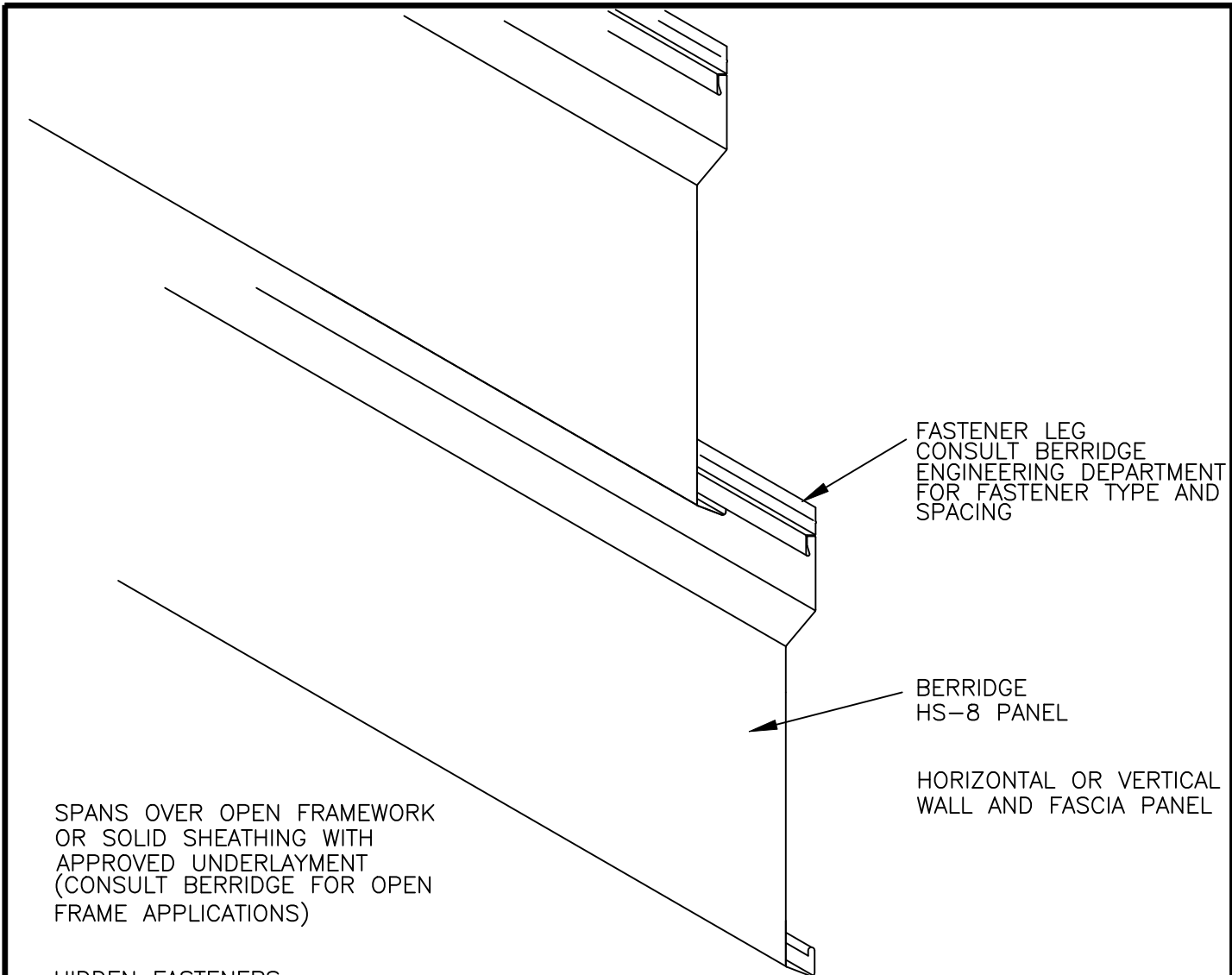
**Berridge
Manufacturing
Company**

INTRODUCTION TO
TYPICAL DETAILS

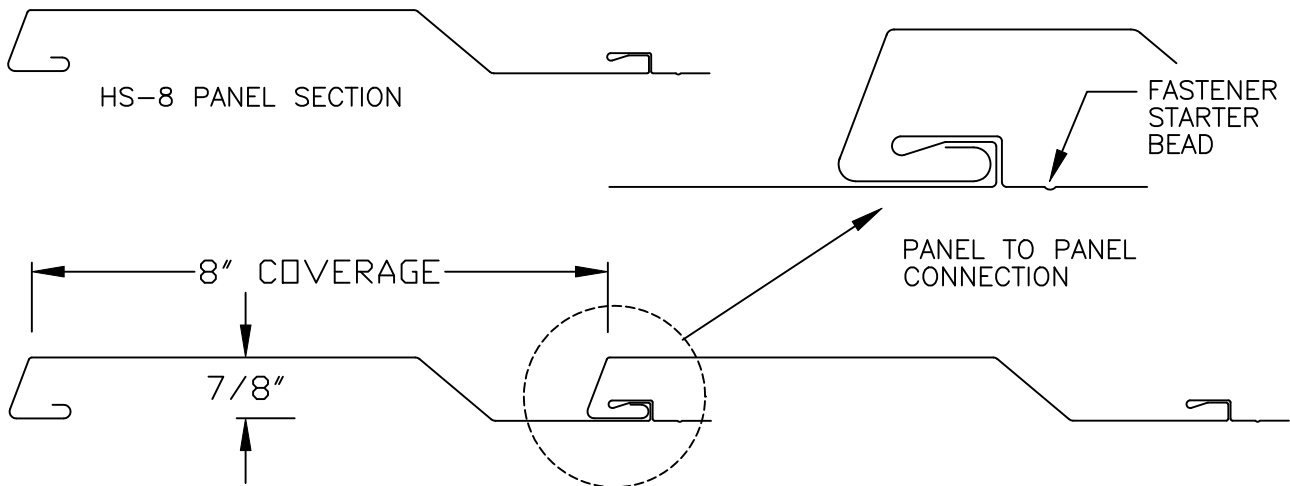
HS - PANEL

DATE: 05/25/10

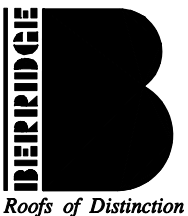
PAGE\FILE
HSI-3



HIDDEN FASTENERS



HS-8 PANEL SYSTEM ASSEMBLY



**Berridge
Manufacturing
Company**

Roofs of Distinction

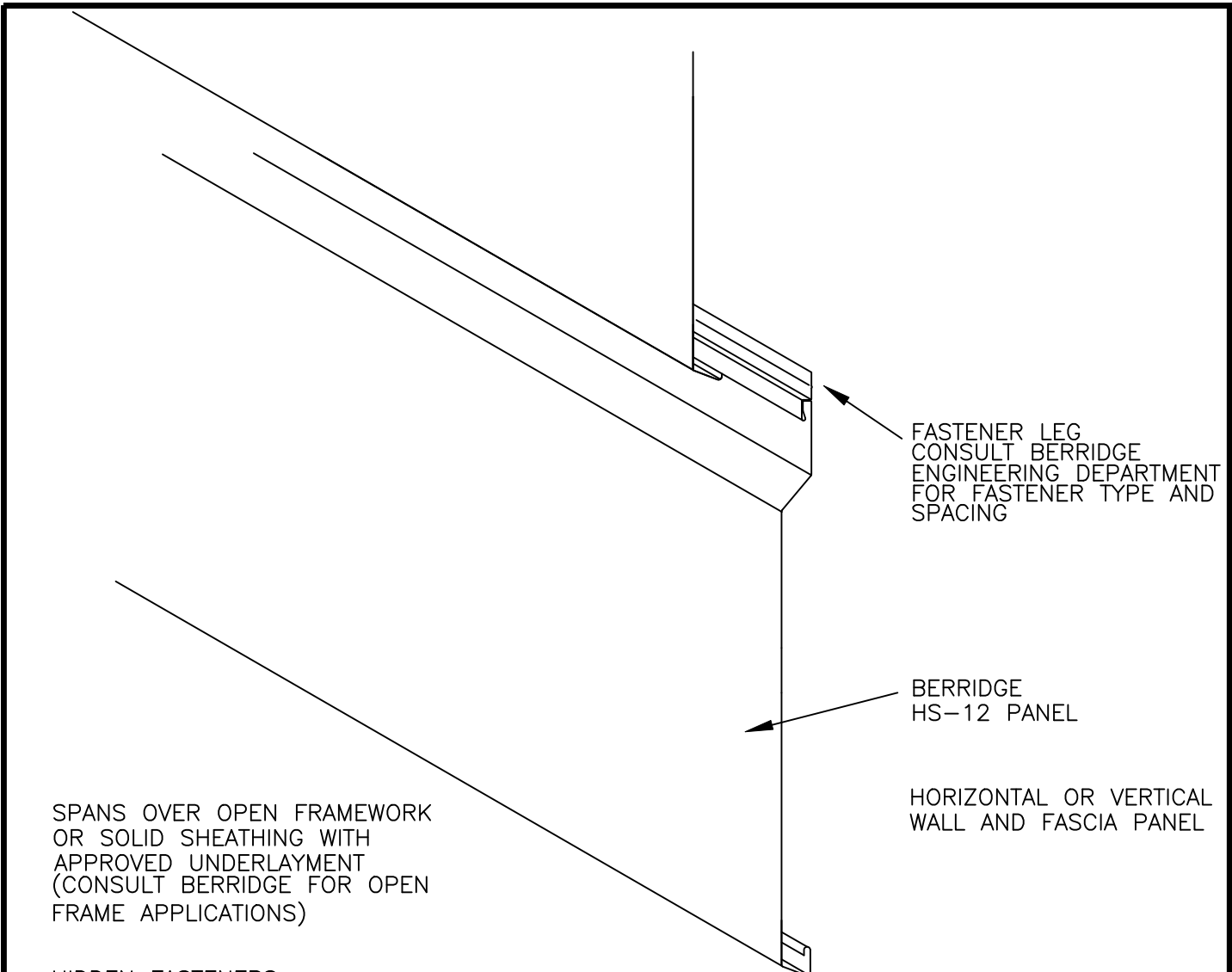
PANEL OVERVIEW

HS - PANEL

DATE: 05/25/10

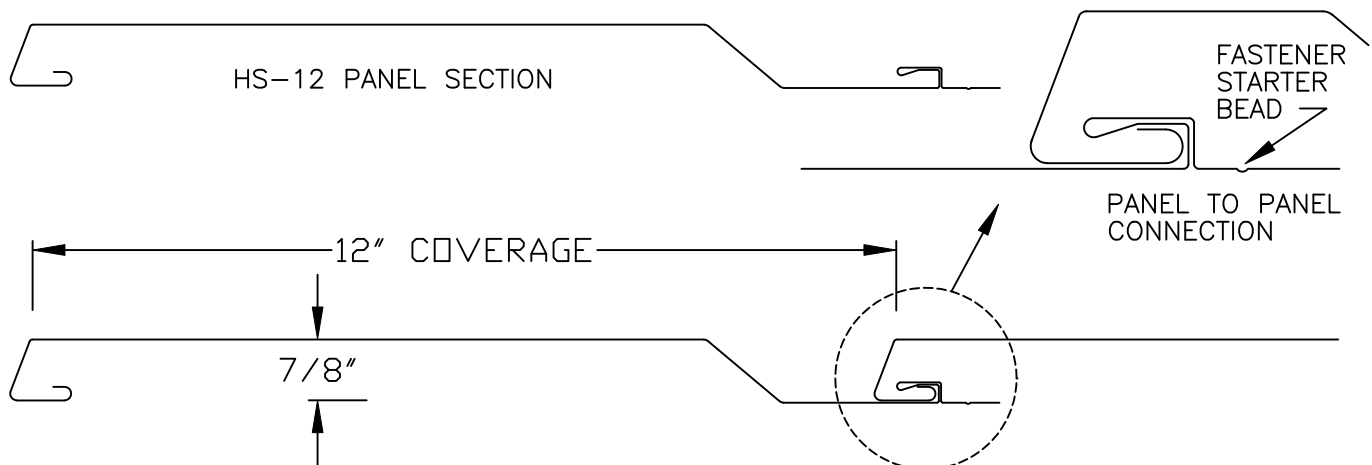
PAGE\FILE

HS-5



SPANS OVER OPEN FRAMEWORK
OR SOLID SHEATHING WITH
APPROVED UNDERLAYMENT
(CONSULT BERRIDGE FOR OPEN
FRAME APPLICATIONS)

HIDDEN FASTENERS



HS-12 PANEL SYSTEM ASSEMBLY

DATE: 05/25/10

PANEL OVERVIEW

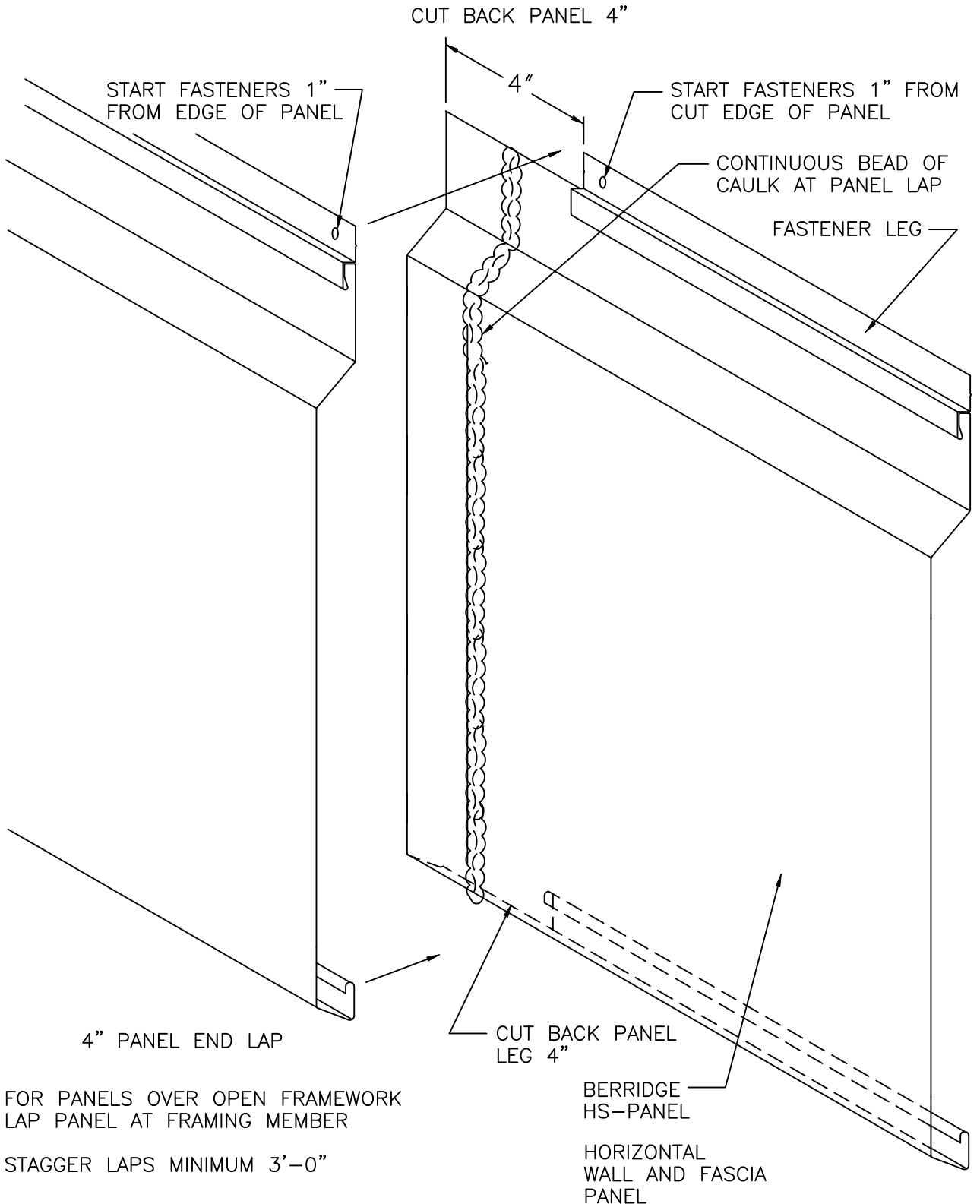
PAGE\FILE
HS-6

HS - PANEL



**Berridge
Manufacturing
Company**

Roofs of Distinction



FOR PANELS OVER OPEN FRAMEWORK
 LAP PANEL AT FRAMING MEMBER
 STAGGER LAPS MINIMUM 3'-0"

BERRIDGE
 HS-PANEL
 HORIZONTAL
 WALL AND FASCIA
 PANEL

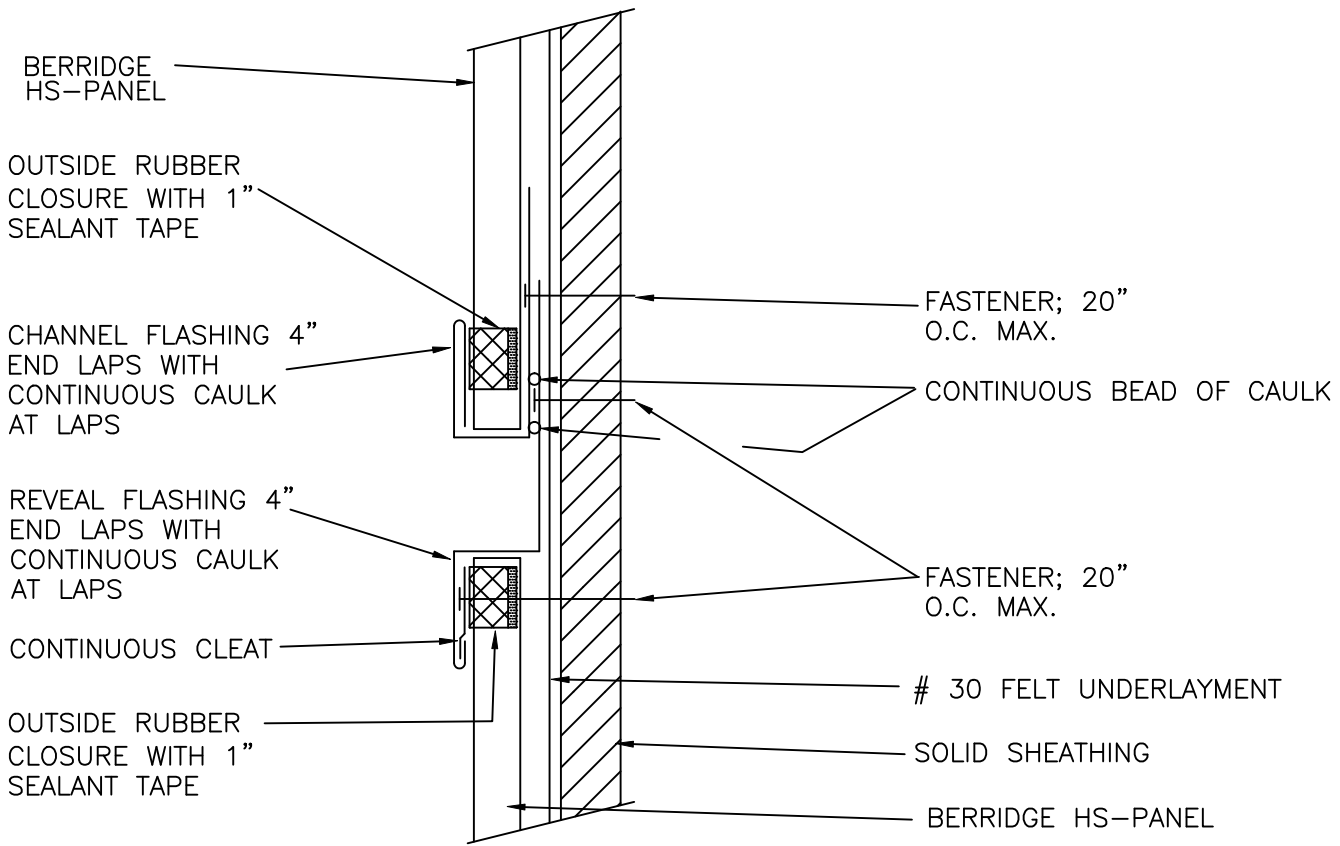
BERRIDGE
B
 Berridge
 Manufacturing
 Company
Roofs of Distinction

PANEL END LAP

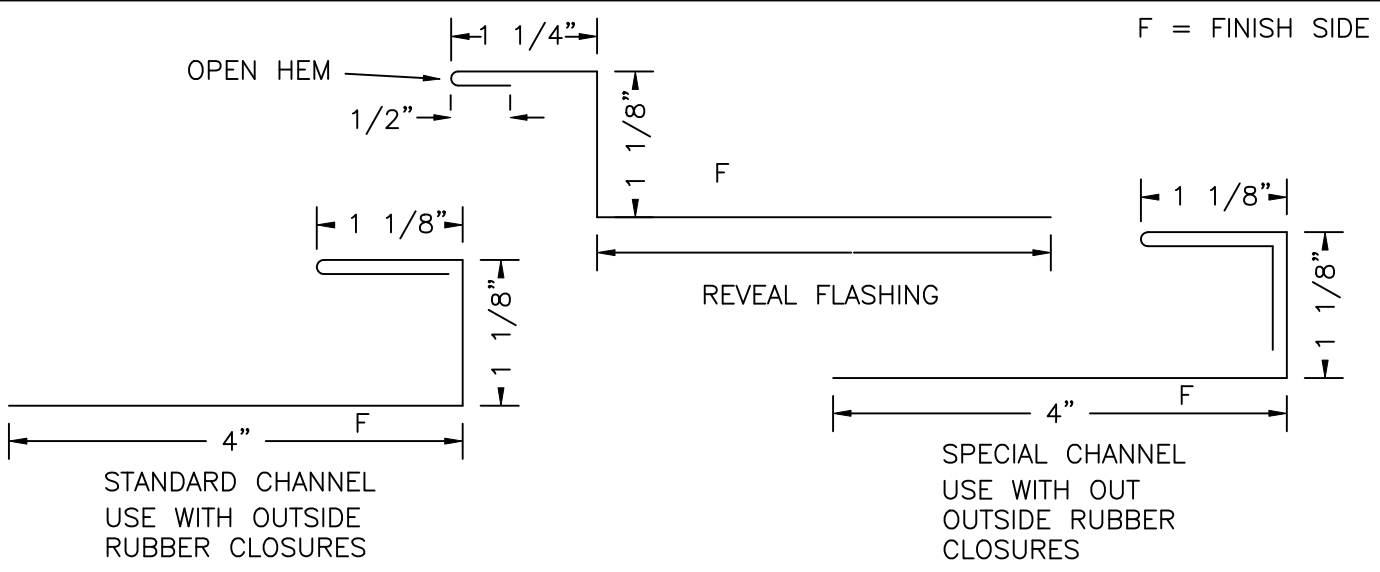
HS - PANEL

DATE: 05/25/10

PAGE\FILE
HS-7



1. SOLID SHEATHING (BY OTHERS) TO BE MINIMUM 1/2" PLYWOOD OR EQUIVALENT IN STRENGTH FOR HOLDING POWER OF FASTENERS.
2. ALL FELT UNDERLAYMENT, CAULKING, AND FASTENERS, ARE ITEMS TO BE FURNISHED AND INSTALLED BY THE ROOFING INSTALLER AT THE DISCRETION OF THE ARCHITECT.



DATE: 05/25/10

PANEL REVEAL

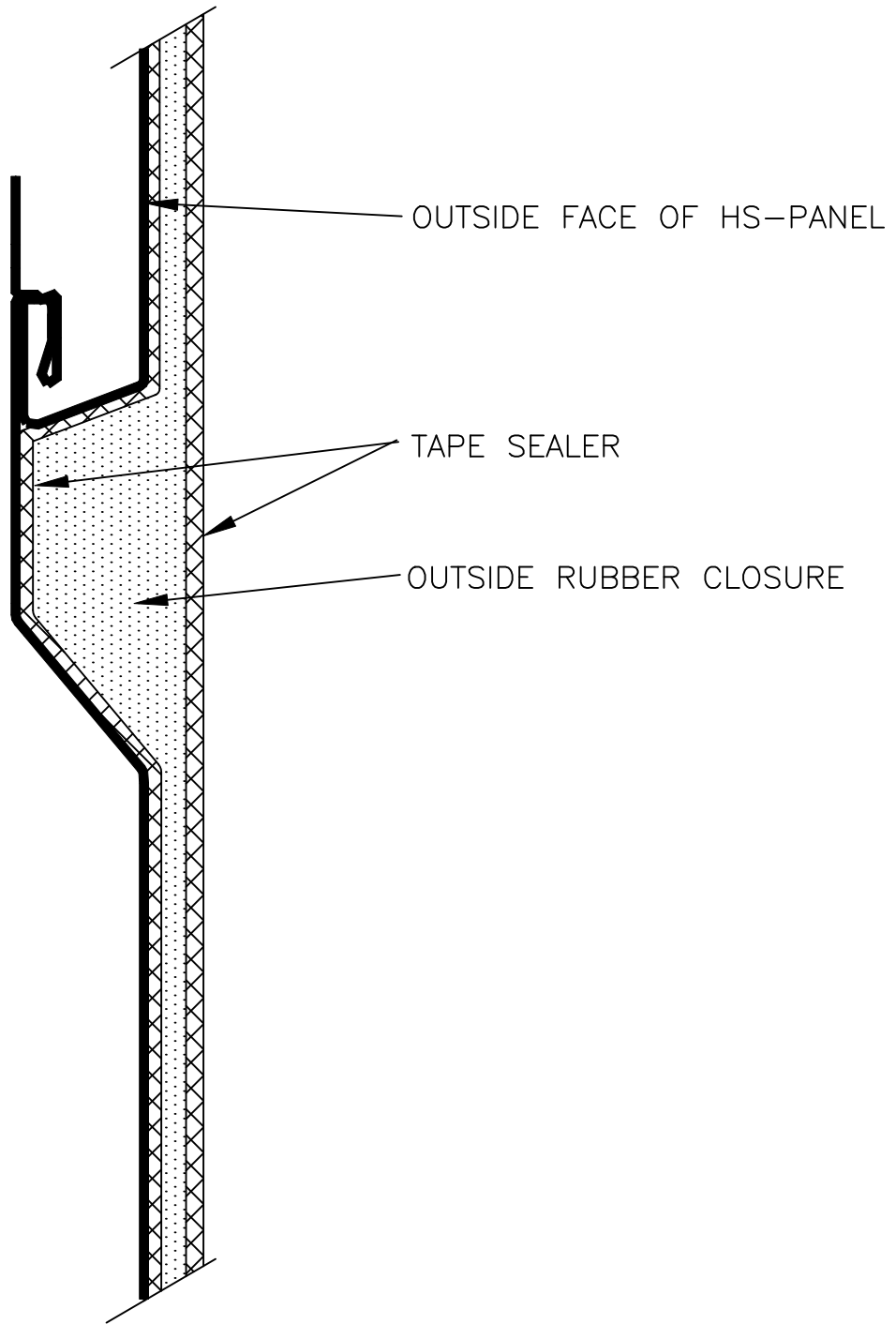
PAGE\FILE
HS-8

HS - PANEL

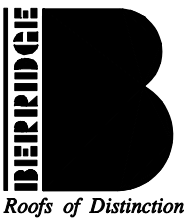


Berridge
Manufacturing
Company

Roofs of Distinction



OUTSIDE RUBBER CLOSURE DETAIL



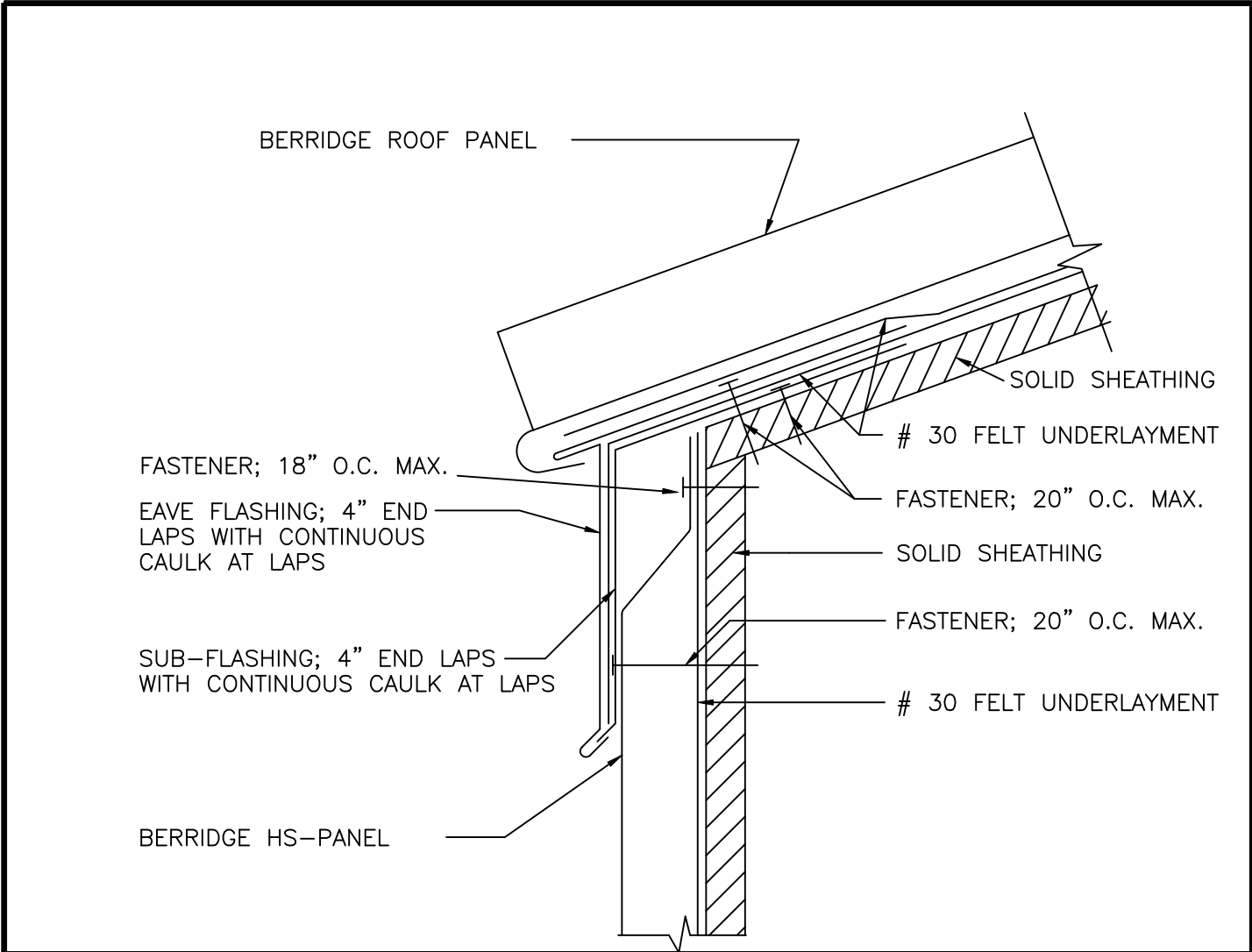
**Berridge
Manufacturing
Company**

RUBBER CLOSURES
DETAIL

HS - PANEL

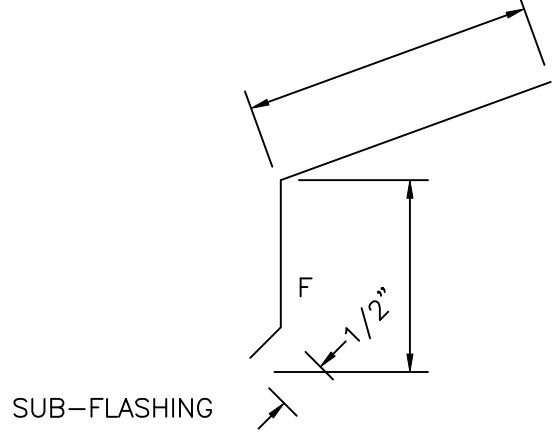
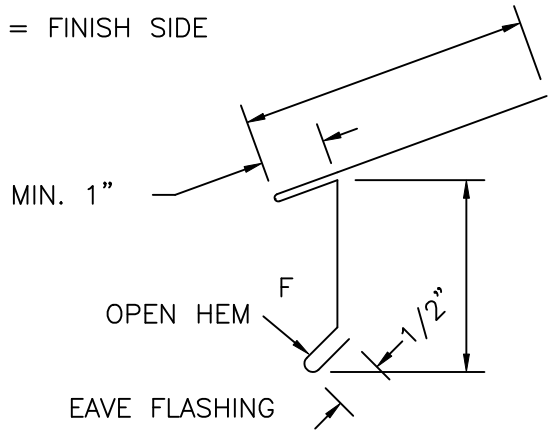
DATE: 05/25/10

PAGE\FILE
HS-9



1. SOLID SHEATHING (BY OTHERS) TO BE MINIMUM 1/2" PLYWOOD OR EQUIVALENT IN STRENGTH FOR HOLDING POWER OF FASTENERS.
2. ALL FELT UNDERLAYMENT, CAULKING, AND FASTENERS, ARE ITEMS TO BE FURNISHED AND INSTALLED BY THE ROOFING INSTALLER AT THE DISCRETION OF THE ARCHITECT.

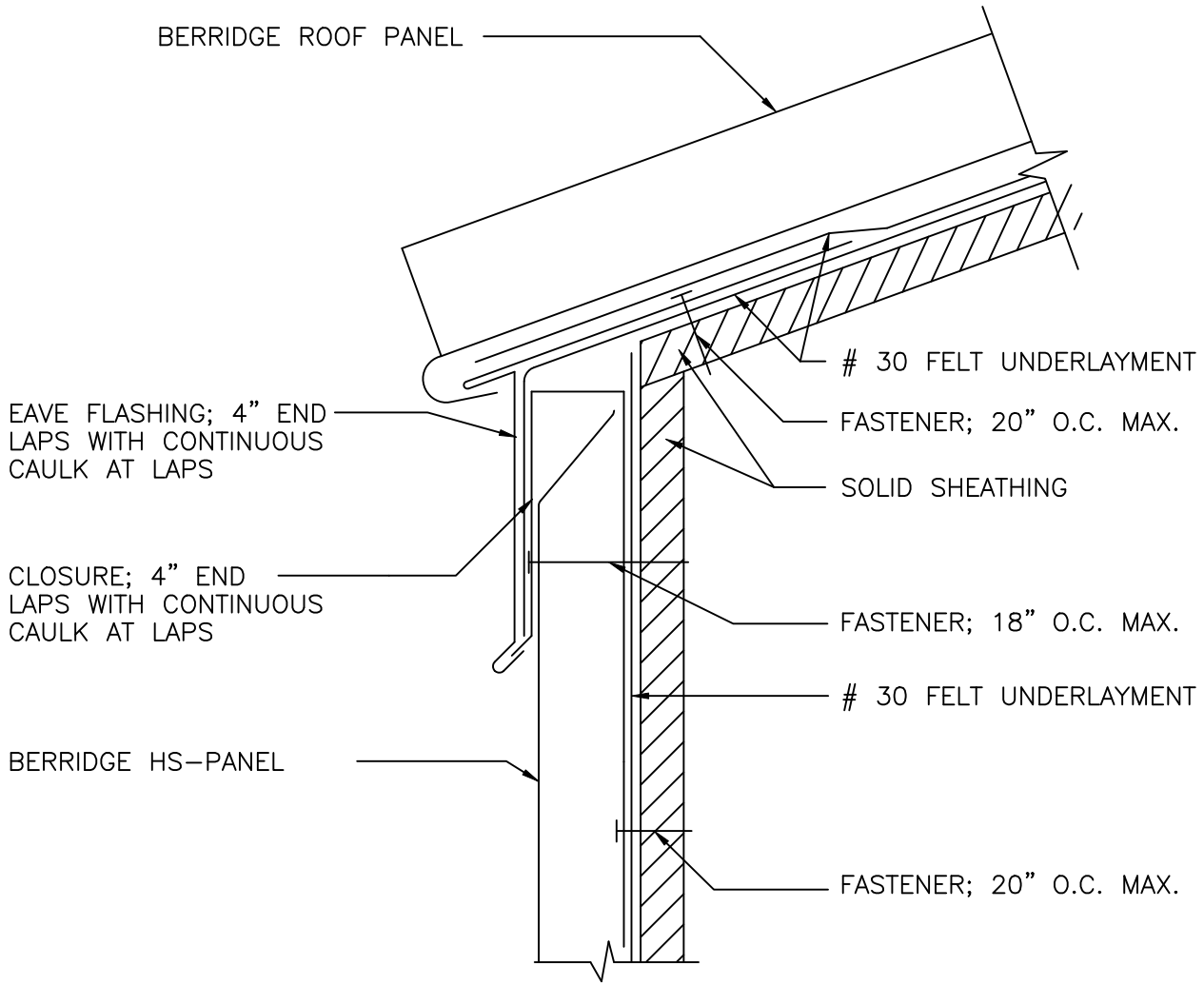
F = FINISH SIDE



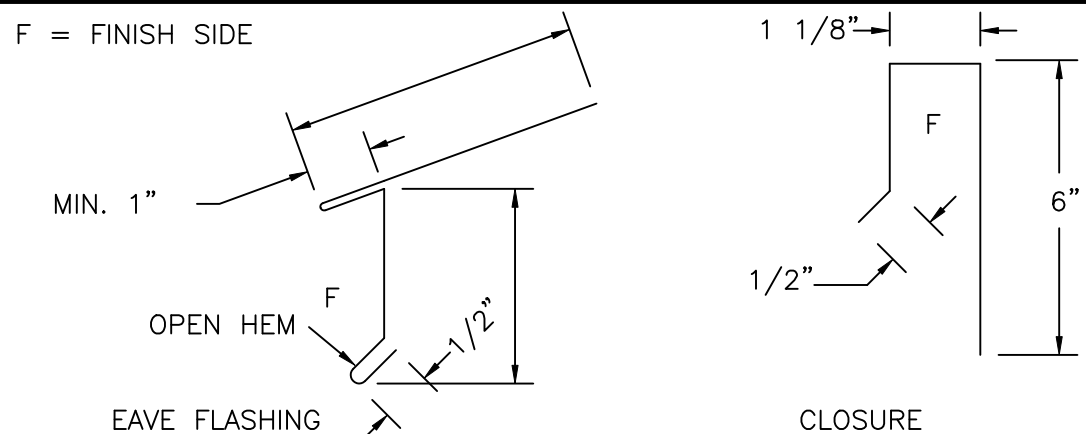
BERRIDGE
B
 Berridge
 Manufacturing
 Company
Roofs of Distinction

EAVE DETAIL
 SOLID SHEATHING
HS - PANEL

DATE: 05/25/10
 PAGE\FILE
HS-10



1. SOLID SHEATHING (BY OTHERS) TO BE MINIMUM 1/2" PLYWOOD OR EQUIVALENT IN STRENGTH FOR HOLDING POWER OF FASTENERS.
2. ALL FELT UNDERLAYMENT, CAULKING, AND FASTENERS, ARE ITEMS TO BE FURNISHED AND INSTALLED BY THE ROOFING INSTALLER AT THE DISCRETION OF THE ARCHITECT.



DATE: 05/25/10

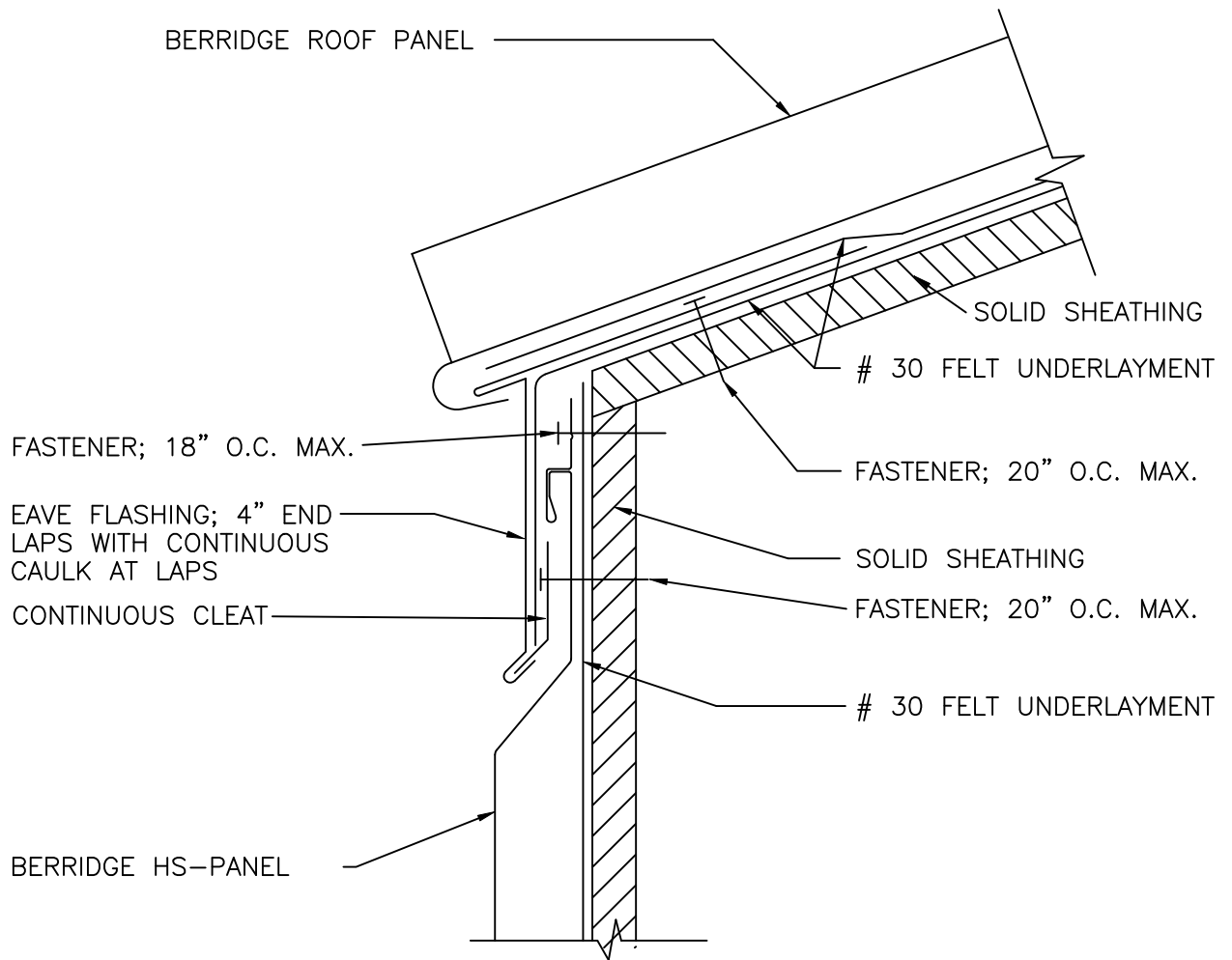
PAGE\FILE
HS-II

EAVE DETAIL
SOLID SHEATHING

HS - PANEL

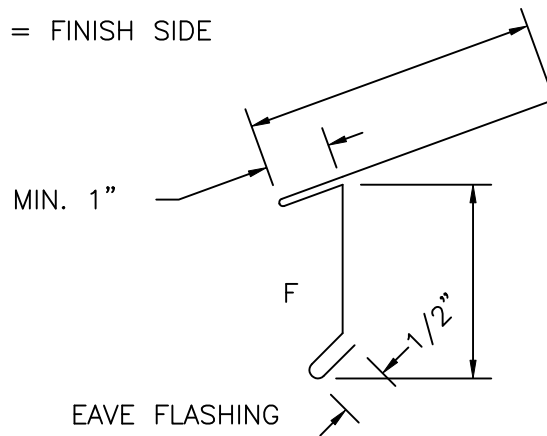
Berridge
Manufacturing
Company

Roofs of Distinction

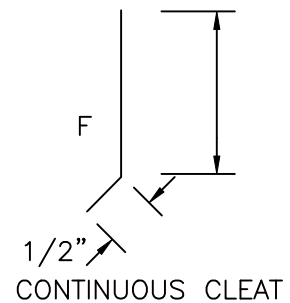


1. SOLID SHEATHING (BY OTHERS) TO BE MINIMUM 1/2" PLYWOOD OR EQUIVALENT IN STRENGTH FOR HOLDING POWER OF FASTENERS.
2. ALL FELT UNDERLAYMENT, CAULKING, AND FASTENERS, ARE ITEMS TO BE FURNISHED AND INSTALLED BY THE ROOFING INSTALLER AT THE DISCRETION OF THE ARCHITECT.

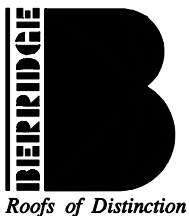
F = FINISH SIDE



EAVE FLASHING



CONTINUOUS CLEAT



**Berridge
Manufacturing
Company**

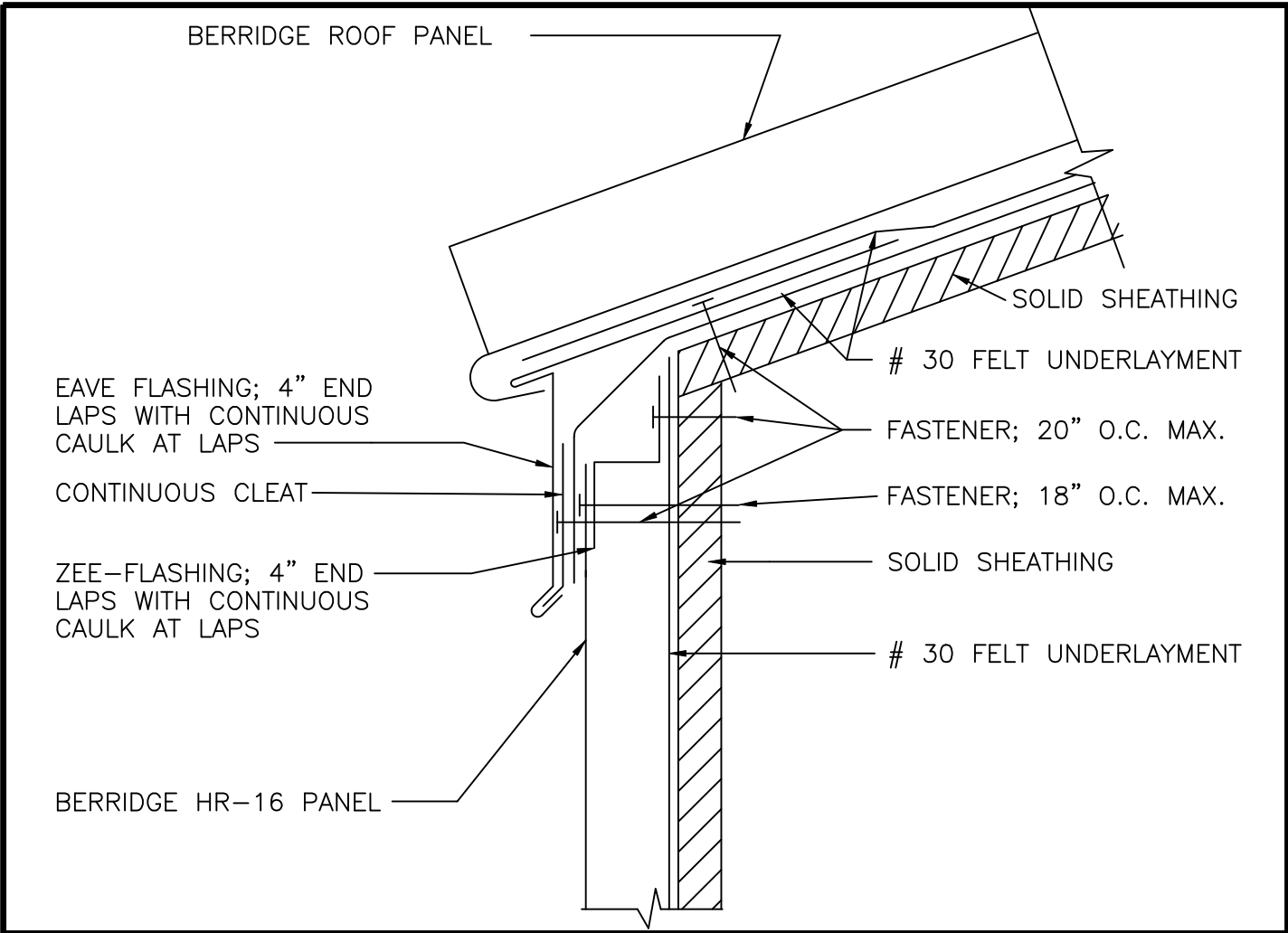
EAVE DETAIL
SOLID SHEATHING

HS - PANEL

DATE: 05/25/10

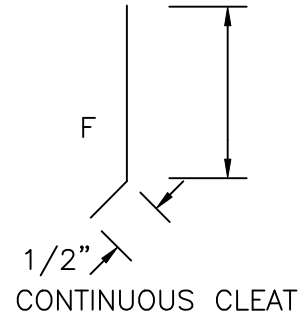
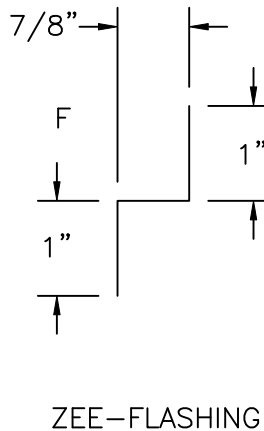
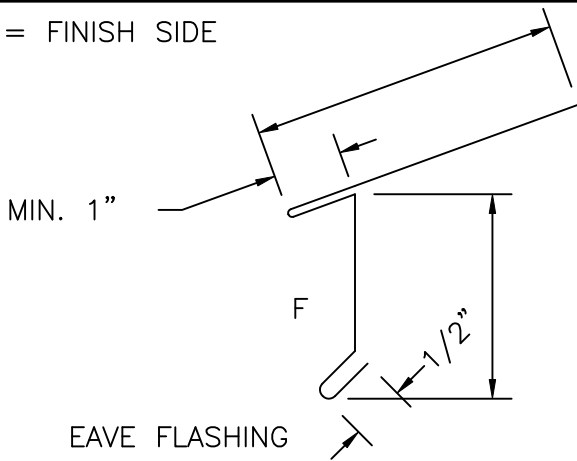
PAGE\FILE

HS-12



1. SOLID SHEATHING (BY OTHERS) TO BE MINIMUM 1/2" PLYWOOD OR EQUIVALENT IN STRENGTH FOR HOLDING POWER OF FASTENERS.
2. ALL FELT UNDERLAYMENT, CAULKING, AND FASTENERS, ARE ITEMS TO BE FURNISHED AND INSTALLED BY THE ROOFING INSTALLER AT THE DISCRETION OF THE ARCHITECT.

F = FINISH SIDE

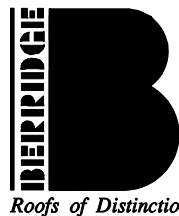


DATE: 05/25/10

EAVE DETAIL
SOLID SHEATHING

PAGE\FILE
HS-13

HS - PANEL



Berridge
Manufacturing
Company

Roofs of Distinction

BERRIDGE ROOF PANEL

EAVE FLASHING; 4" END LAPS WITH CONTINUOUS CAULK AT LAPS

SUB-FLASHING; 4" END LAPS WITH CONTINUOUS CAULK AT LAPS

BERRIDGE HS-PANEL

EAVE STRUT

FASTENER; 20" O.C. MAX.

(2) FASTENERS; AT EVERY FURRING CHANNEL

FASTENER; AT EVERY FURRING CHANNEL

FURRING CHANNEL

1. ALL CAULKING, AND FASTENERS, ARE ITEMS TO BE FURNISHED AND INSTALLED BY THE ROOFING INSTALLER AT THE DISCRETION OF THE ARCHITECT.
2. CONSULT BERRIDGE FOR OPEN FRAME APPLICATIONS.

F = FINISH SIDE

MIN. 1"

OPEN HEM

EAVE FLASHING

SUB-FLASHING



Berridge
Manufacturing
Company

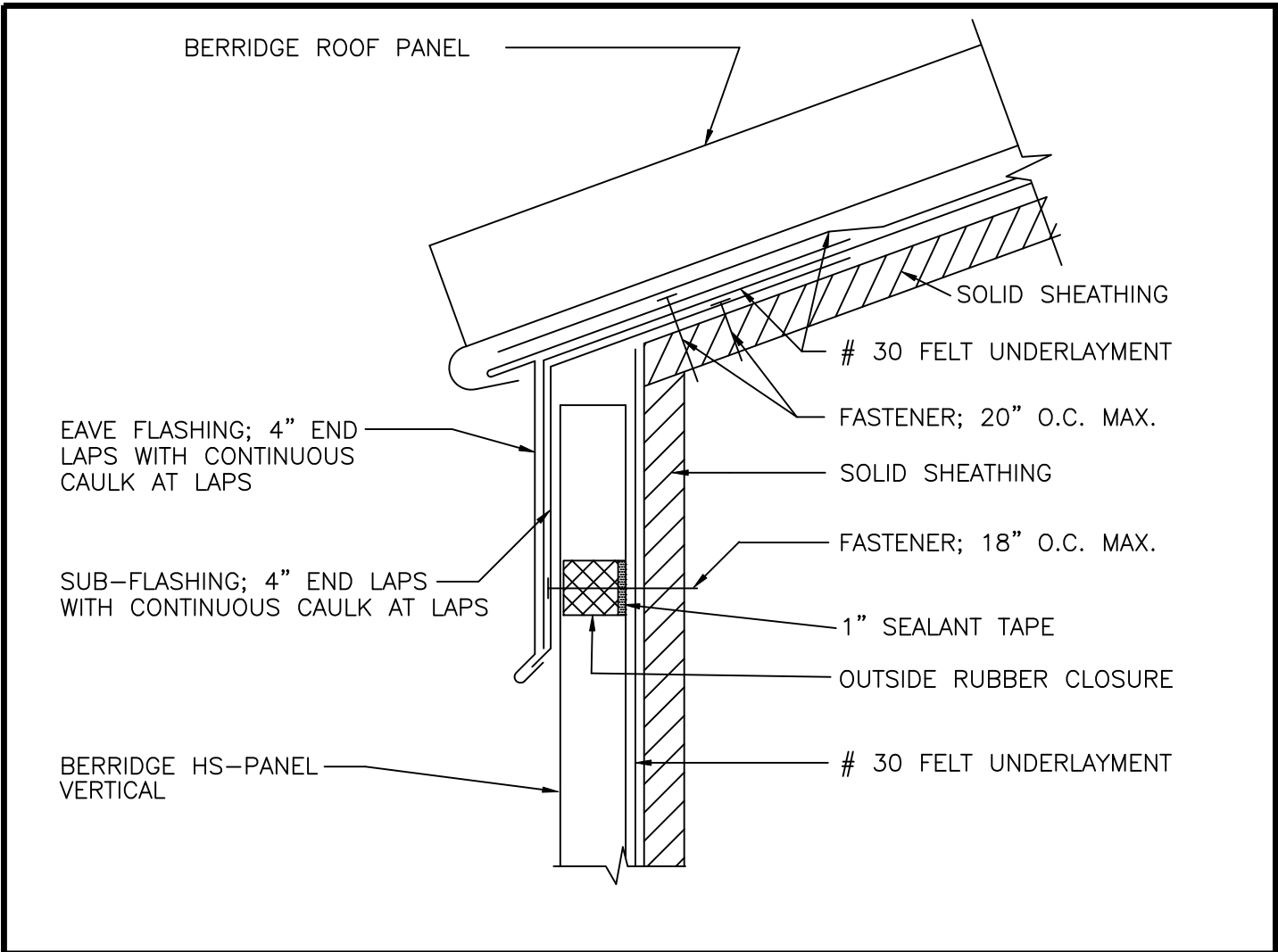
EAVE DETAIL

HS - PANEL

DATE: 05/25/10

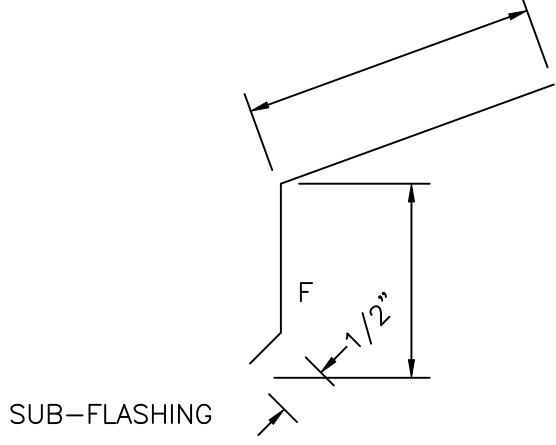
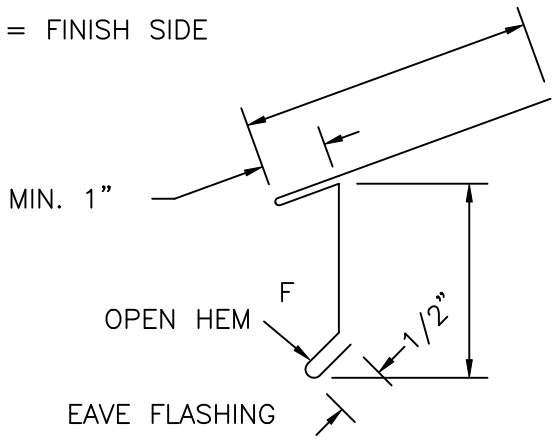
PAGE\FILE

HS-14



1. SOLID SHEATHING (BY OTHERS) TO BE MINIMUM 1/2" PLYWOOD OR EQUIVALENT IN STRENGTH FOR HOLDING POWER OF FASTENERS.
2. ALL FELT UNDERLAYMENT, CAULKING, AND FASTENERS, ARE ITEMS TO BE FURNISHED AND INSTALLED BY THE ROOFING INSTALLER AT THE DISCRETION OF THE ARCHITECT.

F = FINISH SIDE



DATE: 05/25/10

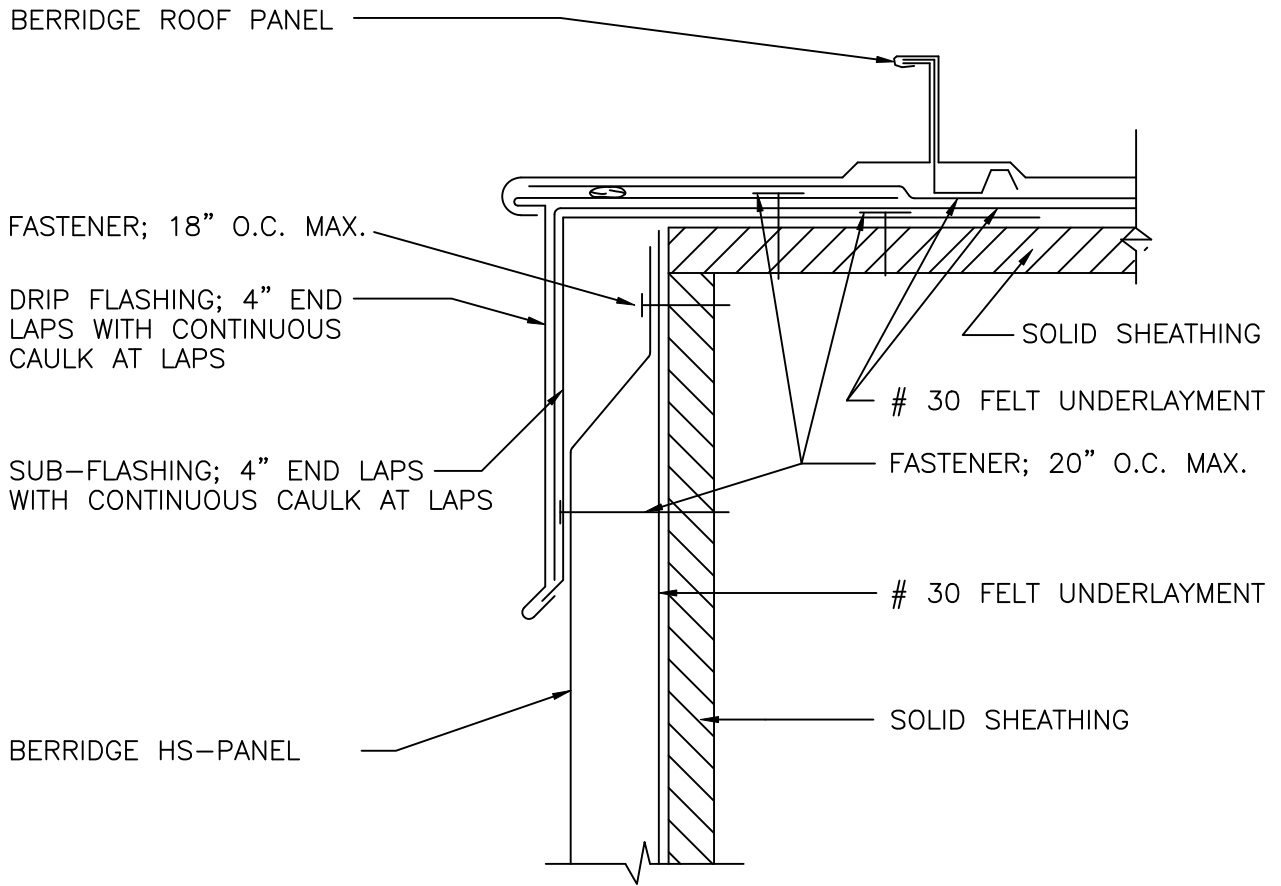
EAVE DETAIL
SOLID SHEATHING

PAGE\FILE
HS-15

HS - PANEL

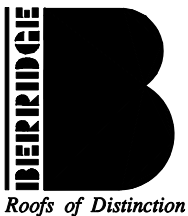
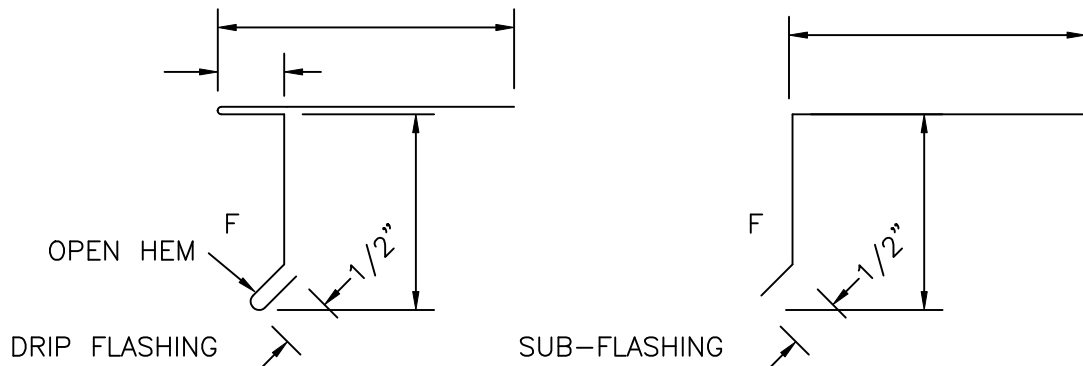


Berridge
Manufacturing
Company



1. SOLID SHEATHING (BY OTHERS) TO BE MINIMUM 1/2" PLYWOOD OR EQUIVALENT IN STRENGTH FOR HOLDING POWER OF FASTENERS.
2. ALL FELT UNDERLAYMENT, CAULKING, AND FASTENERS, ARE ITEMS TO BE FURNISHED AND INSTALLED BY THE ROOFING INSTALLER AT THE DISCRETION OF THE ARCHITECT.

F = FINISH SIDE



**Berridge
Manufacturing
Company**

GABLE DETAIL
SOLID SHEATHING

HS - PANEL

DATE: 05/25/10

PAGE\FILE

HS-20

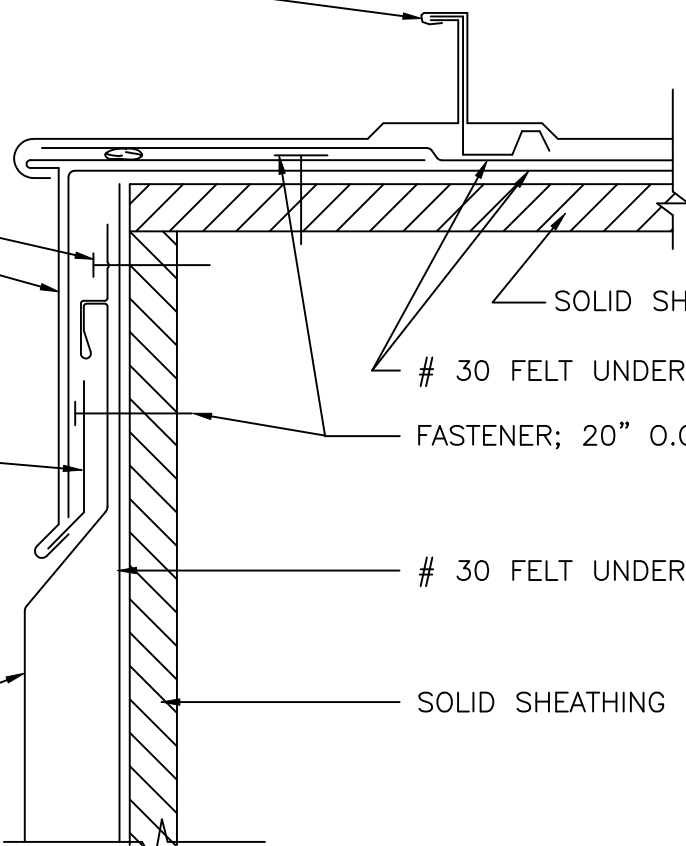
BERRIDGE ROOF PANEL

FASTENER; 18" O.C. MAX.

DRIP FLASHING; 4" END LAPS WITH CONTINUOUS CAULK AT LAPS

CONTINUOUS CLEAT

BERRIDGE HS- PANEL



SOLID SHEATHING

30 FELT UNDERLAYMENT

FASTENER; 20" O.C. MAX.

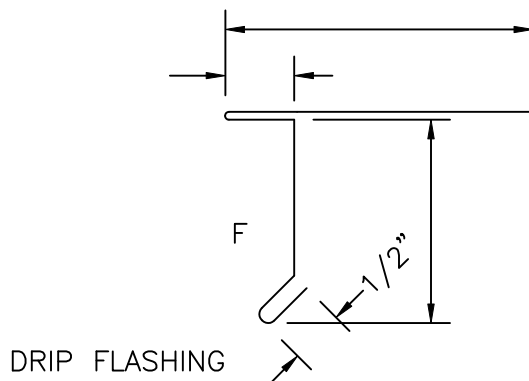
30 FELT UNDERLAYMENT

SOLID SHEATHING

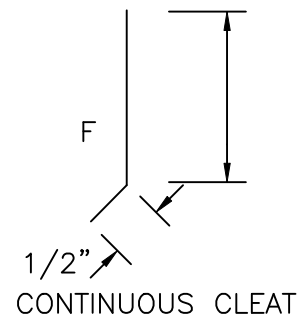
1. SOLID SHEATHING (BY OTHERS) TO BE MINIMUM 1/2" PLYWOOD OR EQUIVALENT IN STRENGTH FOR HOLDING POWER OF FASTENERS.

2. ALL FELT UNDERLAYMENT, CAULKING, AND FASTENERS, ARE ITEMS TO BE FURNISHED AND INSTALLED BY THE ROOFING INSTALLER AT THE DISCRETION OF THE ARCHITECT.

F = FINISH SIDE



DRIP FLASHING



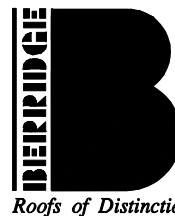
CONTINUOUS CLEAT

DATE: 05/25/10

GABLE DETAIL SOLID SHEATHING

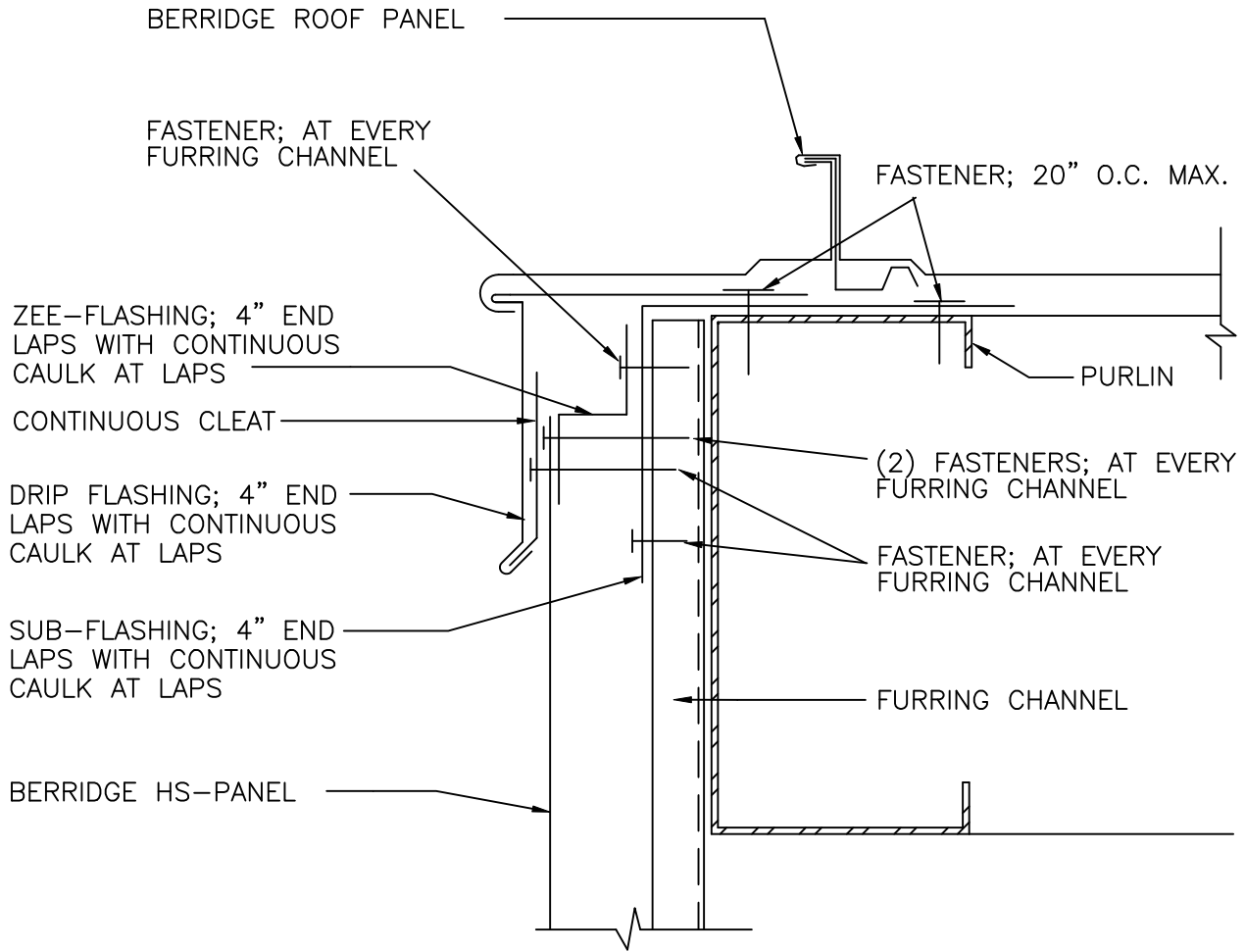
PAGE\FILE
HS-21

HS - PANEL



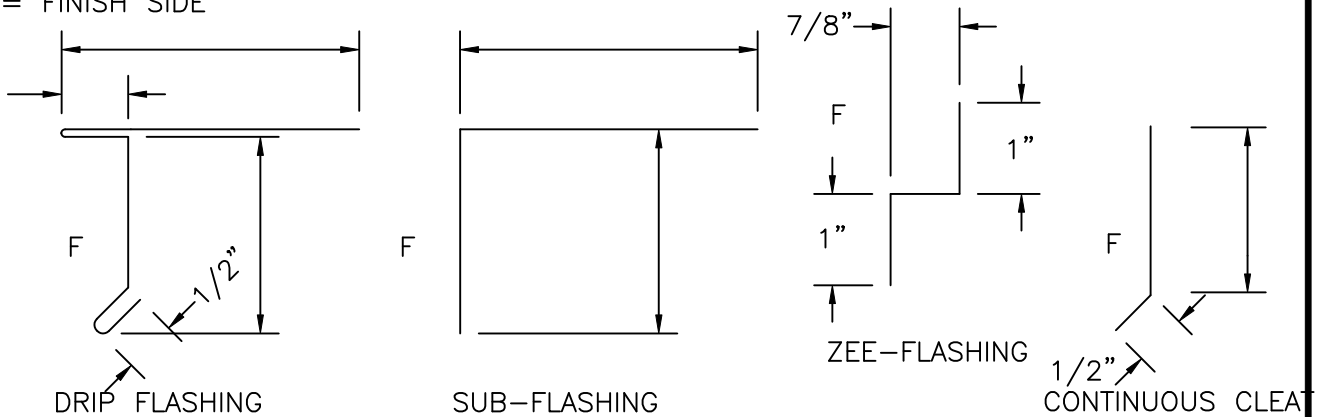
**Berridge
Manufacturing
Company**

Roofs of Distinction



1. ALL CAULKING, AND FASTENERS, ARE ITEMS TO BE FURNISHED AND INSTALLED BY THE ROOFING INSTALLER AT THE DISCRETION OF THE ARCHITECT.
2. CONSULT BERRIDGE FOR OPEN FRAME APPLICATIONS.

F = FINISH SIDE



Berridge
Manufacturing
Company

GABLE DETAIL

HR-16 PANEL

DATE: 05/25/10

PAGE\FILE

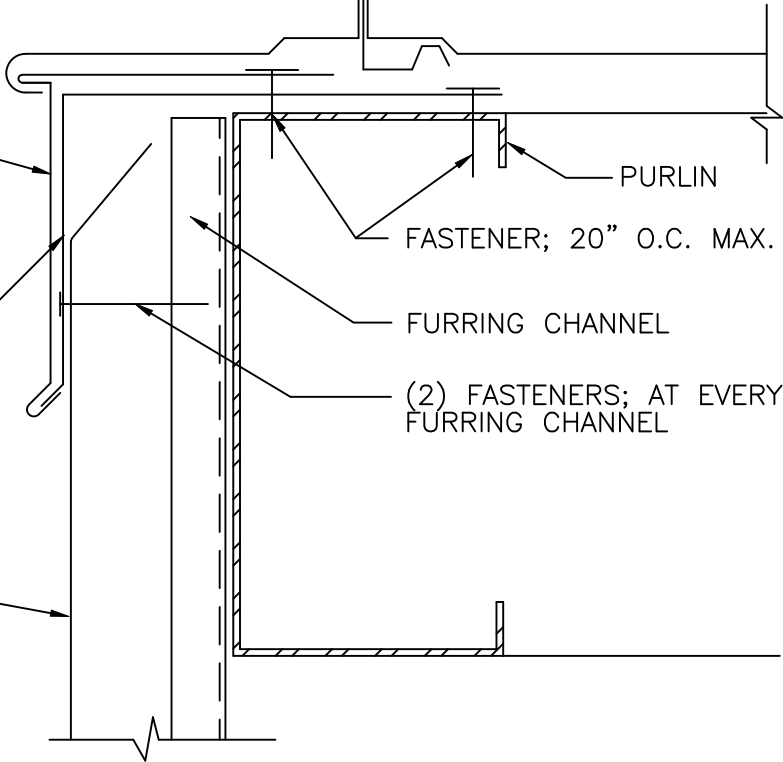
HS-22

BERRIDGE ROOF PANEL

DRIP FLASHING; 4" END LAPS WITH CONTINUOUS CAULK AT LAPS

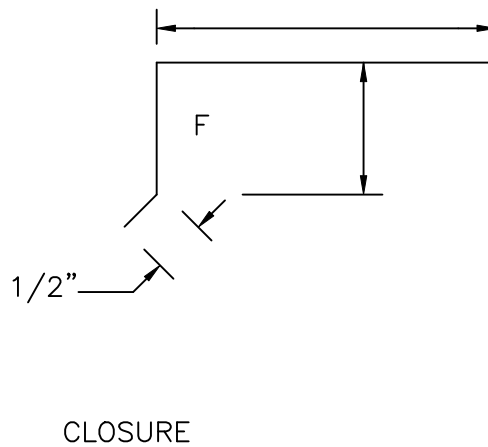
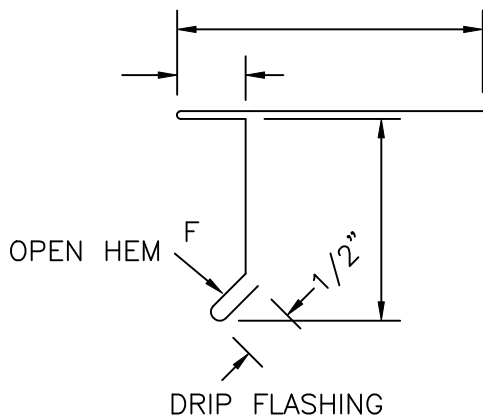
SUB FLASHING; 4" END LAPS WITH CONTINUOUS CAULK AT LAPS

BERRIDGE HS-PANEL



1. ALL CAULKING, AND FASTENERS, ARE ITEMS TO BE FURNISHED AND INSTALLED BY THE ROOFING INSTALLER AT THE DISCRETION OF THE ARCHITECT.
2. CONSULT BERRIDGE FOR OPEN FRAME APPLICATIONS.

F = FINISH SIDE



DATE: 05/25/10

GABLE DETAIL

PAGE\FILE
HS-23

HS - PANEL



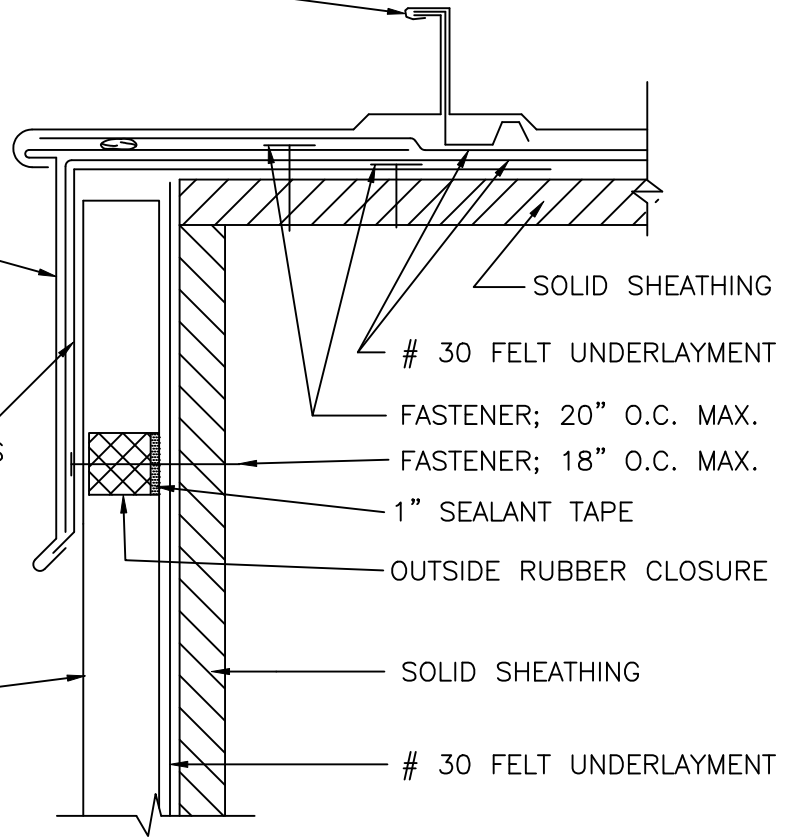
Berridge
Manufacturing
Company

BERRIDGE ROOF PANEL

DRIP FLASHING; 4" END LAPS WITH CONTINUOUS CAULK AT LAPS

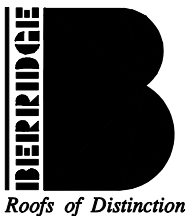
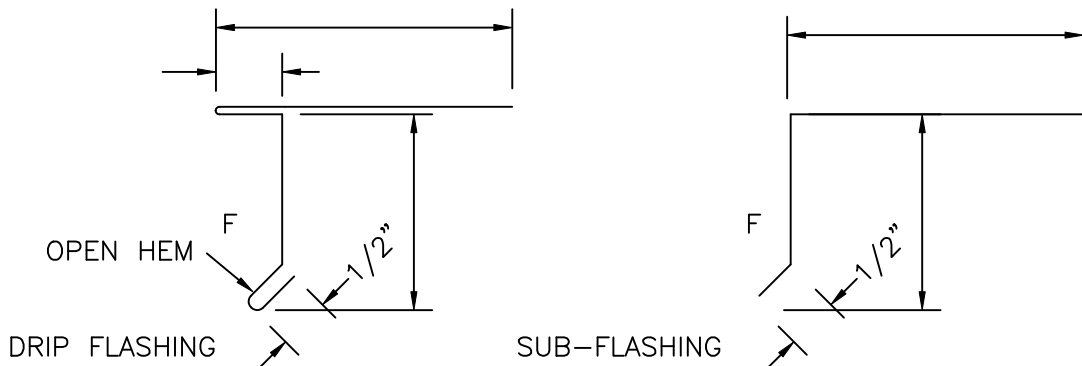
SUB-FLASHING; 4" END LAPS WITH CONTINUOUS CAULK AT LAPS

BERRIDGE HS-PANEL VERTICAL



1. SOLID SHEATHING (BY OTHERS) TO BE MINIMUM 1/2" PLYWOOD OR EQUIVALENT IN STRENGTH FOR HOLDING POWER OF FASTENERS.
2. ALL FELT UNDERLAYMENT, CAULKING, AND FASTENERS, ARE ITEMS TO BE FURNISHED AND INSTALLED BY THE ROOFING INSTALLER AT THE DISCRETION OF THE ARCHITECT.

F = FINISH SIDE



**Berridge
Manufacturing
Company**

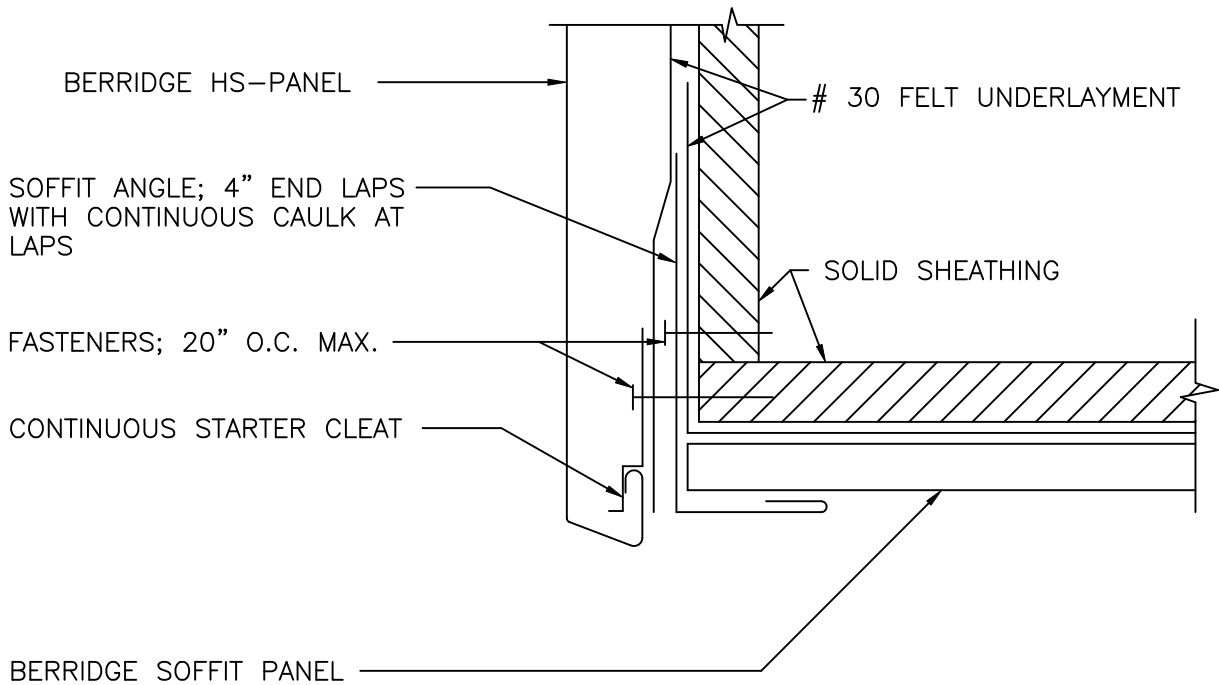
GABLE DETAIL
SOLID SHEATHING

HS - PANEL

DATE: 05/25/10

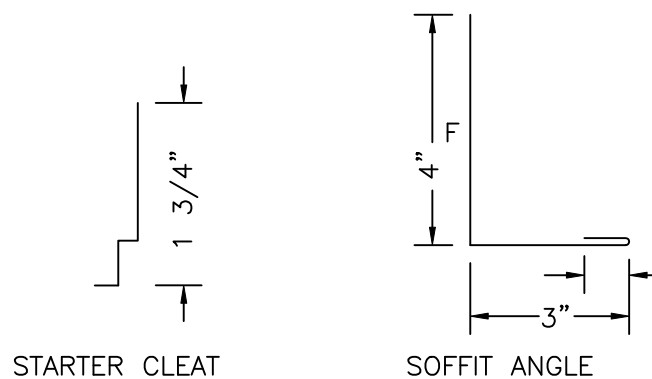
PAGE\FILE

HS-24



1. SOLID SHEATHING (BY OTHERS) TO BE MINIMUM 1/2" PLYWOOD OR EQUIVALENT IN STRENGTH FOR HOLDING POWER OF FASTENERS.
2. ALL FELT UNDERLAYMENT, CAULKING, AND FASTENERS, ARE ITEMS TO BE FURNISHED AND INSTALLED BY THE ROOFING INSTALLER AT THE DISCRETION OF THE ARCHITECT.

F = FINISH SIDE



**Berridge
Manufacturing
Company**

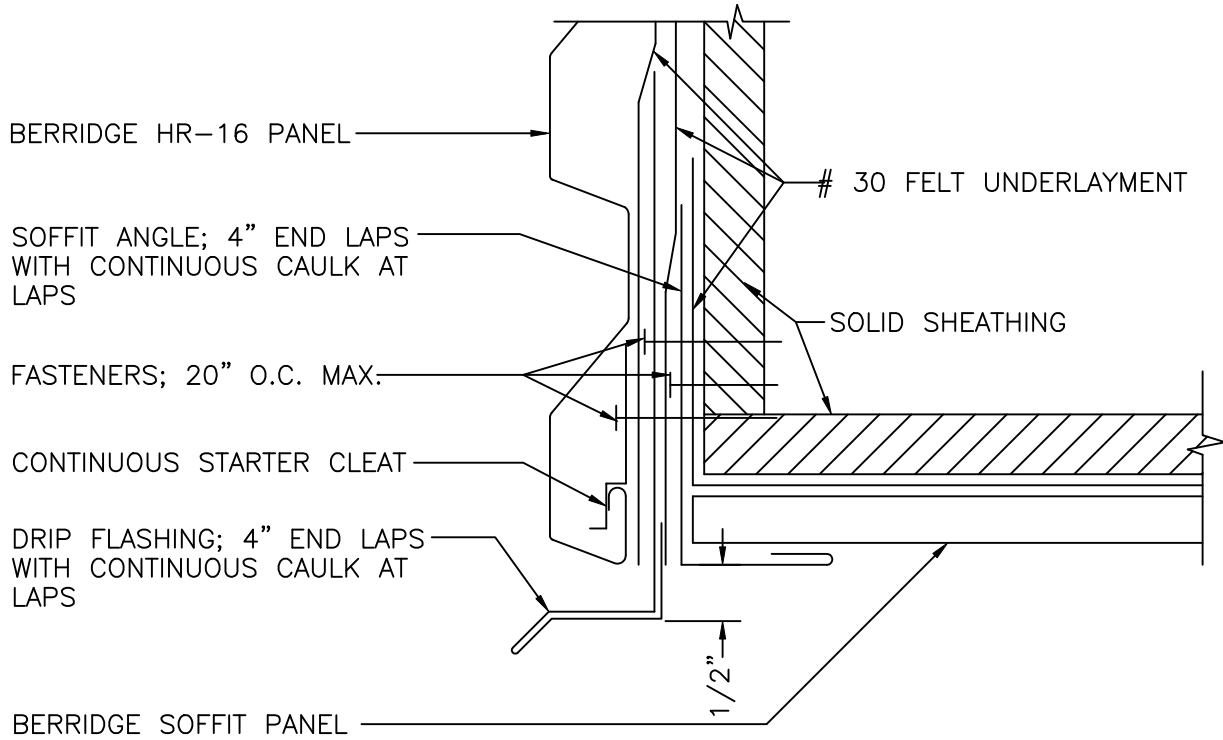
FASCIA/SOFFIT DETAIL
SOLID SHEATHING

HS - PANEL

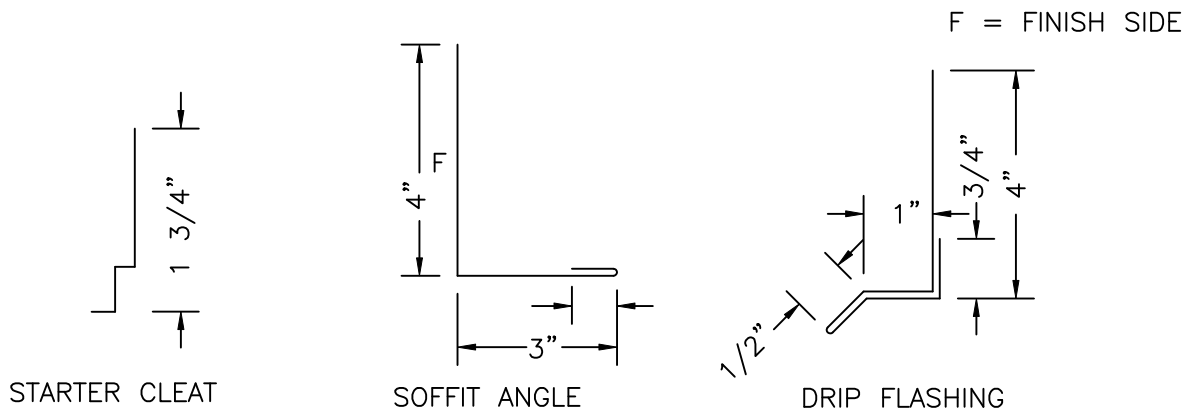
DATE: 05/25/10

PAGE\FILE

HS-30



1. SOLID SHEATHING (BY OTHERS) TO BE MINIMUM 1/2" PLYWOOD OR EQUIVALENT IN STRENGTH FOR HOLDING POWER OF FASTENERS.
2. ALL FELT UNDERLAYMENT, CAULKING, AND FASTENERS, ARE ITEMS TO BE FURNISHED AND INSTALLED BY THE ROOFING INSTALLER AT THE DISCRETION OF THE ARCHITECT.



DATE: 7/27/07

FASCIA/SOFFIT DETAIL
SOLID SHEATHING

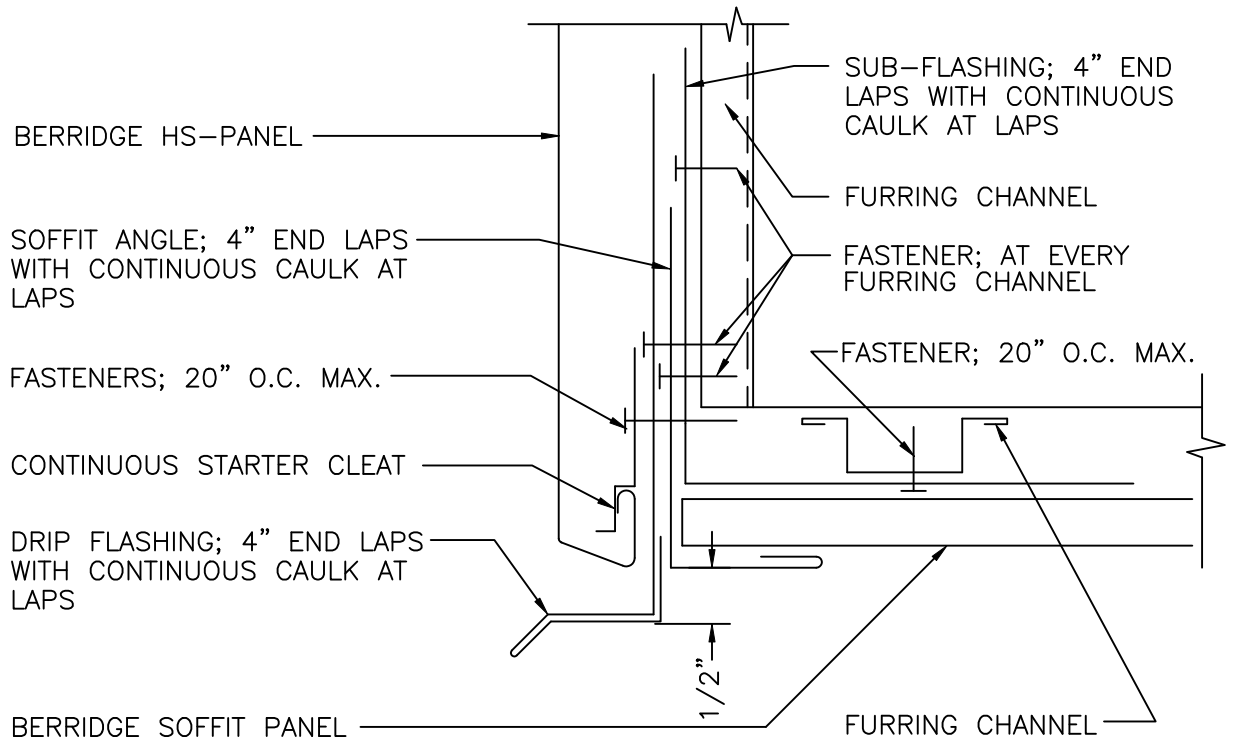
PAGE\FILE
HR-31

HR-16 PANEL

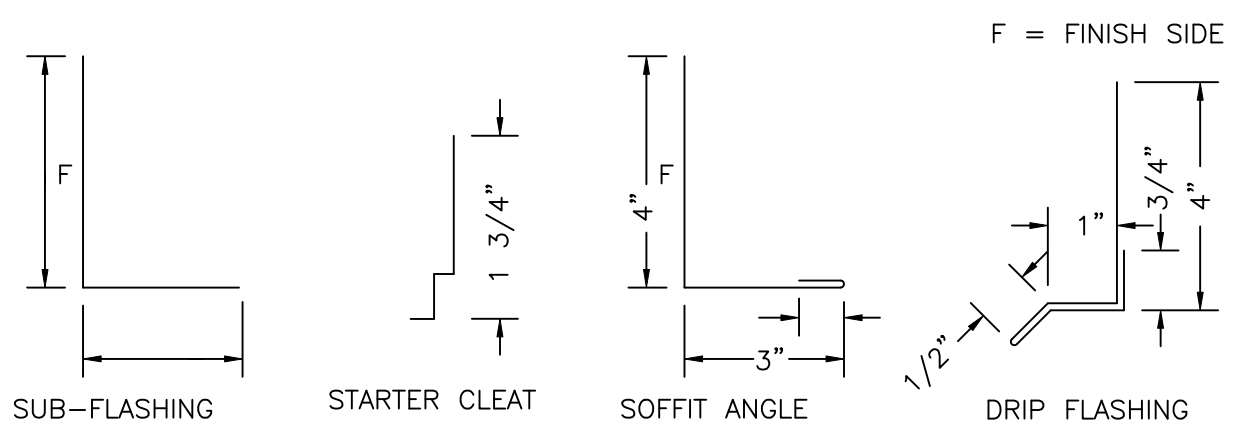


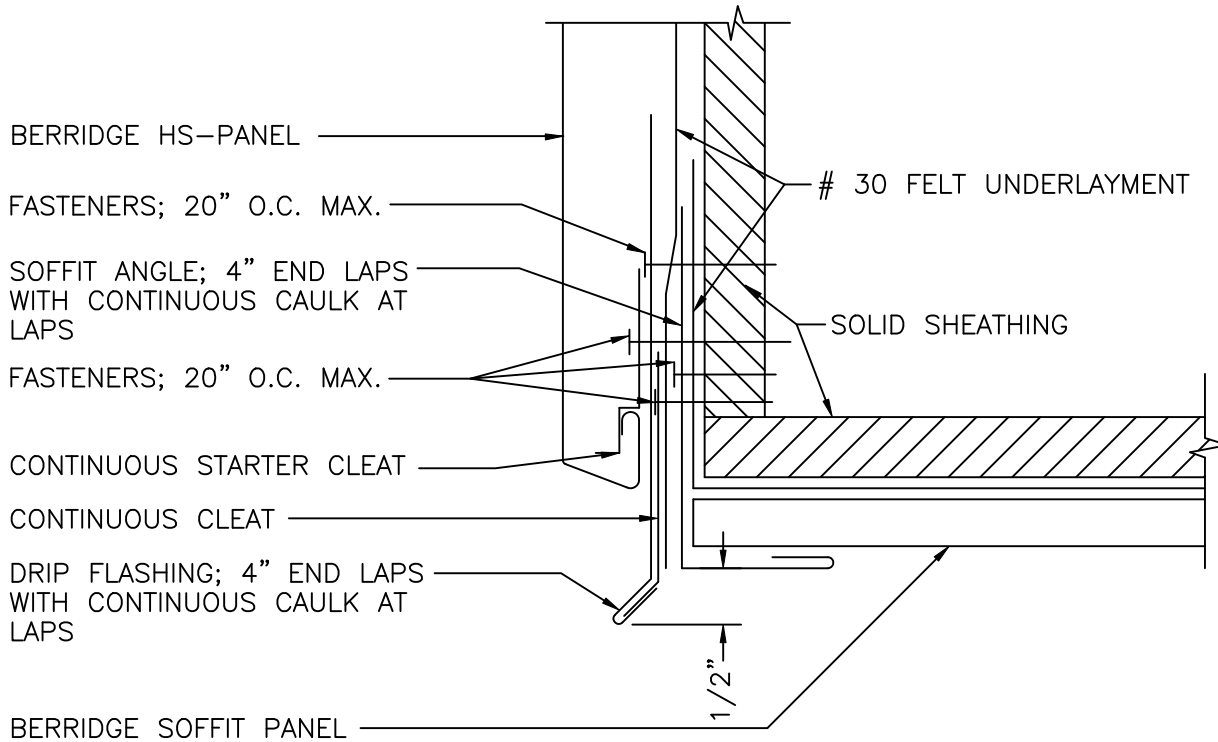
Berridge
Manufacturing
Company

Roofs of Distinction

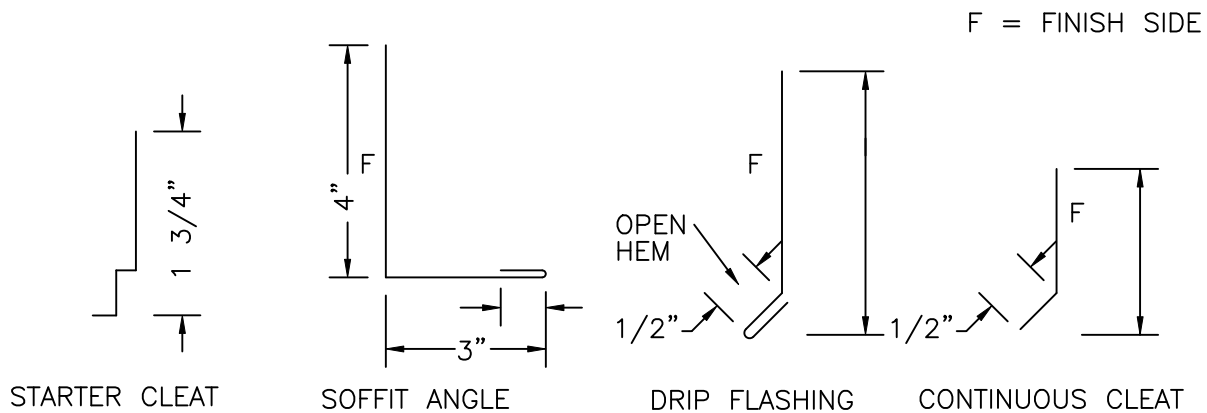


1. ALL CAULKING, AND FASTENERS, ARE ITEMS TO BE FURNISHED AND INSTALLED BY THE ROOFING INSTALLER AT THE DISCRETION OF THE ARCHITECT.
2. CONSULT BERRIDGE FOR OPEN FRAME APPLICATIONS.





1. SOLID SHEATHING (BY OTHERS) TO BE MINIMUM 1/2" PLYWOOD OR EQUIVALENT IN STRENGTH FOR HOLDING POWER OF FASTENERS.
2. ALL FELT UNDERLAYMENT, CAULKING, AND FASTENERS, ARE ITEMS TO BE FURNISHED AND INSTALLED BY THE ROOFING INSTALLER AT THE DISCRETION OF THE ARCHITECT.

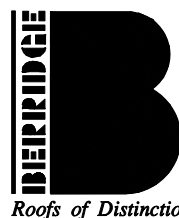


DATE: 05/25/10

FASCIA/SOFFIT DETAIL
SOLID SHEATHING

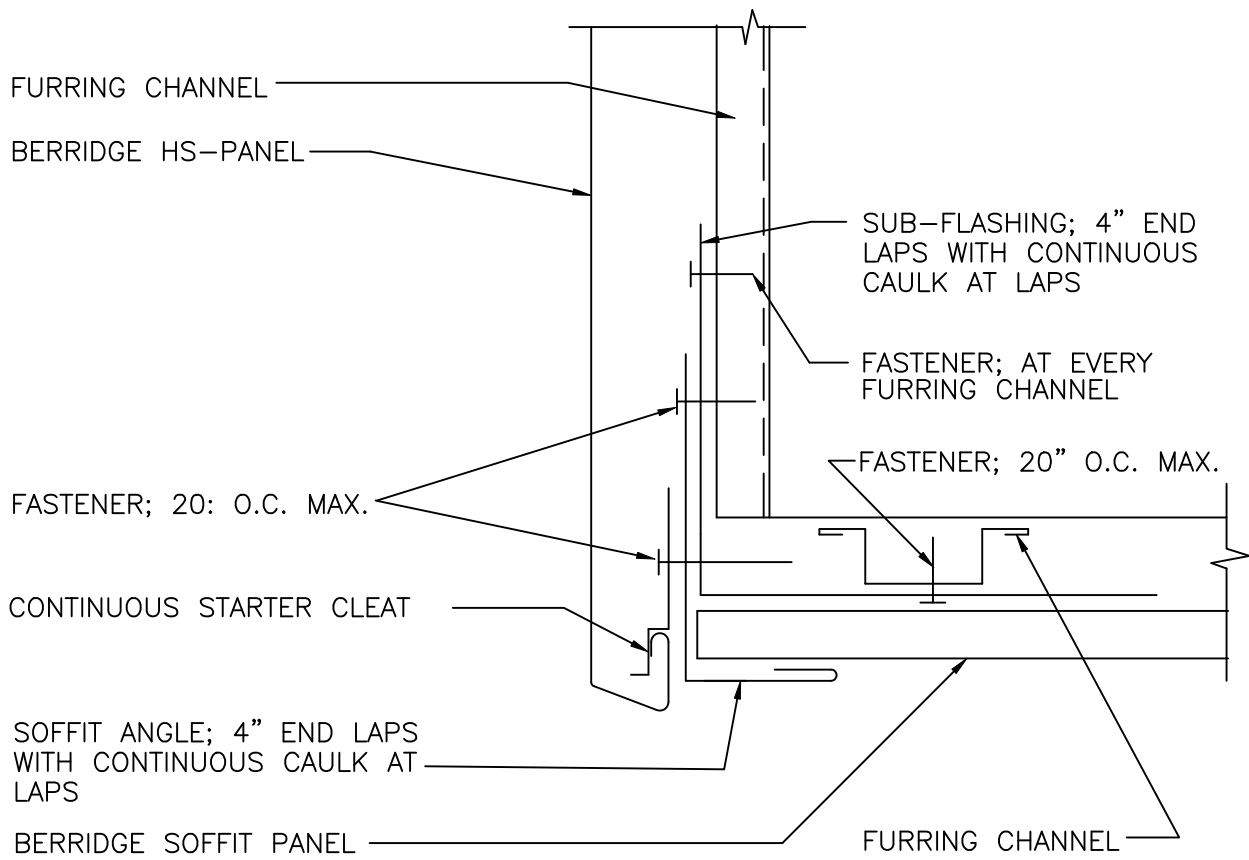
PAGE\FILE
HS-33

HS - PANEL

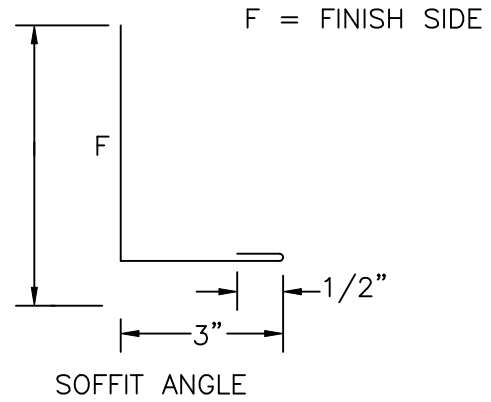
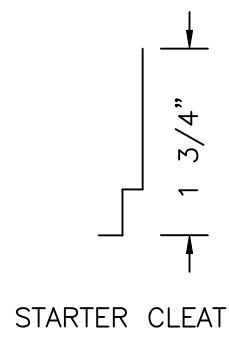
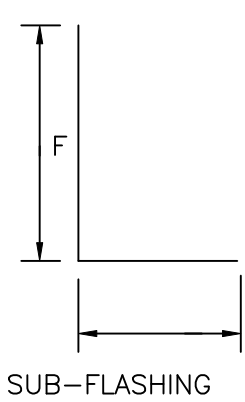


Berridge
Manufacturing
Company

Roofs of Distinction



1. ALL CAULKING, AND FASTENERS, ARE ITEMS TO BE FURNISHED AND INSTALLED BY THE ROOFING INSTALLER AT THE DISCRETION OF THE ARCHITECT.
2. CONSULT BERRIDGE FOR OPEN FRAME APPLICATIONS.



F = FINISH SIDE

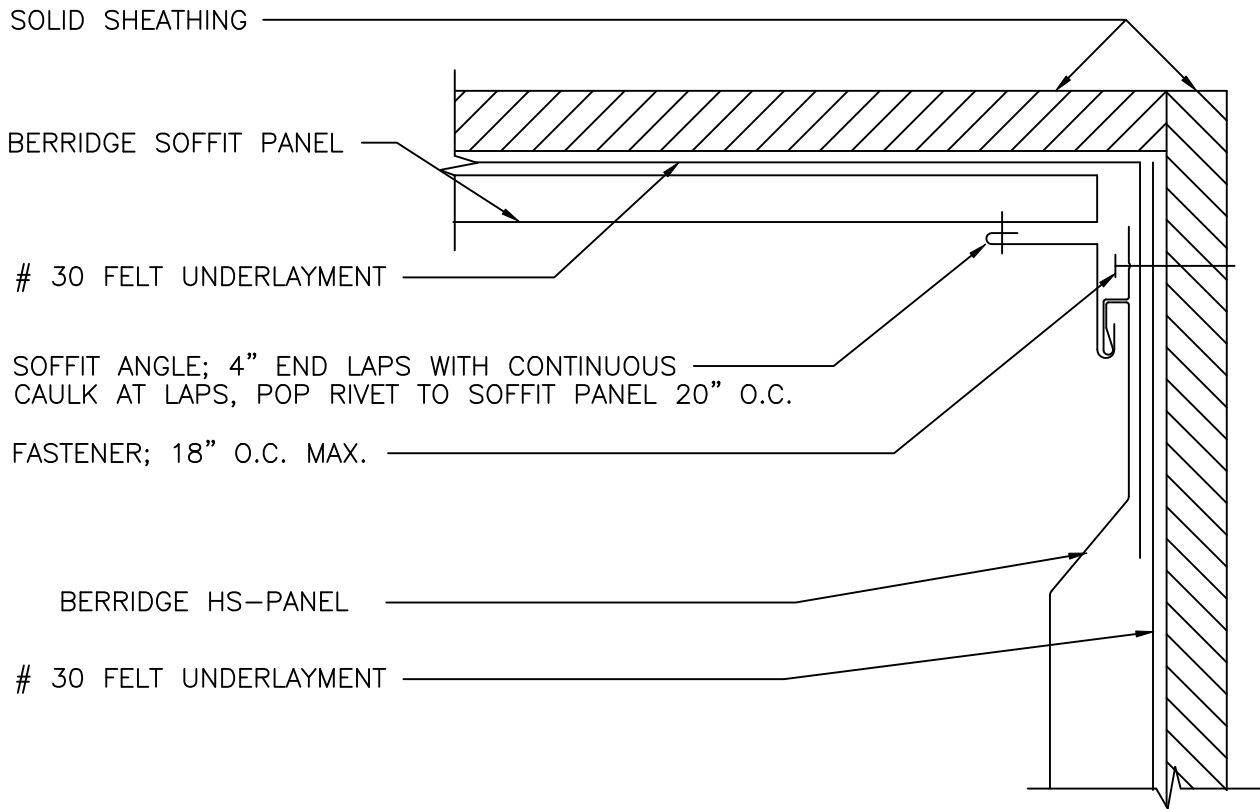
Berridge Manufacturing Company
Roofs of Distinction

FASCIA/SOFFIT DETAIL

HS - PANEL

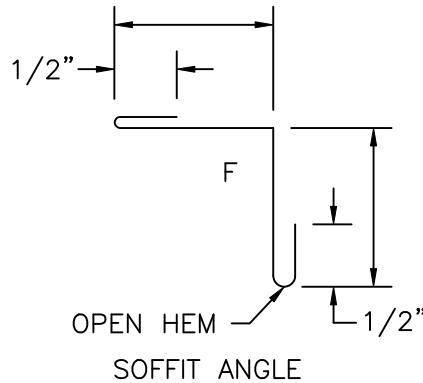
DATE: 05/25/10

PAGE\FILE
HS-34



1. SOLID SHEATHING (BY OTHERS) TO BE MINIMUM 1/2" PLYWOOD OR EQUIVALENT IN STRENGTH FOR HOLDING POWER OF FASTENERS.
2. ALL FELT UNDERLAYMENT, CAULKING, AND FASTENERS, ARE ITEMS TO BE FURNISHED AND INSTALLED BY THE ROOFING INSTALLER AT THE DISCRETION OF THE ARCHITECT.

F = FINISH SIDE



DATE: 05/25/10

WALL/SOFFIT DETAIL
SOLID SHEATHING

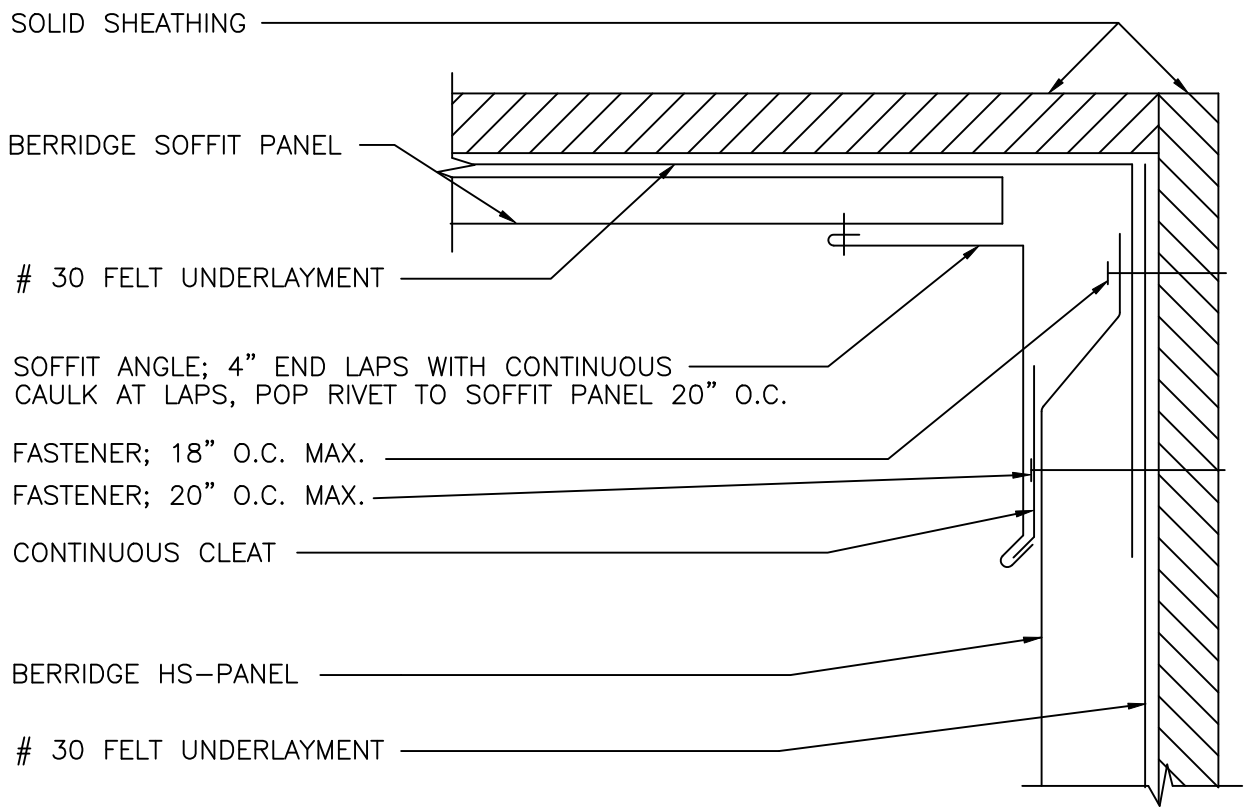
PAGE\FILE
HS-35

HS - PANEL



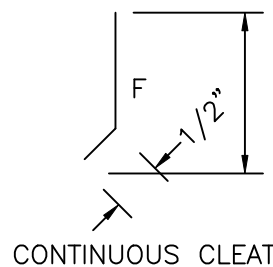
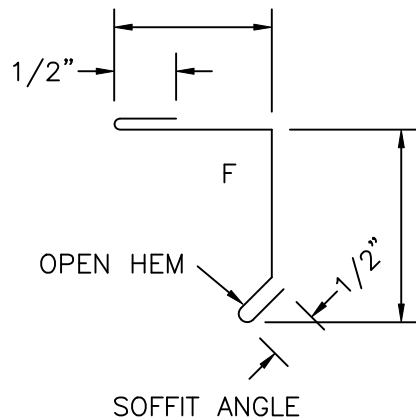
Berridge
Manufacturing
Company

Roofs of Distinction



1. SOLID SHEATHING (BY OTHERS) TO BE MINIMUM 1/2" PLYWOOD OR EQUIVALENT IN STRENGTH FOR HOLDING POWER OF FASTENERS.
2. ALL FELT UNDERLAYMENT, CAULKING, AND FASTENERS, ARE ITEMS TO BE FURNISHED AND INSTALLED BY THE ROOFING INSTALLER AT THE DISCRETION OF THE ARCHITECT.

F = FINISH SIDE



**Berridge
Manufacturing
Company**

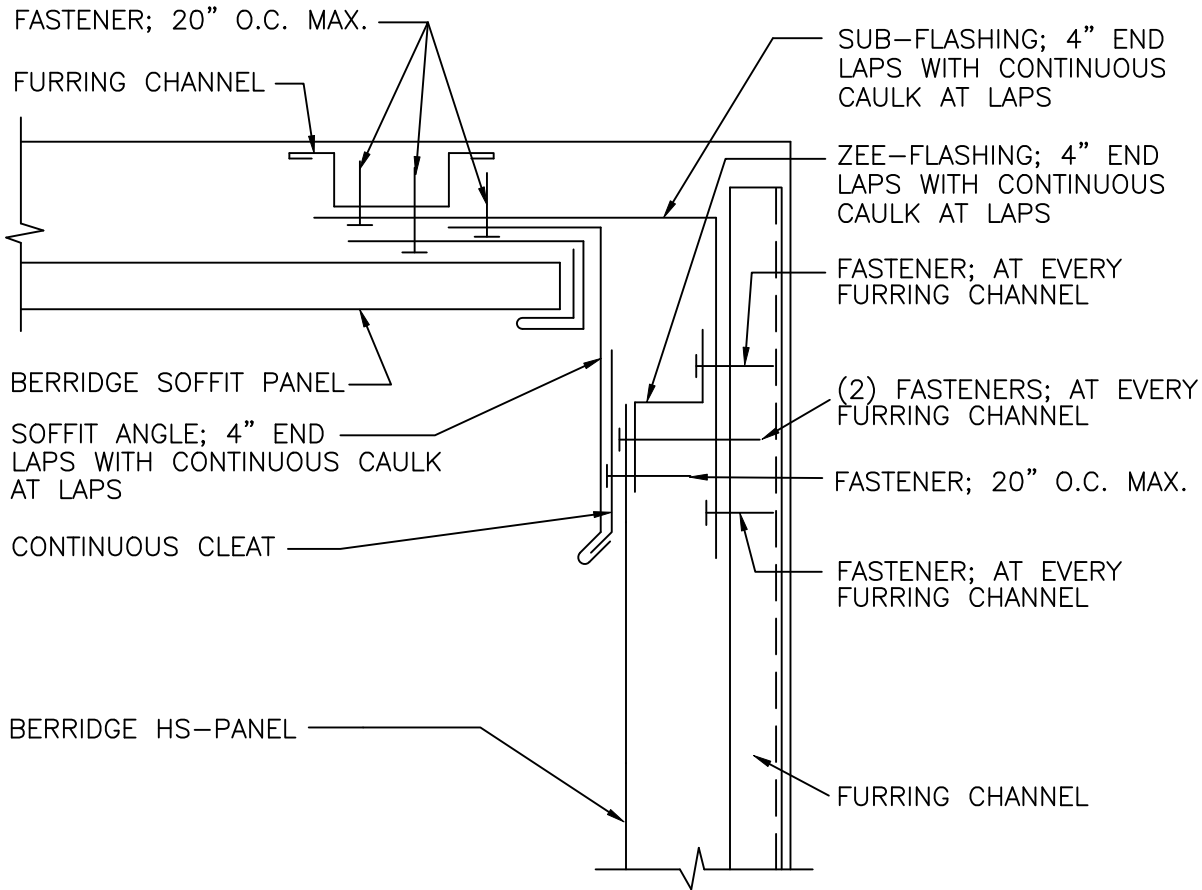
WALL/SOFFIT DETAIL
SOLID SHEATHING

HS - PANEL

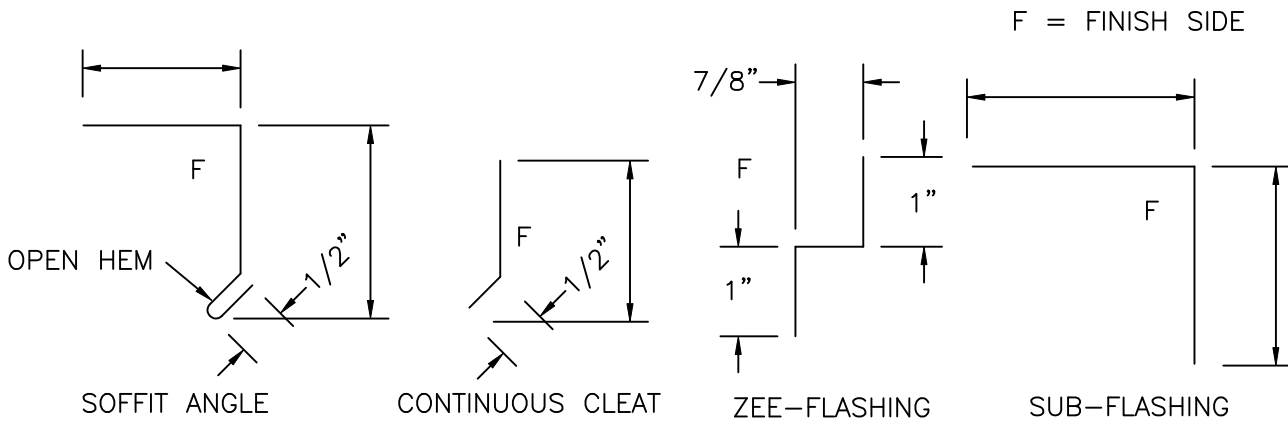
DATE: 05/25/10

PAGE\FILE

HS-36



1. ALL CAULKING, AND FASTENERS, ARE ITEMS TO BE FURNISHED AND INSTALLED BY THE ROOFING INSTALLER AT THE DISCRETION OF THE ARCHITECT.
2. CONSULT BERRIDGE FOR OPEN FRAME APPLICATIONS.

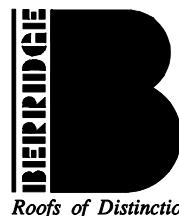


DATE: 05/25/10

WALL/SOFFIT DETAIL

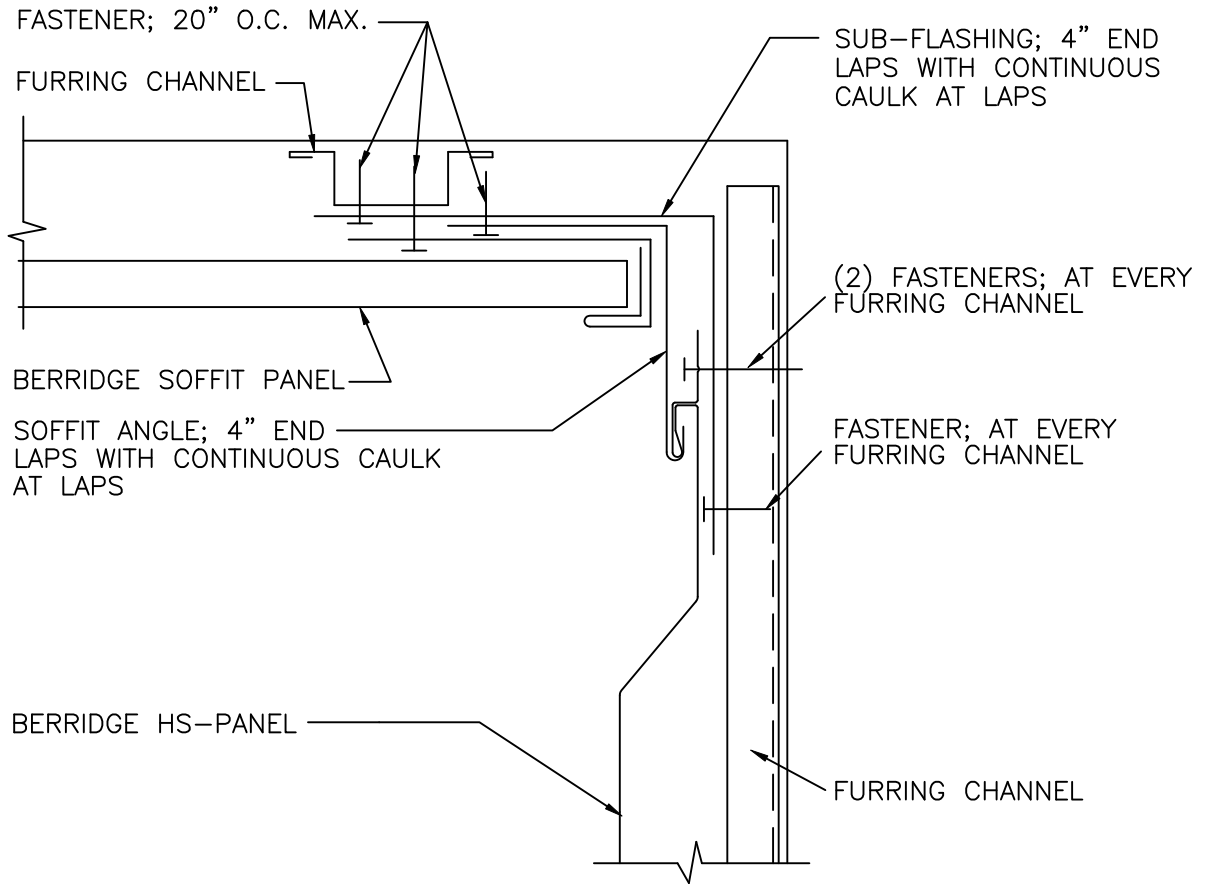
PAGE\FILE
HS-37

HS - PANEL

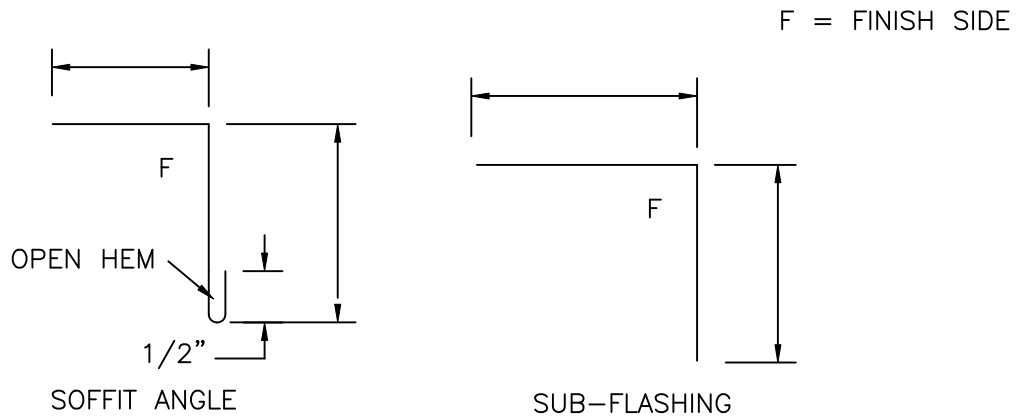


Berridge
Manufacturing
Company

Roofs of Distinction



1. ALL CAULKING, AND FASTENERS, ARE ITEMS TO BE FURNISHED AND INSTALLED BY THE ROOFING INSTALLER AT THE DISCRETION OF THE ARCHITECT.
2. CONSULT BERRIDGE FOR OPEN FRAME APPLICATIONS.



**Berridge
Manufacturing
Company**

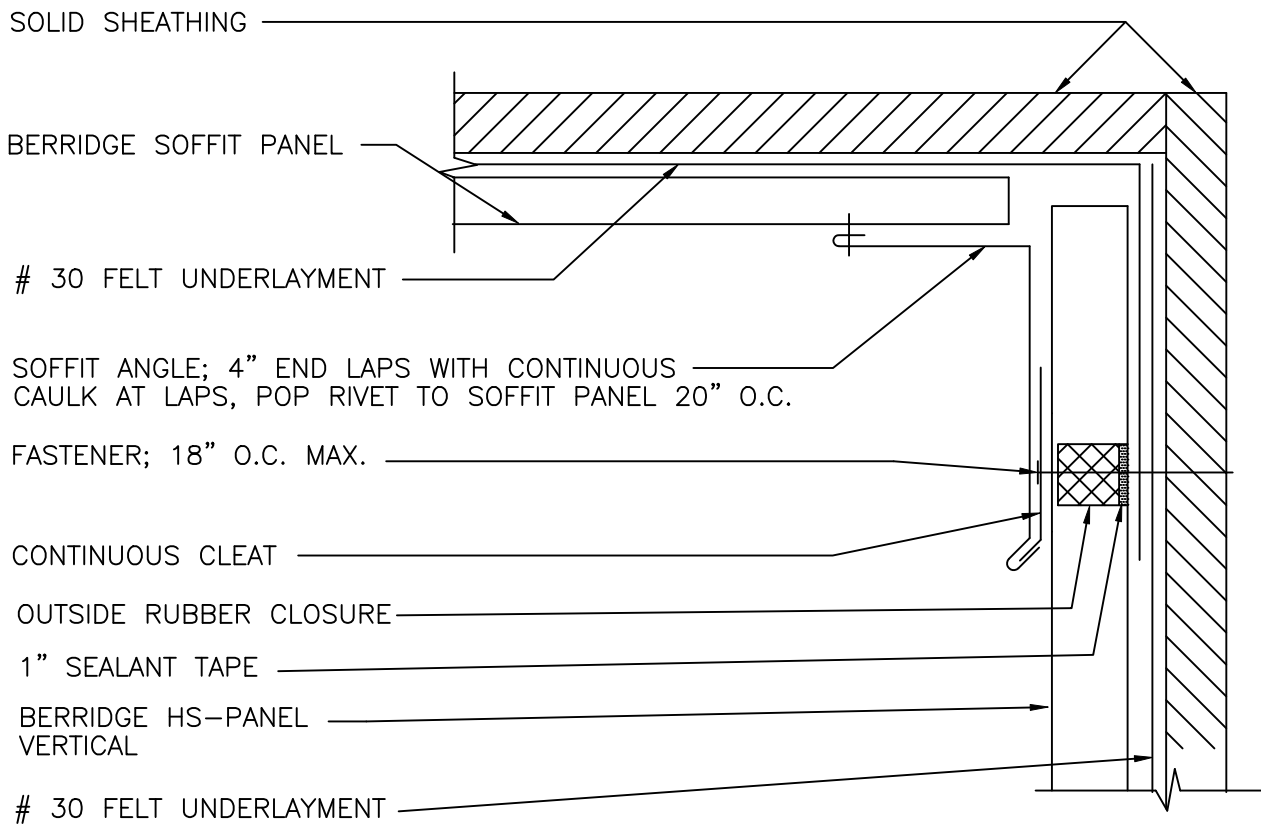
WALL/SOFFIT DETAIL

HS - PANEL

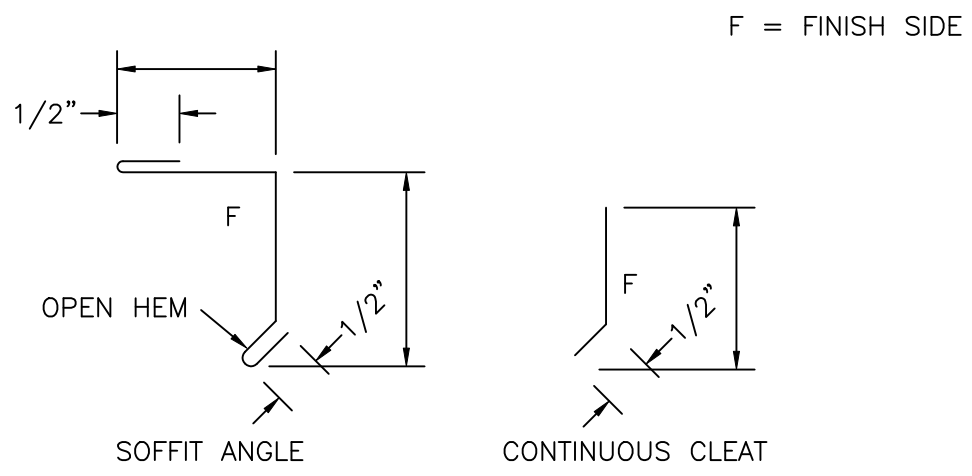
DATE: 05/25/10

PAGE\FILE

HS-38



1. SOLID SHEATHING (BY OTHERS) TO BE MINIMUM 1/2" PLYWOOD OR EQUIVALENT IN STRENGTH FOR HOLDING POWER OF FASTENERS.
2. ALL FELT UNDERLAYMENT, CAULKING, AND FASTENERS, ARE ITEMS TO BE FURNISHED AND INSTALLED BY THE ROOFING INSTALLER AT THE DISCRETION OF THE ARCHITECT.



DATE: 05/25/10

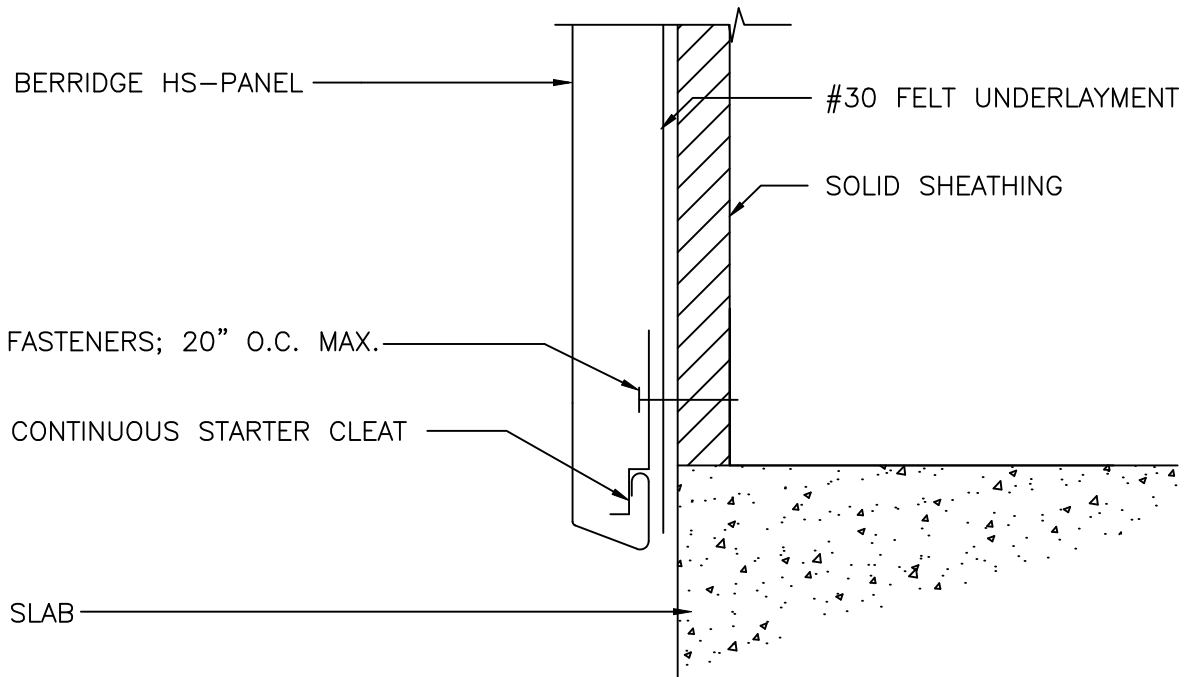
PAGE\FILE
HS-39

WALL/SOFFIT DETAIL
SOLID SHEATHING

HS - PANEL

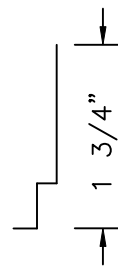
Berridge
Manufacturing
Company

Roofs of Distinction

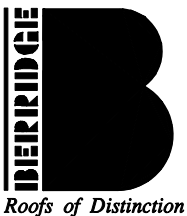


1. SOLID SHEATHING (BY OTHERS) TO BE MINIMUM 1/2" PLYWOOD OR EQUIVALENT IN STRENGTH FOR HOLDING POWER OF FASTENERS.
2. ALL FELT UNDERLAYMENT, CAULKING, AND FASTENERS, ARE ITEMS TO BE FURNISHED AND INSTALLED BY THE ROOFING INSTALLER AT THE DISCRETION OF THE ARCHITECT.

F = FINISH SIDE



STARTER CLEAT



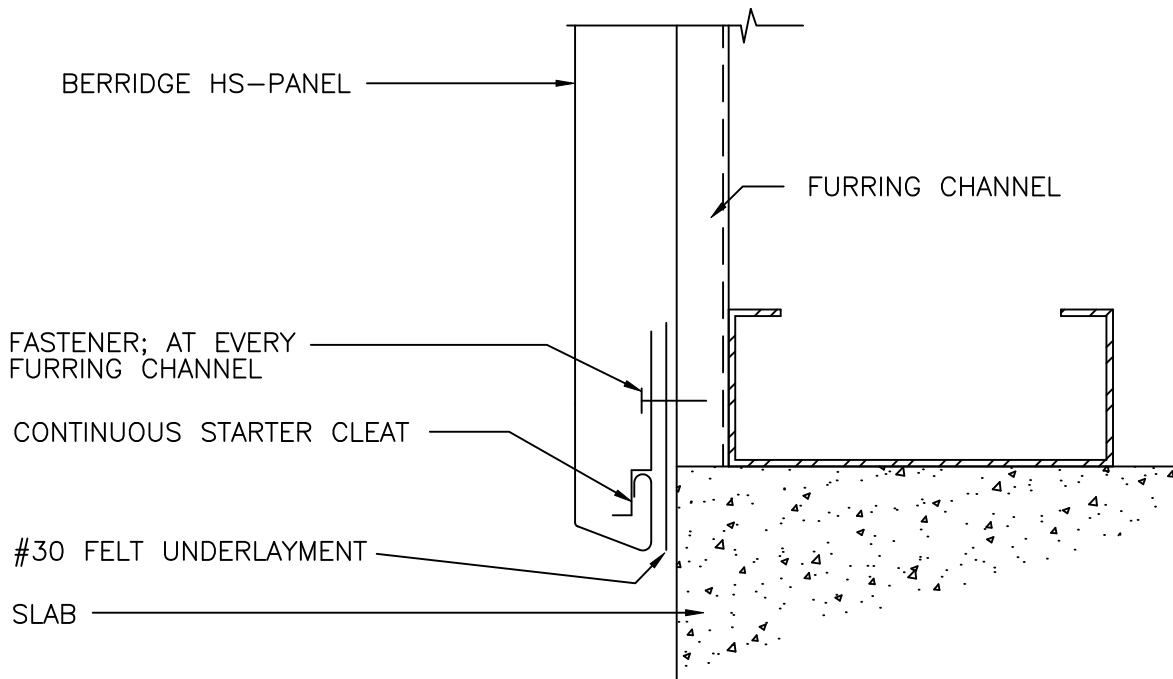
**Berridge
Manufacturing
Company**

SILL AT SLAB DETAIL
SOLID SHEATHING

HS - PANEL

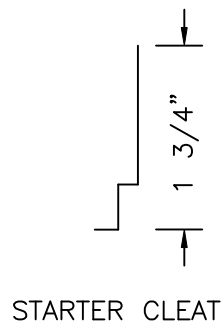
DATE: 05/25/10

PAGE\FILE
HS-40



1. ALL CAULKING, AND FASTENERS, ARE ITEMS TO BE FURNISHED AND INSTALLED BY THE ROOFING INSTALLER AT THE DISCRETION OF THE ARCHITECT.
2. CONSULT BERRIDGE FOR OPEN FRAME APPLICATIONS.

F = FINISH SIDE



DATE: 05/25/10

SILL AT SLAB DETAIL

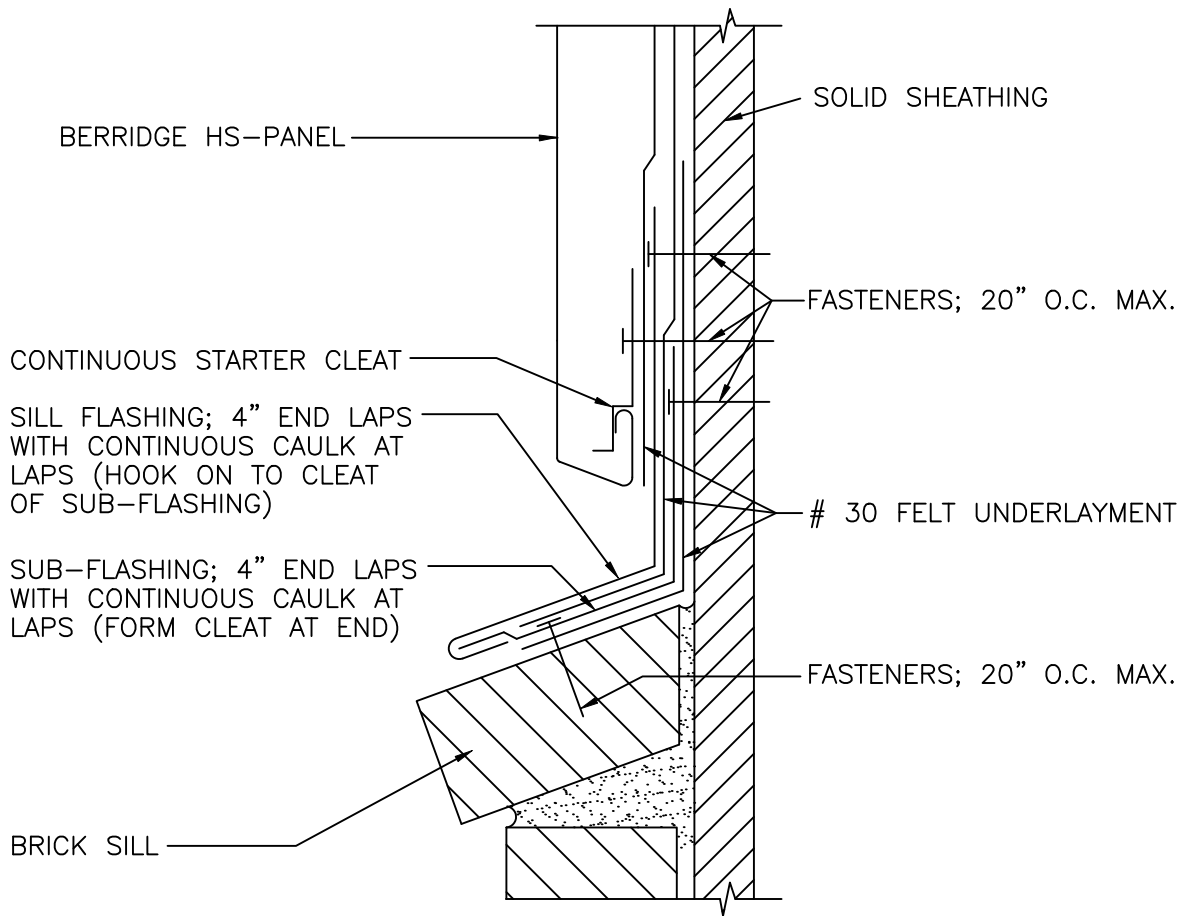
PAGE\FILE
HS-41

HS - PANEL

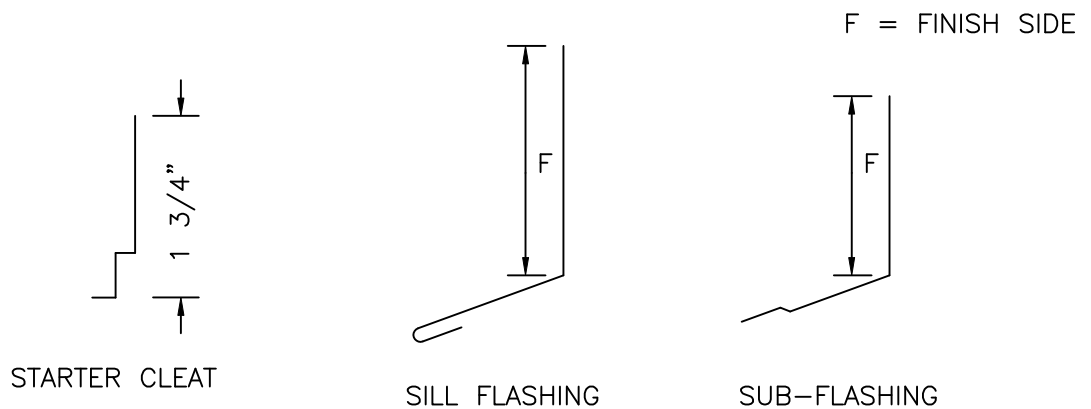


Berridge
Manufacturing
Company

Roofs of Distinction



1. SOLID SHEATHING (BY OTHERS) TO BE MINIMUM 1/2" PLYWOOD OR EQUIVALENT IN STRENGTH FOR HOLDING POWER OF FASTENERS.
2. ALL FELT UNDERLAYMENT, CAULKING, AND FASTENERS, ARE ITEMS TO BE FURNISHED AND INSTALLED BY THE ROOFING INSTALLER AT THE DISCRETION OF THE ARCHITECT.



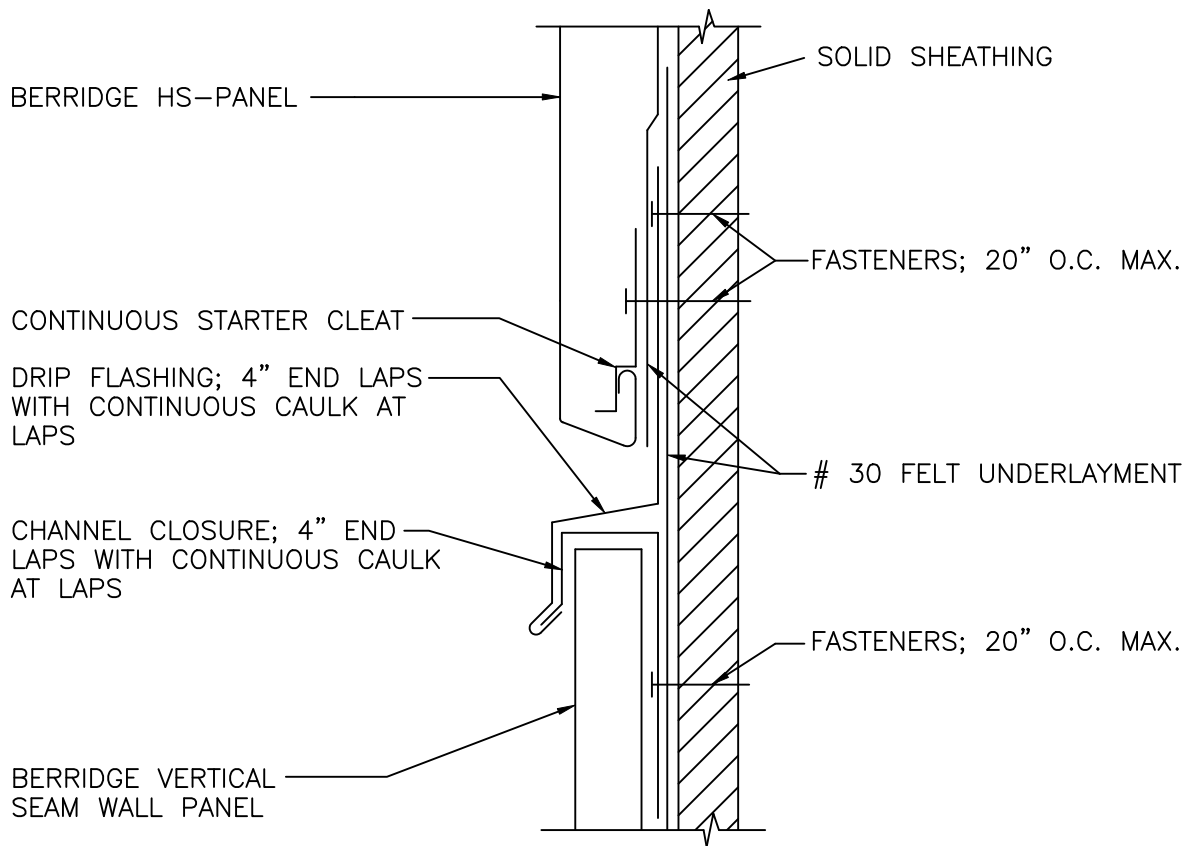
**Berridge
Manufacturing
Company**

SILL AT BRICK DETAIL
SOLID SHEATHING

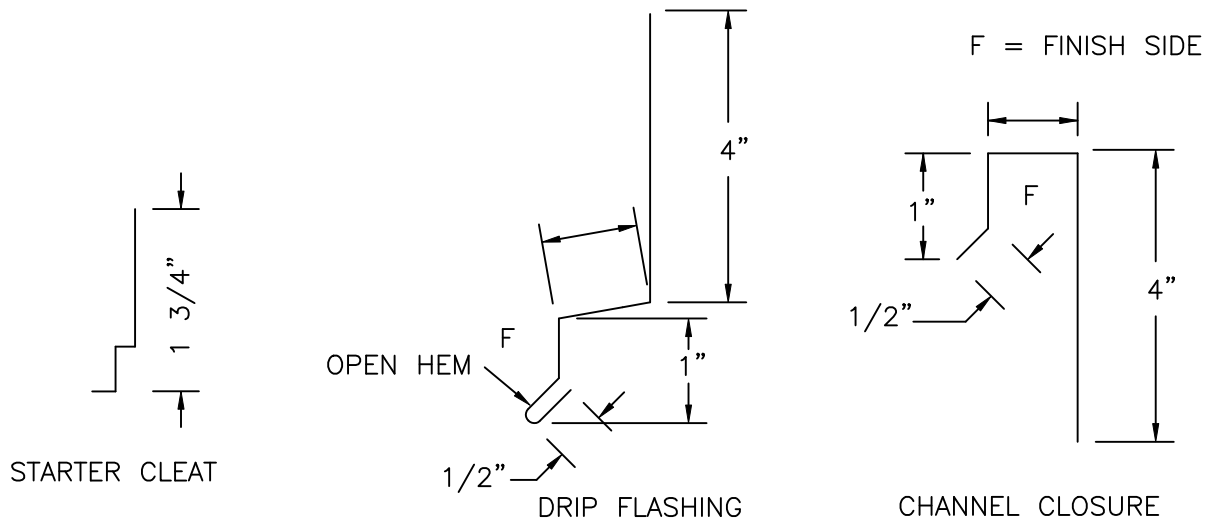
HS - PANEL

DATE: 05/25/10

PAGE\FILE
HS-42



1. SOLID SHEATHING (BY OTHERS) TO BE MINIMUM 1/2" PLYWOOD OR EQUIVALENT IN STRENGTH FOR HOLDING POWER OF FASTENERS.
2. ALL FELT UNDERLAYMENT, CAULKING, AND FASTENERS, ARE ITEMS TO BE FURNISHED AND INSTALLED BY THE ROOFING INSTALLER AT THE DISCRETION OF THE ARCHITECT.



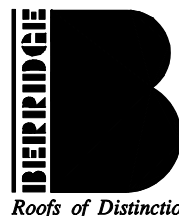
DATE: 05/25/10

SILL AT VERTICAL PANEL
SOLID SHEATHING

PAGE\FILE

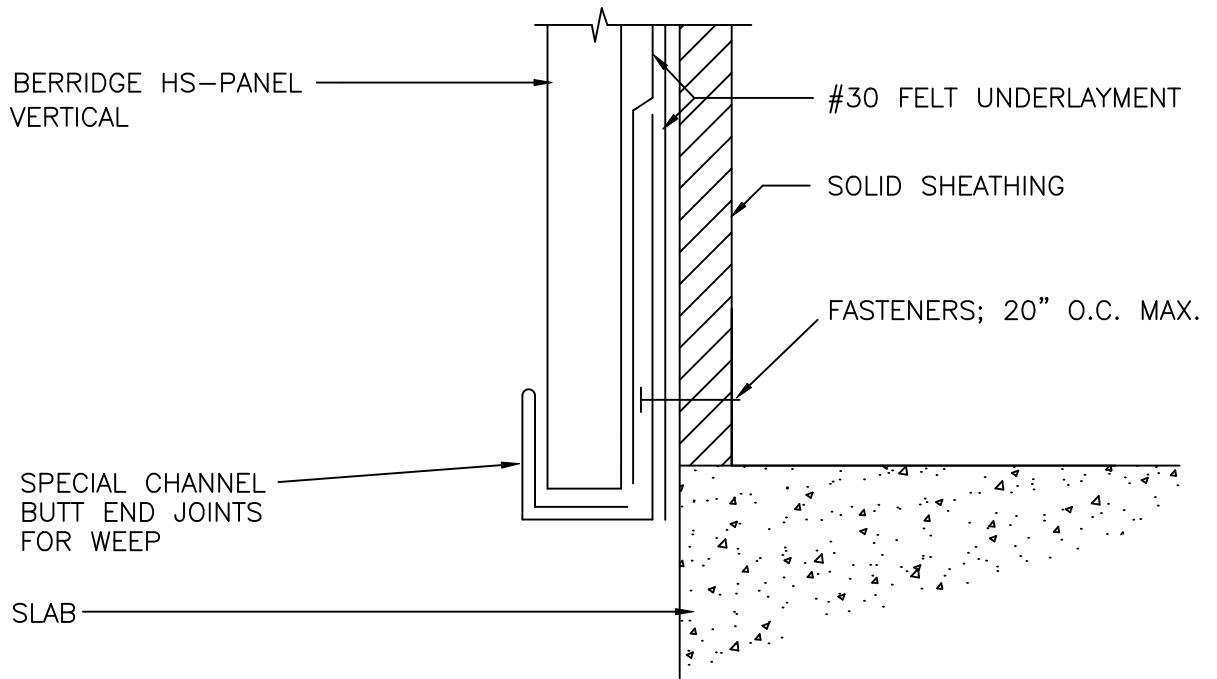
HS-43

HS - PANEL



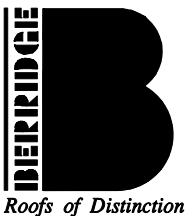
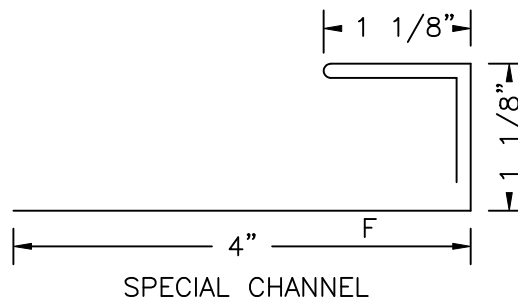
Berridge
Manufacturing
Company

Roofs of Distinction



1. SOLID SHEATHING (BY OTHERS) TO BE MINIMUM 1/2" PLYWOOD OR EQUIVALENT IN STRENGTH FOR HOLDING POWER OF FASTENERS.
2. ALL FELT UNDERLAYMENT, CAULKING, AND FASTENERS, ARE ITEMS TO BE FURNISHED AND INSTALLED BY THE ROOFING INSTALLER AT THE DISCRETION OF THE ARCHITECT.

F = FINISH SIDE



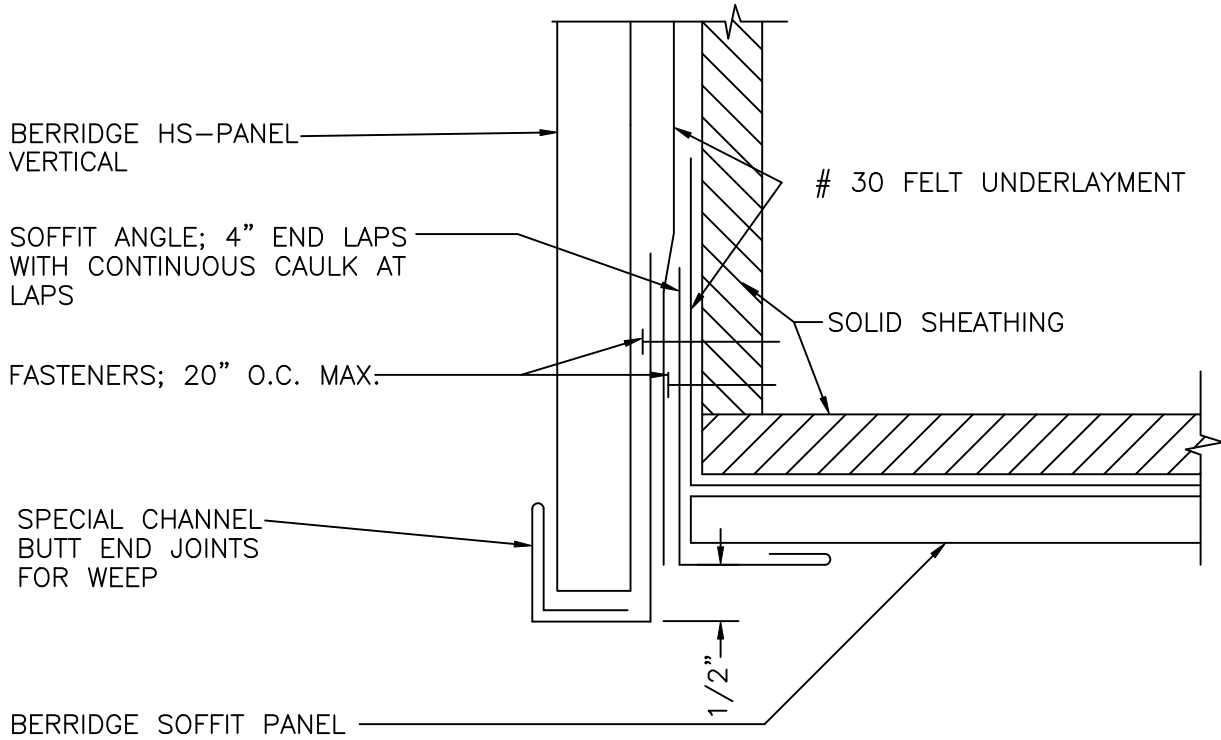
**Berridge
Manufacturing
Company**

SILL AT SLAB DETAIL
SOLID SHEATHING

HS - PANEL

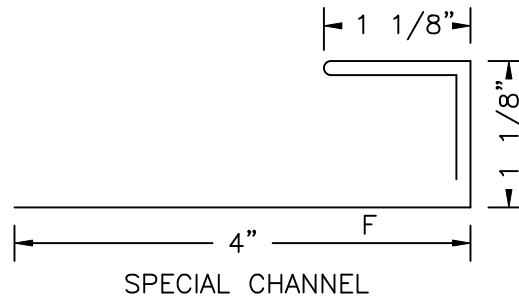
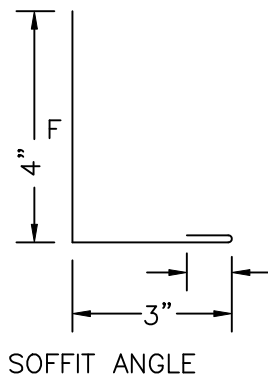
DATE: 5/25/10

PAGE\FILE
HS-44



1. SOLID SHEATHING (BY OTHERS) TO BE MINIMUM 1/2" PLYWOOD OR EQUIVALENT IN STRENGTH FOR HOLDING POWER OF FASTENERS.
2. ALL FELT UNDERLAYMENT, CAULKING, AND FASTENERS, ARE ITEMS TO BE FURNISHED AND INSTALLED BY THE ROOFING INSTALLER AT THE DISCRETION OF THE ARCHITECT.

F = FINISH SIDE



DATE: 5/25/10

FASCIA/SOFFIT DETAIL
SOLID SHEATHING

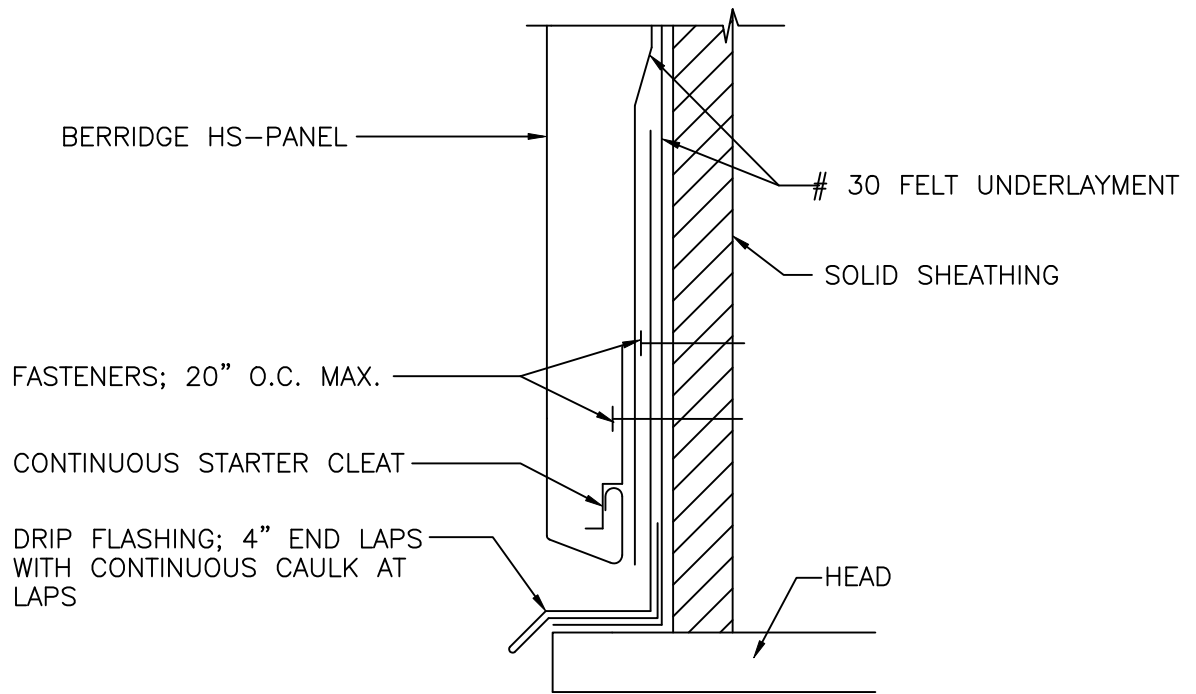
PAGE\FILE
HS-45

HS - PANEL

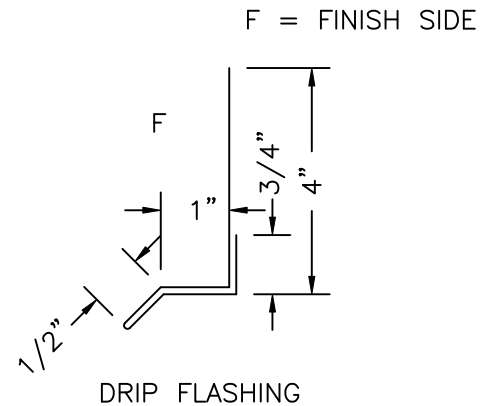
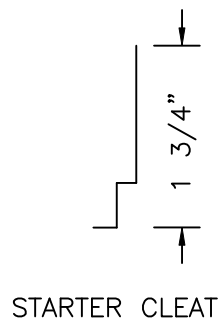


Berridge
Manufacturing
Company

Roofs of Distinction



1. SOLID SHEATHING (BY OTHERS) TO BE MINIMUM 1/2" PLYWOOD OR EQUIVALENT IN STRENGTH FOR HOLDING POWER OF FASTENERS.
2. ALL FELT UNDERLAYMENT, CAULKING, AND FASTENERS, ARE ITEMS TO BE FURNISHED AND INSTALLED BY THE ROOFING INSTALLER AT THE DISCRETION OF THE ARCHITECT.



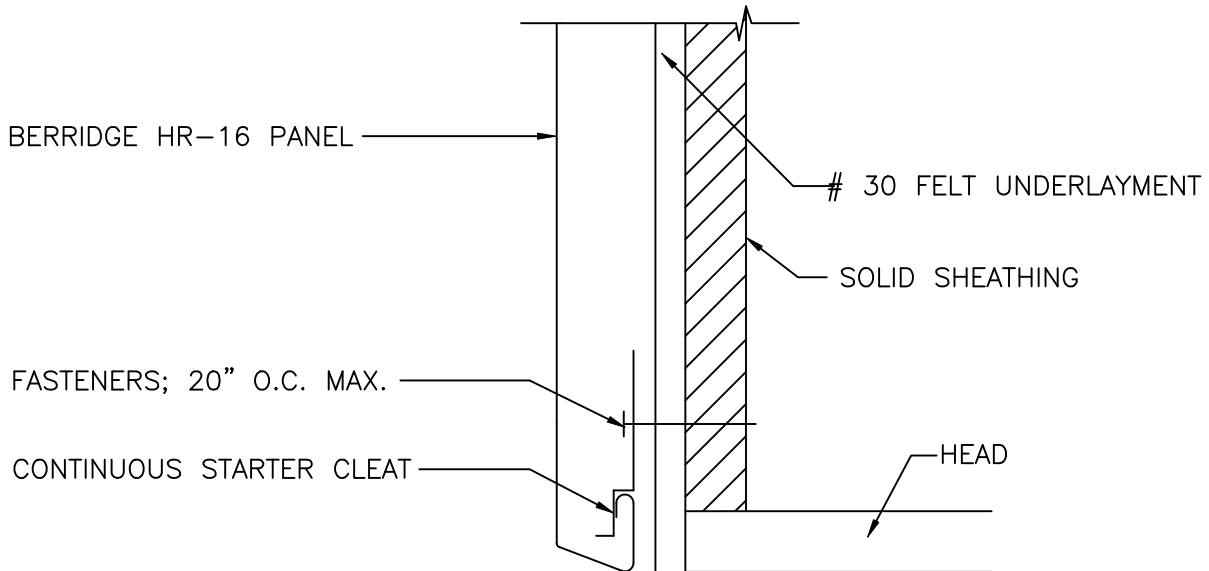
**Berridge
Manufacturing
Company**

HEADER DETAIL
SOLID SHEATHING

HS - PANEL

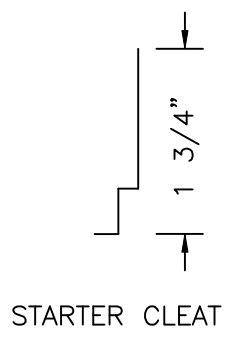
DATE: 05/25/10

PAGE\FILE
HS-50



1. SOLID SHEATHING (BY OTHERS) TO BE MINIMUM 1/2" PLYWOOD OR EQUIVALENT IN STRENGTH FOR HOLDING POWER OF FASTENERS.
2. ALL FELT UNDERLAYMENT, CAULKING, AND FASTENERS, ARE ITEMS TO BE FURNISHED AND INSTALLED BY THE ROOFING INSTALLER AT THE DISCRETION OF THE ARCHITECT.

F = FINISH SIDE



DATE: 05/25/10

HEADER DETAIL
SOLID SHEATHING

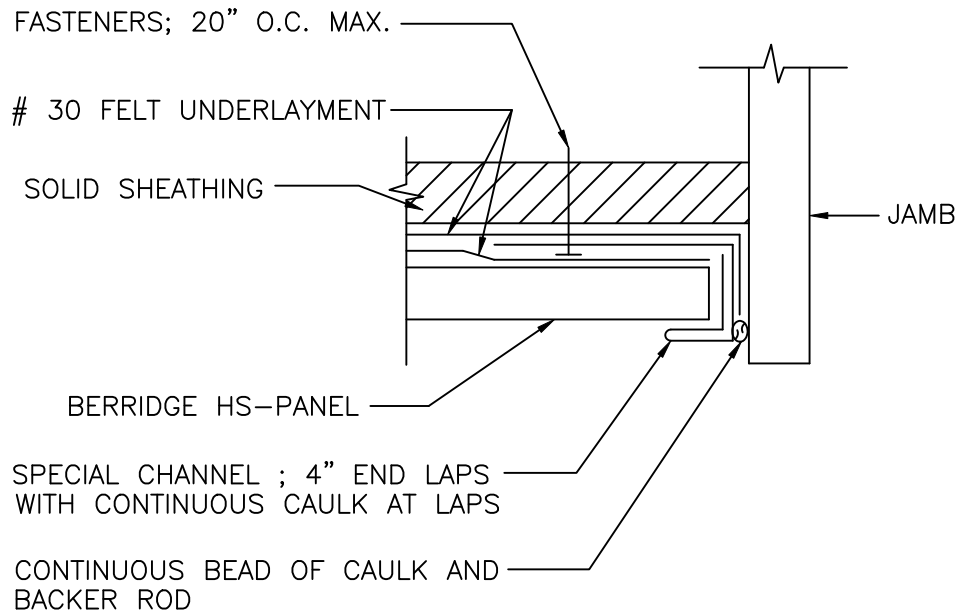
PAGE\FILE
HS-5I

HS - PANEL



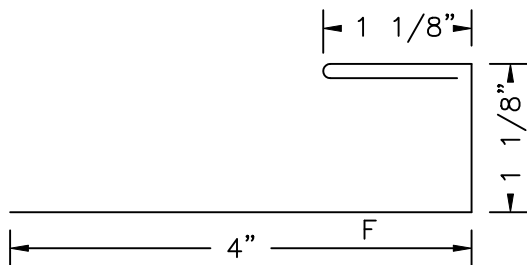
Berridge
Manufacturing
Company

Roofs of Distinction

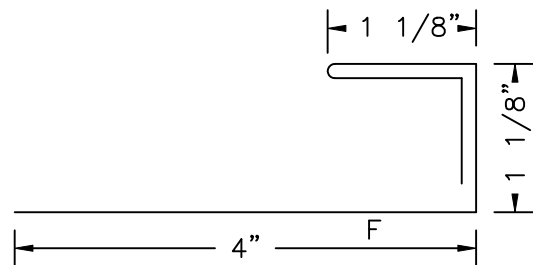


1. SOLID SHEATHING (BY OTHERS) TO BE MINIMUM 1/2" PLYWOOD OR EQUIVALENT IN STRENGTH FOR HOLDING POWER OF FASTENERS.
2. ALL FELT UNDERLAYMENT, CAULKING, AND FASTENERS, ARE ITEMS TO BE FURNISHED AND INSTALLED BY THE ROOFING INSTALLER AT THE DISCRETION OF THE ARCHITECT.

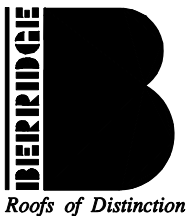
F = FINISH SIDE



STANDARD CHANNEL
USE WITH OUTSIDE
RUBBER CLOSURES



SPECIAL CHANNEL
USE WITH OUT
OUTSIDE RUBBER
CLOSURES



**Berridge
Manufacturing
Company**

Roofs of Distinction

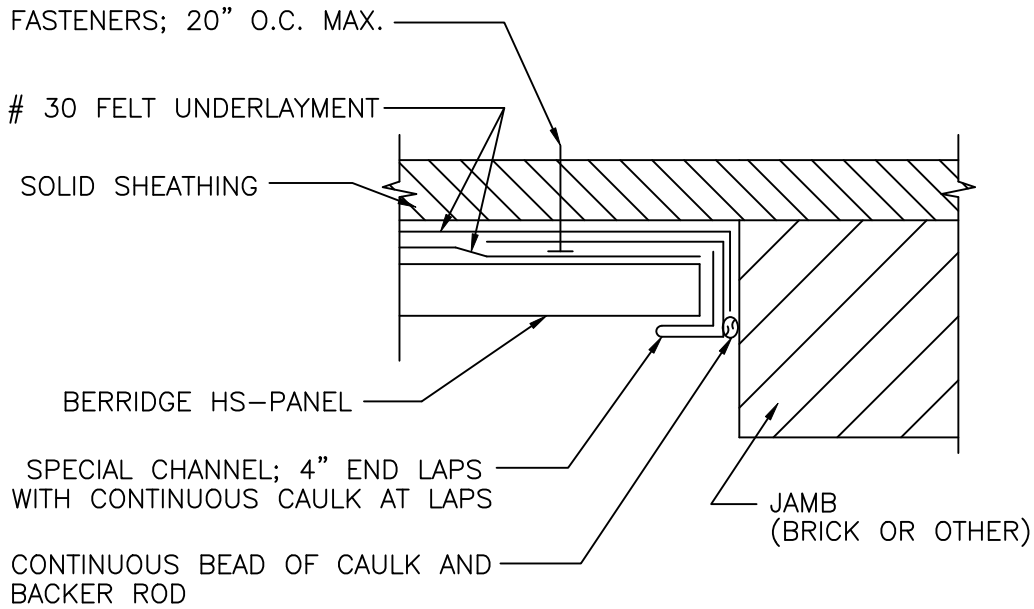
WINDOW/DOOR JAMB
SOLID SHEATHING

HS - PANEL

DATE: 05/25/10

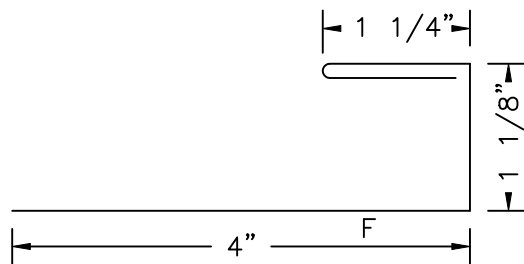
PAGE\FILE

HS-52

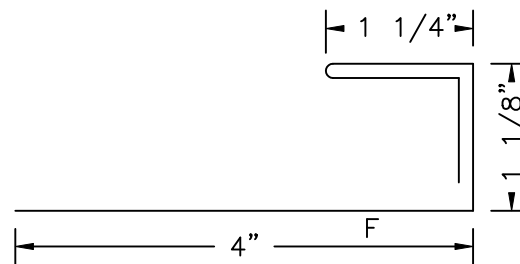


1. SOLID SHEATHING (BY OTHERS) TO BE MINIMUM 1/2" PLYWOOD OR EQUIVALENT IN STRENGTH FOR HOLDING POWER OF FASTENERS.
2. ALL FELT UNDERLAYMENT, CAULKING, AND FASTENERS, ARE ITEMS TO BE FURNISHED AND INSTALLED BY THE ROOFING INSTALLER AT THE DISCRETION OF THE ARCHITECT.

F = FINISH SIDE



STANDARD CHANNEL
USE WITH OUTSIDE
RUBBER CLOSURES



SPECIAL CHANNEL
USE WITH OUT
OUTSIDE RUBBER
CLOSURES

DATE: 05/25/10

JAMB DETAIL SOLID SHEATHING

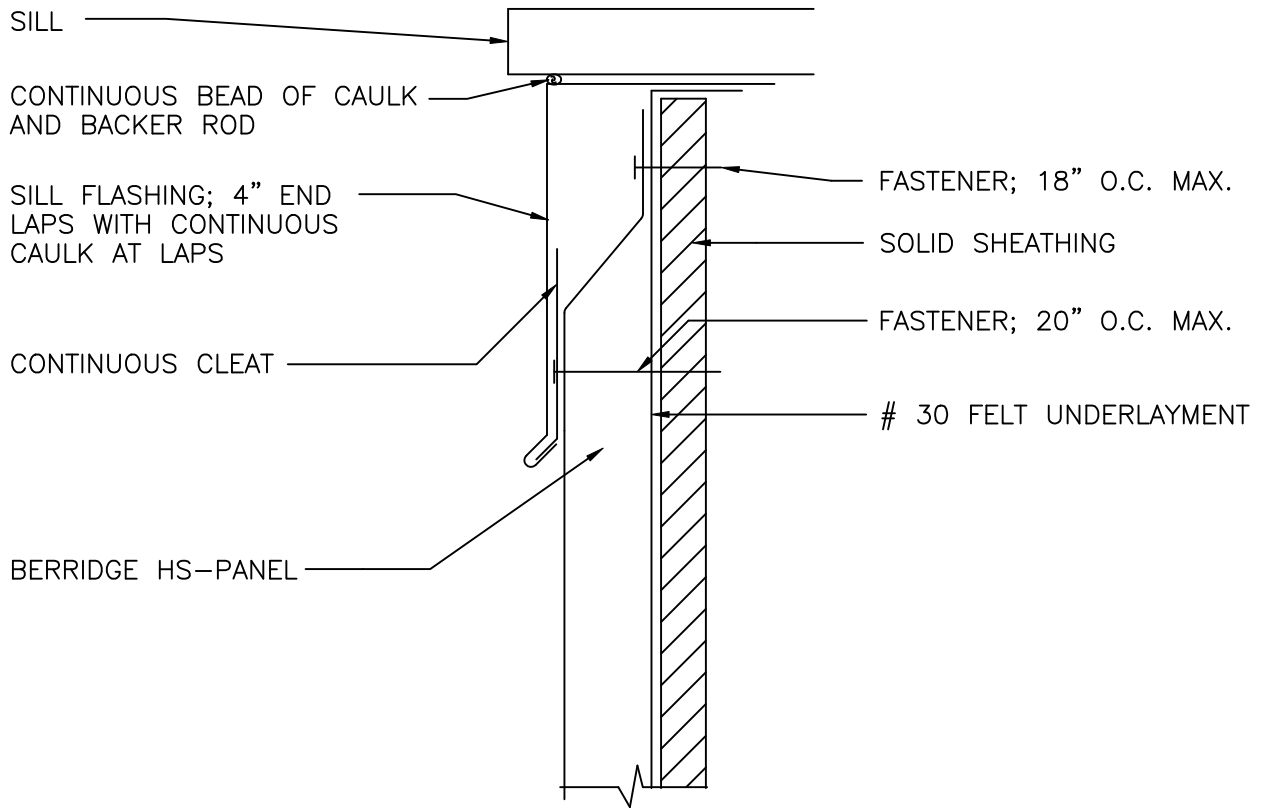
PAGE\FILE
HS-53

HS - PANEL



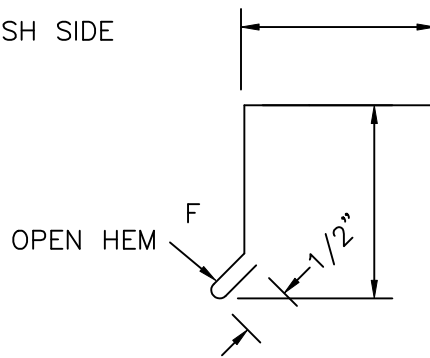
**Berridge
Manufacturing
Company**

Roofs of Distinction

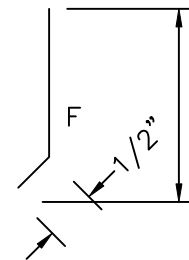


1. SOLID SHEATHING (BY OTHERS) TO BE MINIMUM 1/2" PLYWOOD OR EQUIVALENT IN STRENGTH FOR HOLDING POWER OF FASTENERS.
2. ALL FELT UNDERLAYMENT, CAULKING, AND FASTENERS, ARE ITEMS TO BE FURNISHED AND INSTALLED BY THE ROOFING INSTALLER AT THE DISCRETION OF THE ARCHITECT.

F = FINISH SIDE



SILL FLASHING



CONTINUOUS CLEAT



**Berridge
Manufacturing
Company**

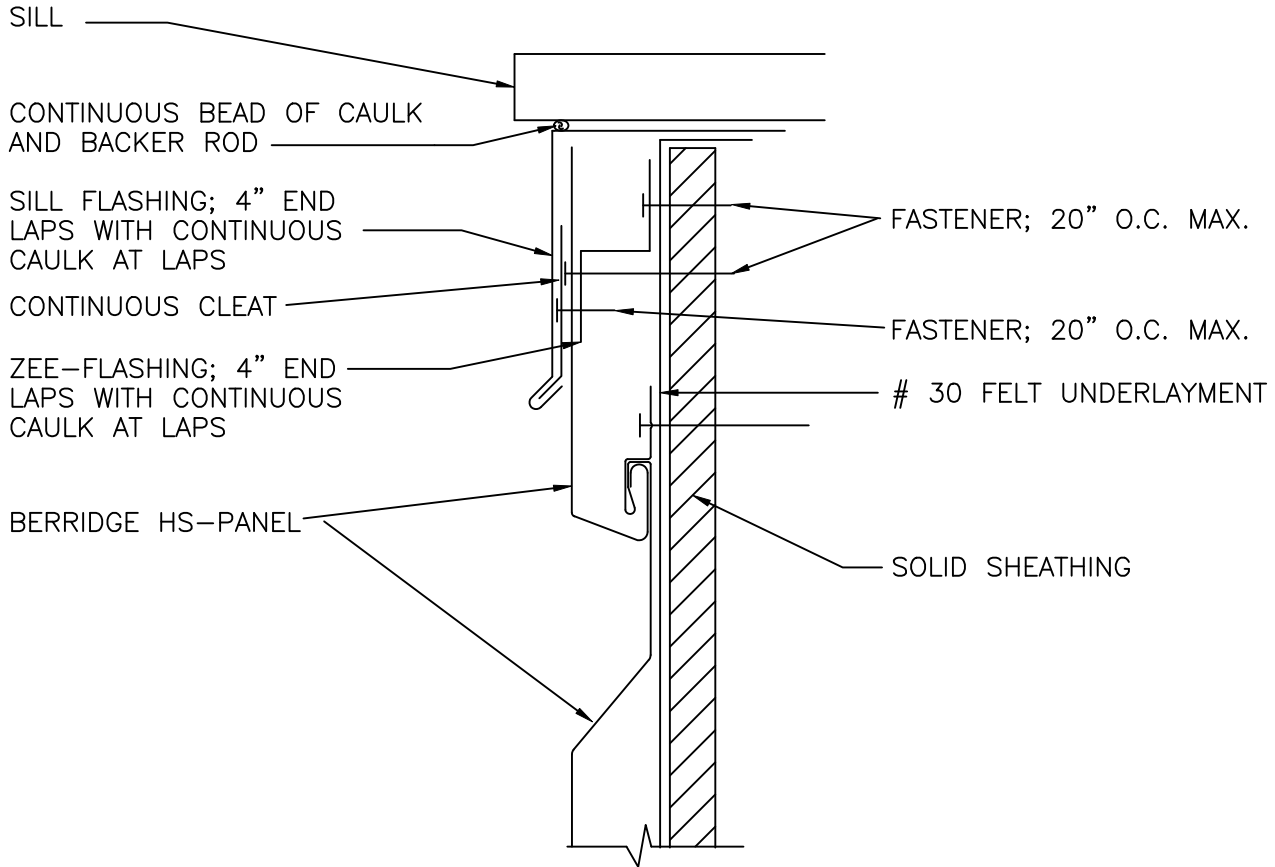
SILL DETAIL
SOLID SHEATHING

HS - PANEL

DATE: 05/25/10

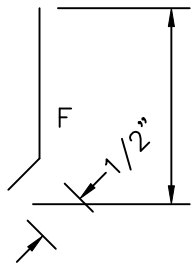
PAGE\FILE

HS-54

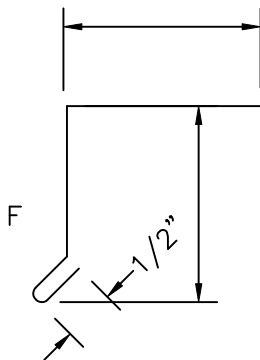


1. SOLID SHEATHING (BY OTHERS) TO BE MINIMUM 1/2" PLYWOOD OR EQUIVALENT IN STRENGTH FOR HOLDING POWER OF FASTENERS.
2. ALL FELT UNDERLAYMENT, CAULKING, AND FASTENERS, ARE ITEMS TO BE FURNISHED AND INSTALLED BY THE ROOFING INSTALLER AT THE DISCRETION OF THE ARCHITECT.

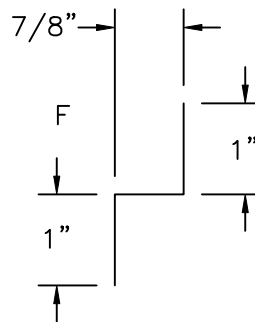
F = FINISH SIDE



CONTINUOUS CLEAT



SILL FLASHING



ZEE-FLASHING

DATE: 05/25/10

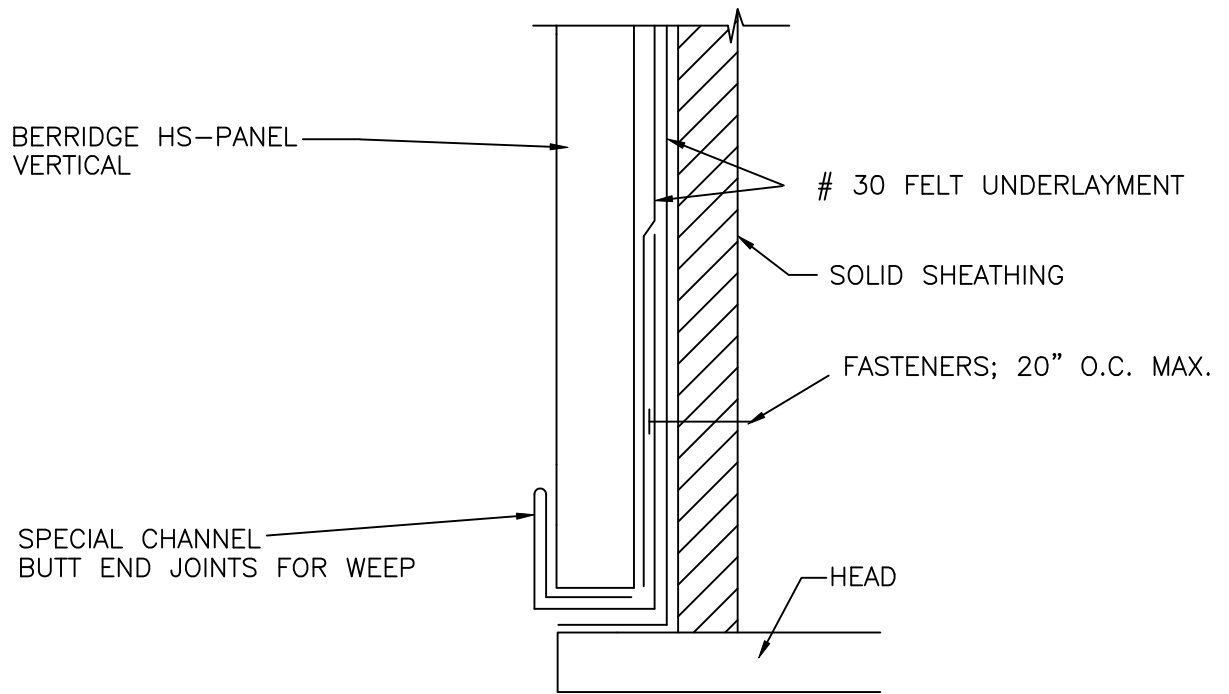
SILL DETAIL SOLID SHEATHING

PAGE\FILE
HS-55

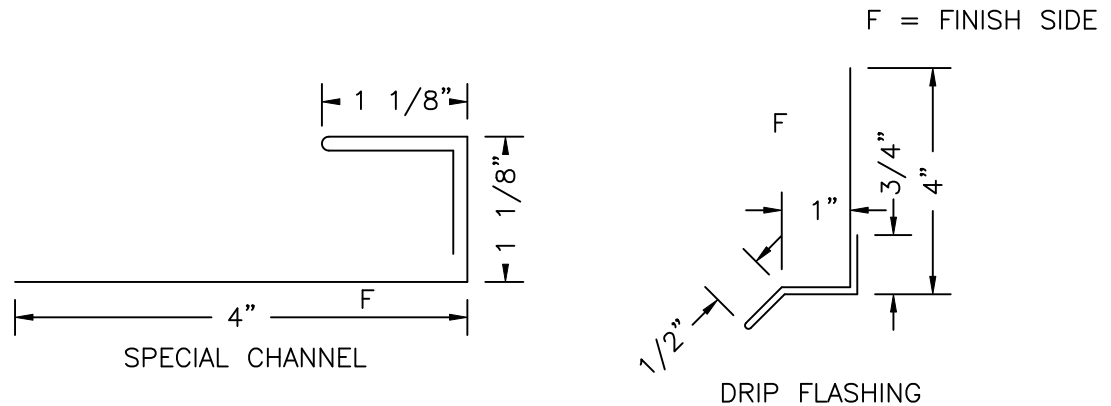
HS - PANEL



**Berridge
Manufacturing
Company**



1. SOLID SHEATHING (BY OTHERS) TO BE MINIMUM 1/2" PLYWOOD OR EQUIVALENT IN STRENGTH FOR HOLDING POWER OF FASTENERS.
2. ALL FELT UNDERLAYMENT, CAULKING, AND FASTENERS, ARE ITEMS TO BE FURNISHED AND INSTALLED BY THE ROOFING INSTALLER AT THE DISCRETION OF THE ARCHITECT.



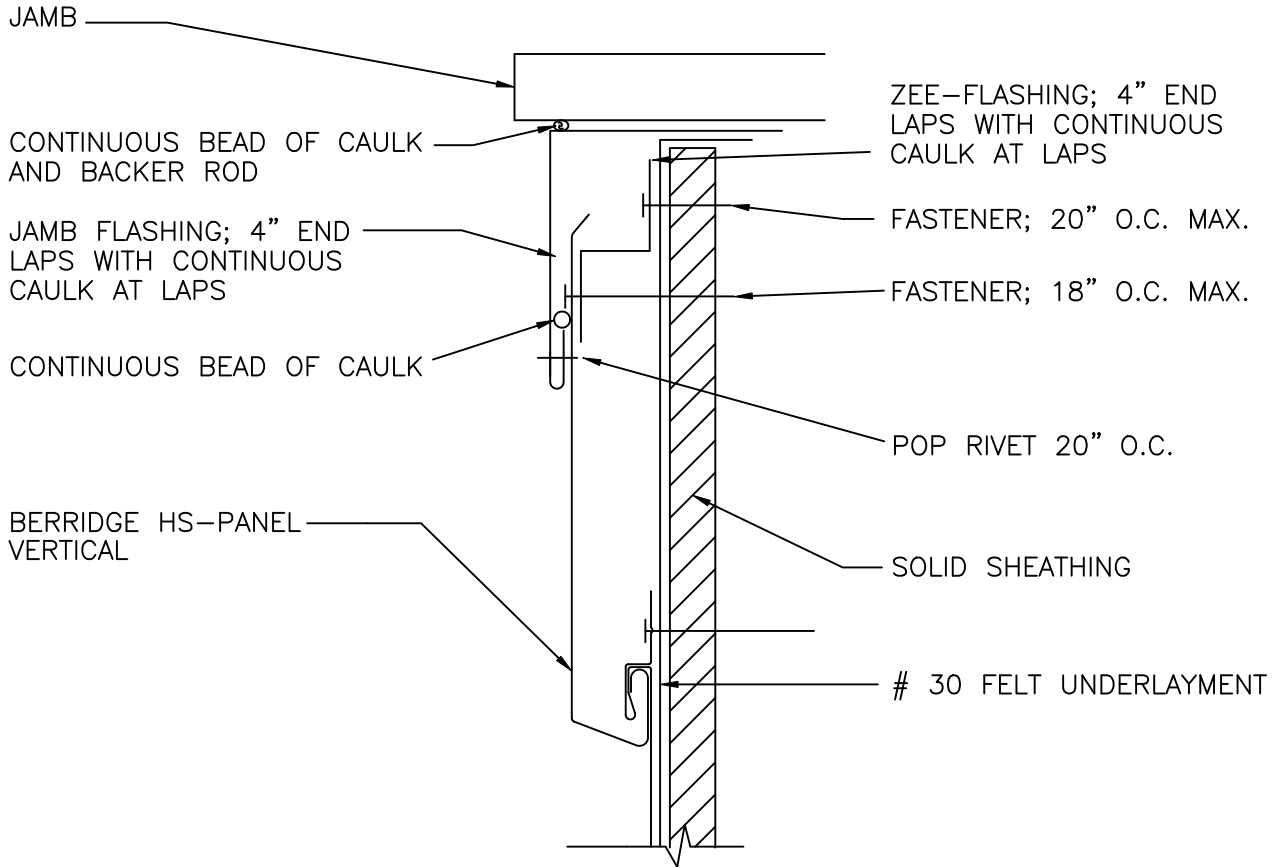
**Berridge
Manufacturing
Company**

HEADER DETAIL
SOLID SHEATHING

HS - PANEL

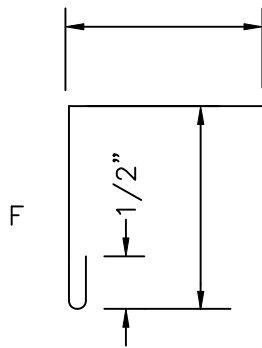
DATE: 05/25/10

PAGE\FILE
HS-56

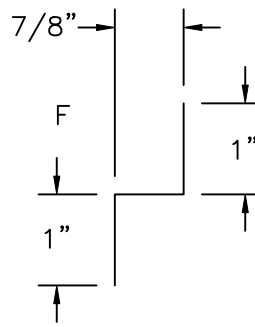


1. SOLID SHEATHING (BY OTHERS) TO BE MINIMUM 1/2" PLYWOOD OR EQUIVALENT IN STRENGTH FOR HOLDING POWER OF FASTENERS.
2. ALL FELT UNDERLAYMENT, CAULKING, AND FASTENERS, ARE ITEMS TO BE FURNISHED AND INSTALLED BY THE ROOFING INSTALLER AT THE DISCRETION OF THE ARCHITECT.

F = FINISH SIDE



JAMB FLASHING



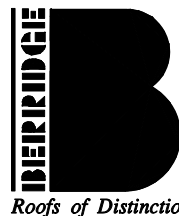
ZEE-FLASHING

DATE: 05/25/10

JAMB DETAIL
SOLID SHEATHING

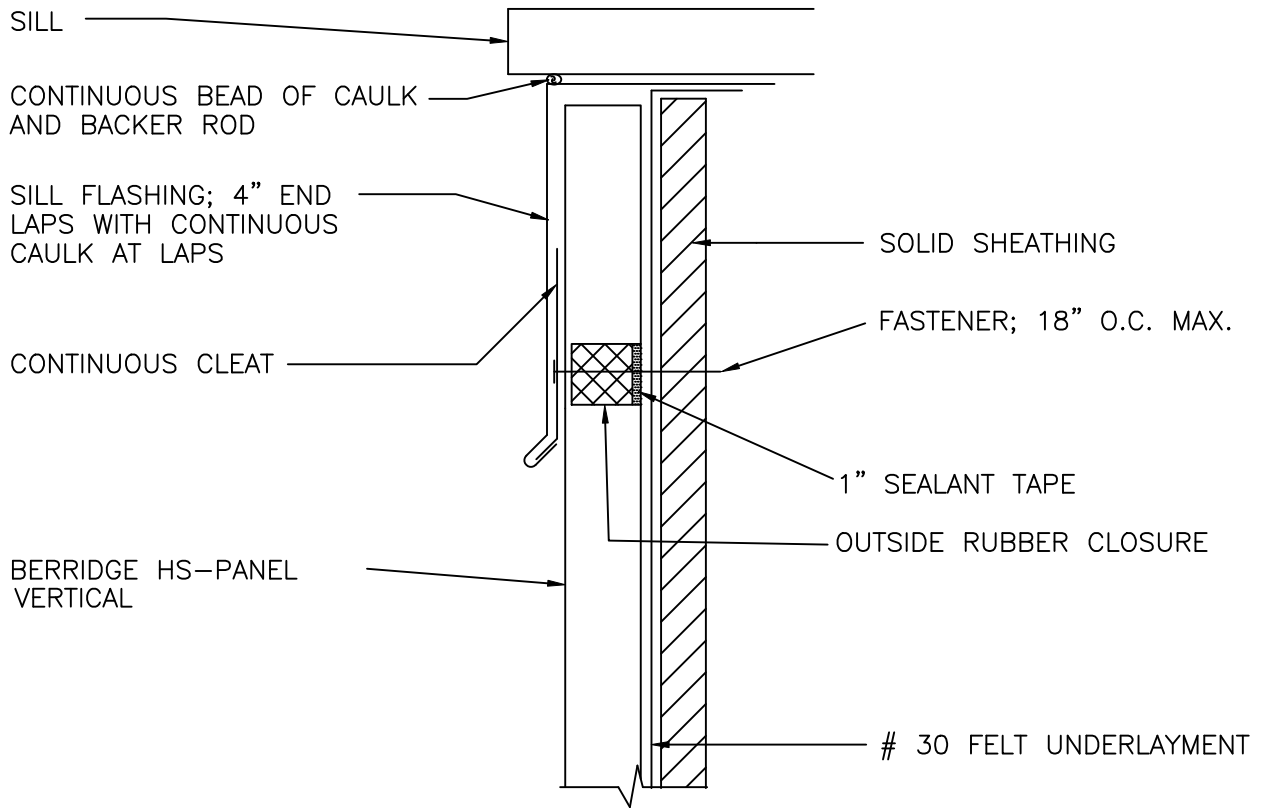
PAGE\FILE
HS-57

HS - PANEL



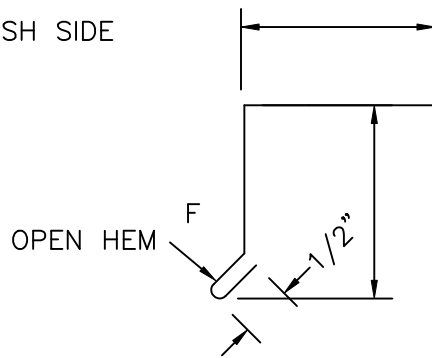
Berridge
Manufacturing
Company

Roofs of Distinction

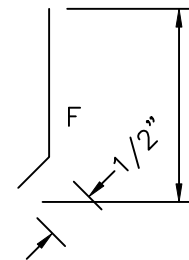


1. SOLID SHEATHING (BY OTHERS) TO BE MINIMUM 1/2" PLYWOOD OR EQUIVALENT IN STRENGTH FOR HOLDING POWER OF FASTENERS.
2. ALL FELT UNDERLAYMENT, CAULKING, AND FASTENERS, ARE ITEMS TO BE FURNISHED AND INSTALLED BY THE ROOFING INSTALLER AT THE DISCRETION OF THE ARCHITECT.

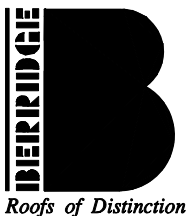
F = FINISH SIDE



SILL FLASHING



CONTINUOUS CLEAT



**Berridge
Manufacturing
Company**

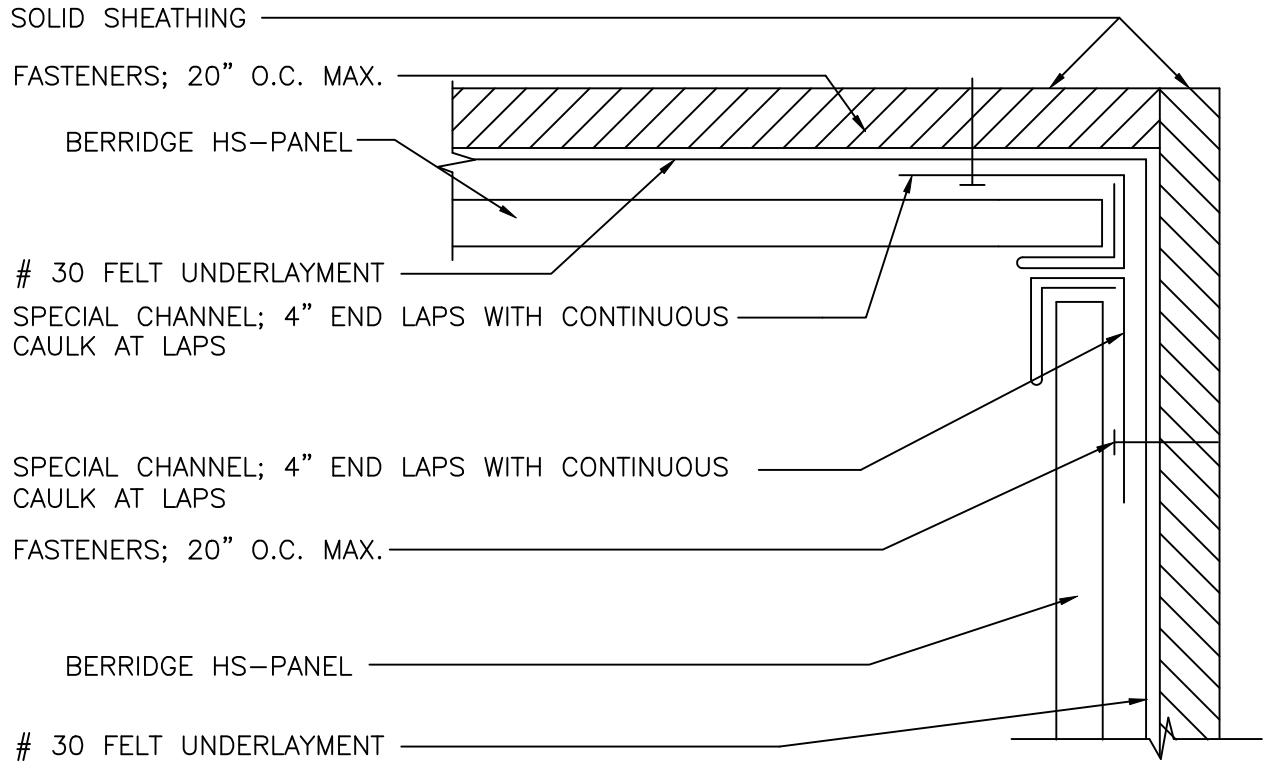
SILL DETAIL
SOLID SHEATHING

HS - PANEL

DATE: 05/25/10

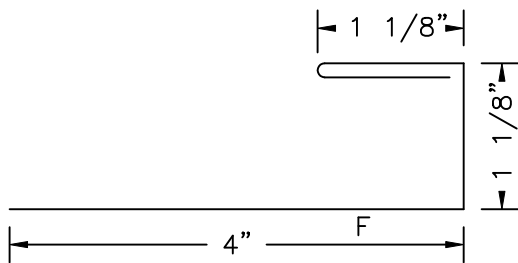
PAGE\FILE

HS-58

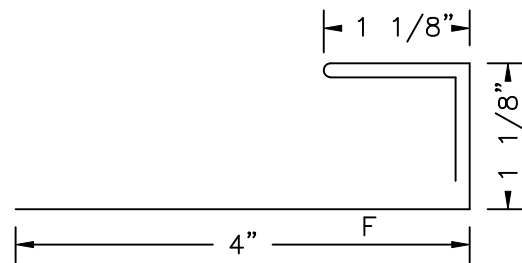


1. SOLID SHEATHING (BY OTHERS) TO BE MINIMUM 1/2" PLYWOOD OR EQUIVALENT IN STRENGTH FOR HOLDING POWER OF FASTENERS.
2. ALL FELT UNDERLAYMENT, CAULKING, AND FASTENERS, ARE ITEMS TO BE FURNISHED AND INSTALLED BY THE ROOFING INSTALLER AT THE DISCRETION OF THE ARCHITECT.

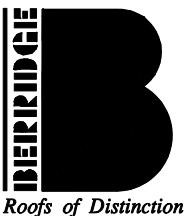
F = FINISH SIDE



STANDARD CHANNEL
USE WITH OUTSIDE
RUBBER CLOSURES



SPECIAL CHANNEL
USE WITH OUT
OUTSIDE RUBBER
CLOSURES



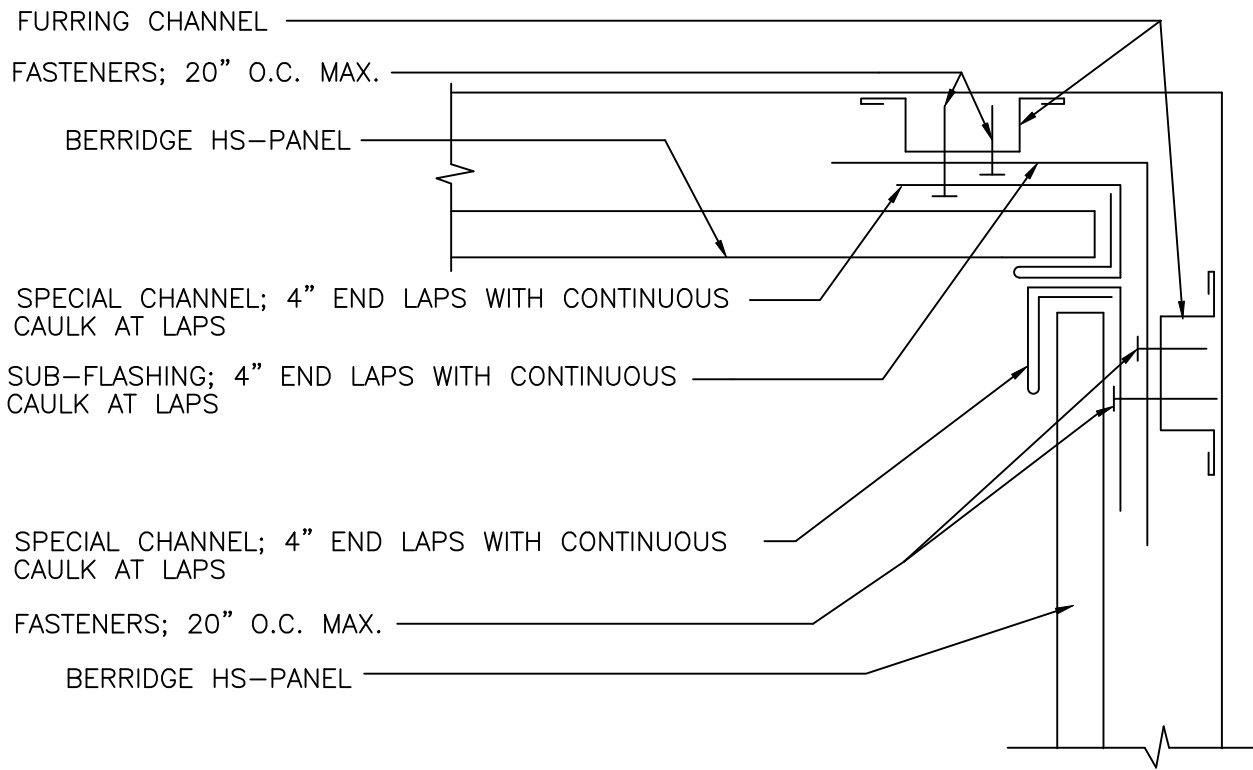
**Berridge
Manufacturing
Company**

INSIDE CORNER DETAIL
SOLID SHEATHING

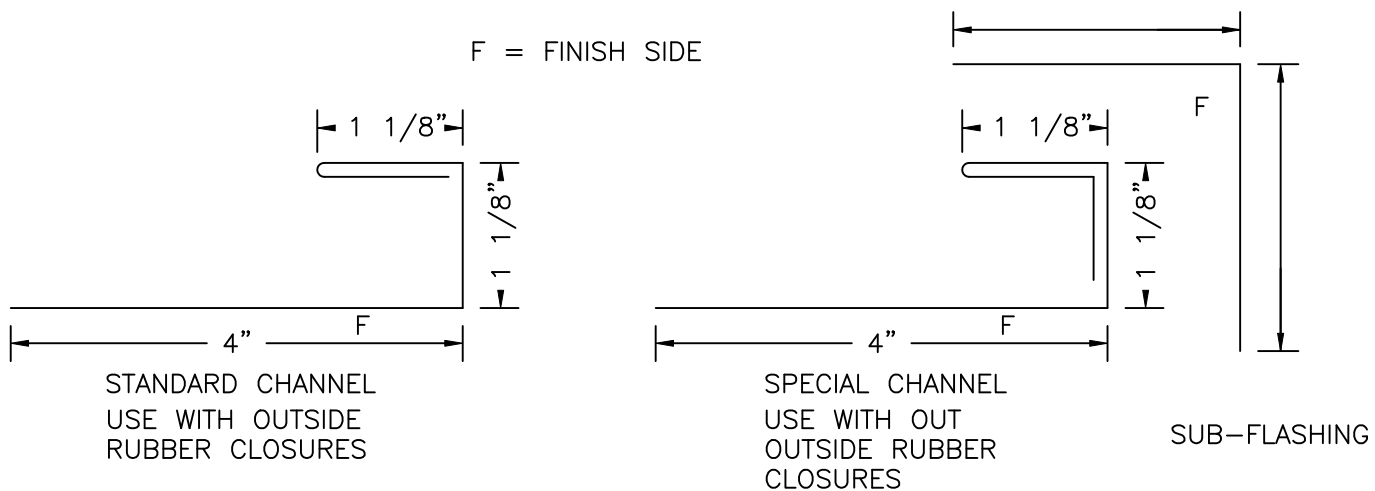
HS - PANEL

DATE: 05/25/10

HR-60



1. ALL CAULKING, AND FASTENERS, ARE ITEMS TO BE FURNISHED AND INSTALLED BY THE ROOFING INSTALLER AT THE DISCRETION OF THE ARCHITECT.
2. CONSULT BERRIDGE FOR OPEN FRAME APPLICATIONS.

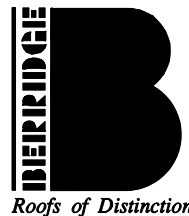


DATE: 05/25/10

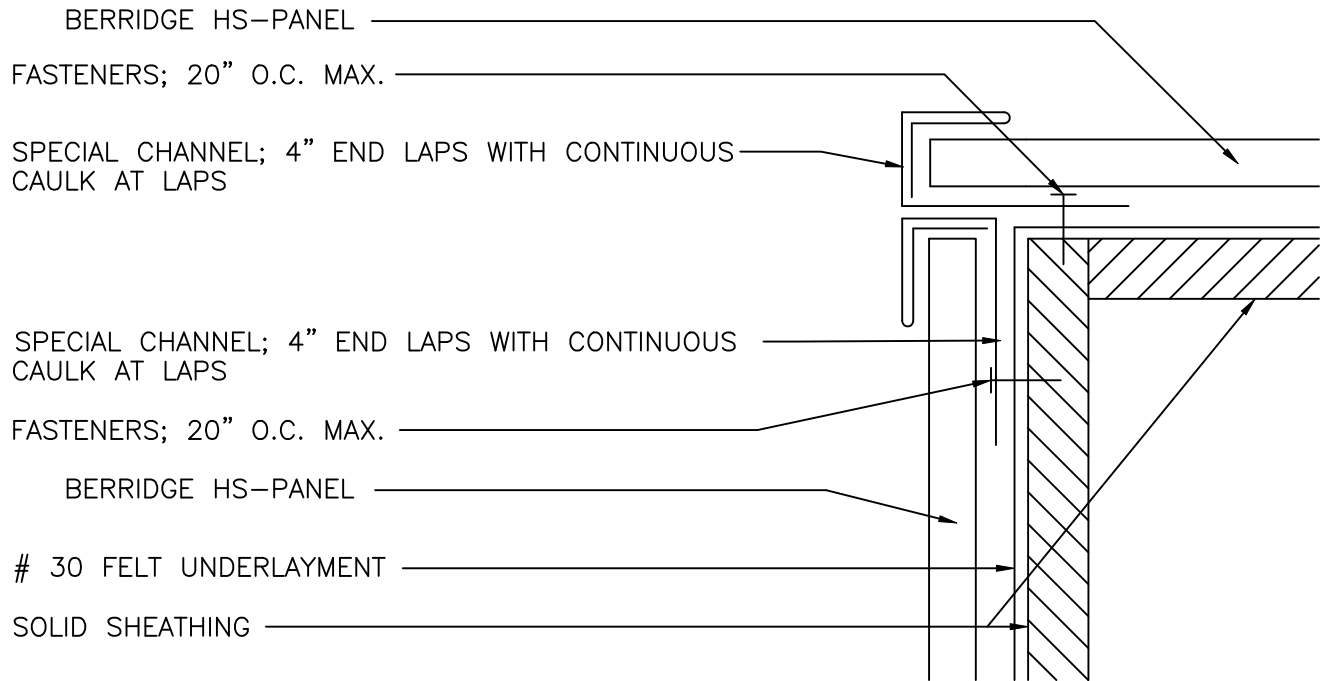
INSIDE CORNER DETAIL
OPEN FRAMING

PAGE\FILE
HS-61

HS - PANEL

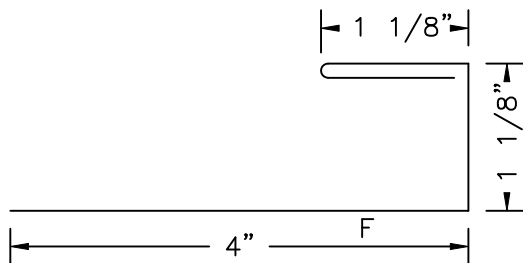


**Berridge
Manufacturing
Company**

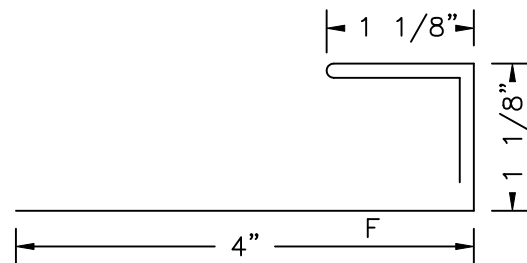


1. SOLID SHEATHING (BY OTHERS) TO BE MINIMUM 1/2" PLYWOOD OR EQUIVALENT IN STRENGTH FOR HOLDING POWER OF FASTENERS.
2. ALL FELT UNDERLAYMENT, CAULKING, AND FASTENERS, ARE ITEMS TO BE FURNISHED AND INSTALLED BY THE ROOFING INSTALLER AT THE DISCRETION OF THE ARCHITECT.

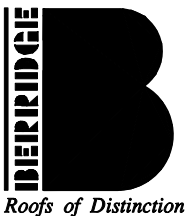
F = FINISH SIDE



STANDARD CHANNEL
USE WITH OUTSIDE
RUBBER CLOSURES



SPECIAL CHANNEL
USE WITH OUT
OUTSIDE RUBBER
CLOSURES



**Berridge
Manufacturing
Company**

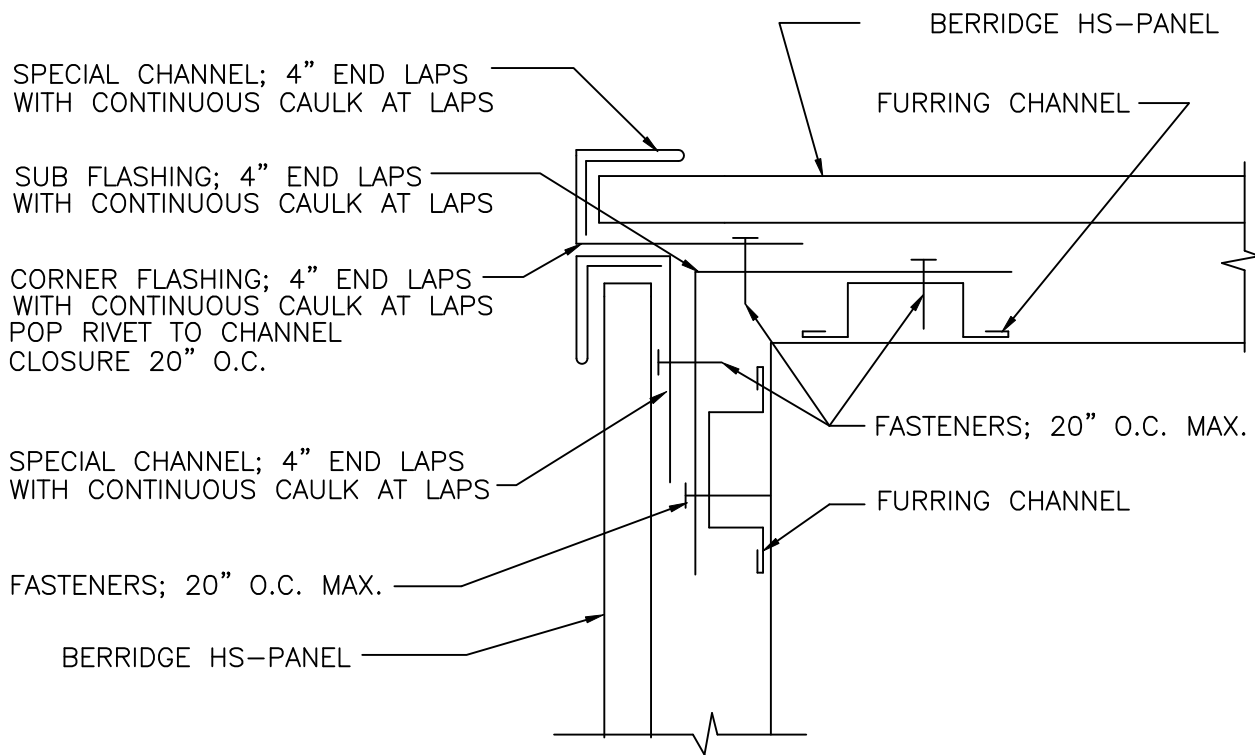
OUTSIDE CORNER DETAIL
SOLID SHEATHING

HS - PANEL

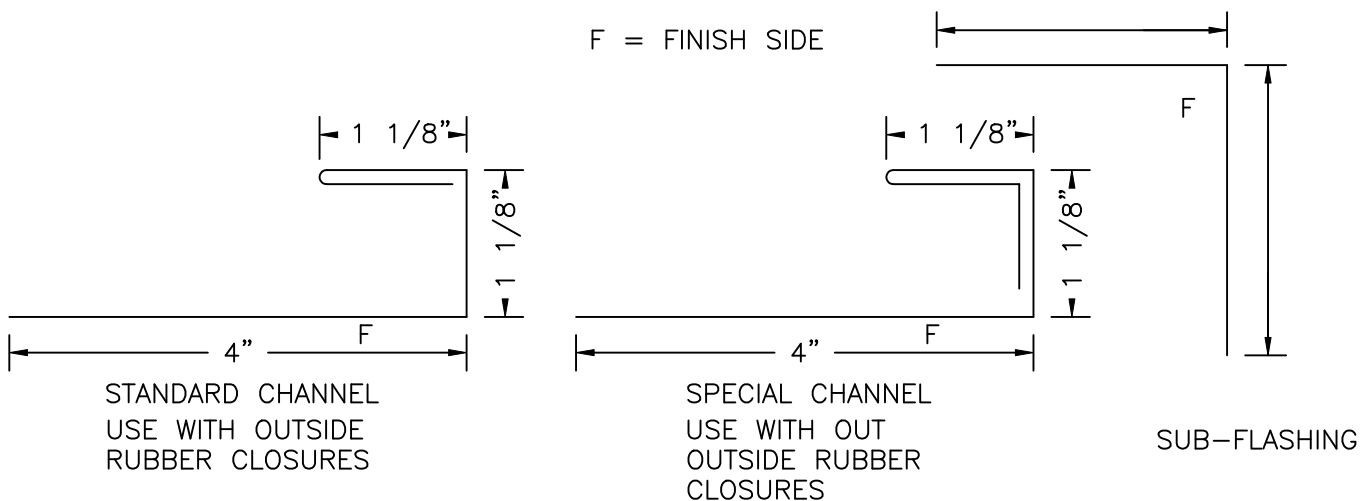
DATE: 05/25/10

PAGE\FILE

HS-62



1. ALL CAULKING, AND FASTENERS, ARE ITEMS TO BE FURNISHED AND INSTALLED BY THE ROOFING INSTALLER AT THE DISCRETION OF THE ARCHITECT.
2. CONSULT BERRIDGE FOR OPEN FRAME APPLICATIONS.

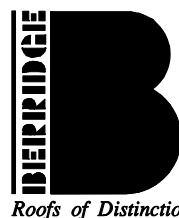


DATE: 05/25/10

OUTSIDE CORNER DETAIL
OPEN FRAMING

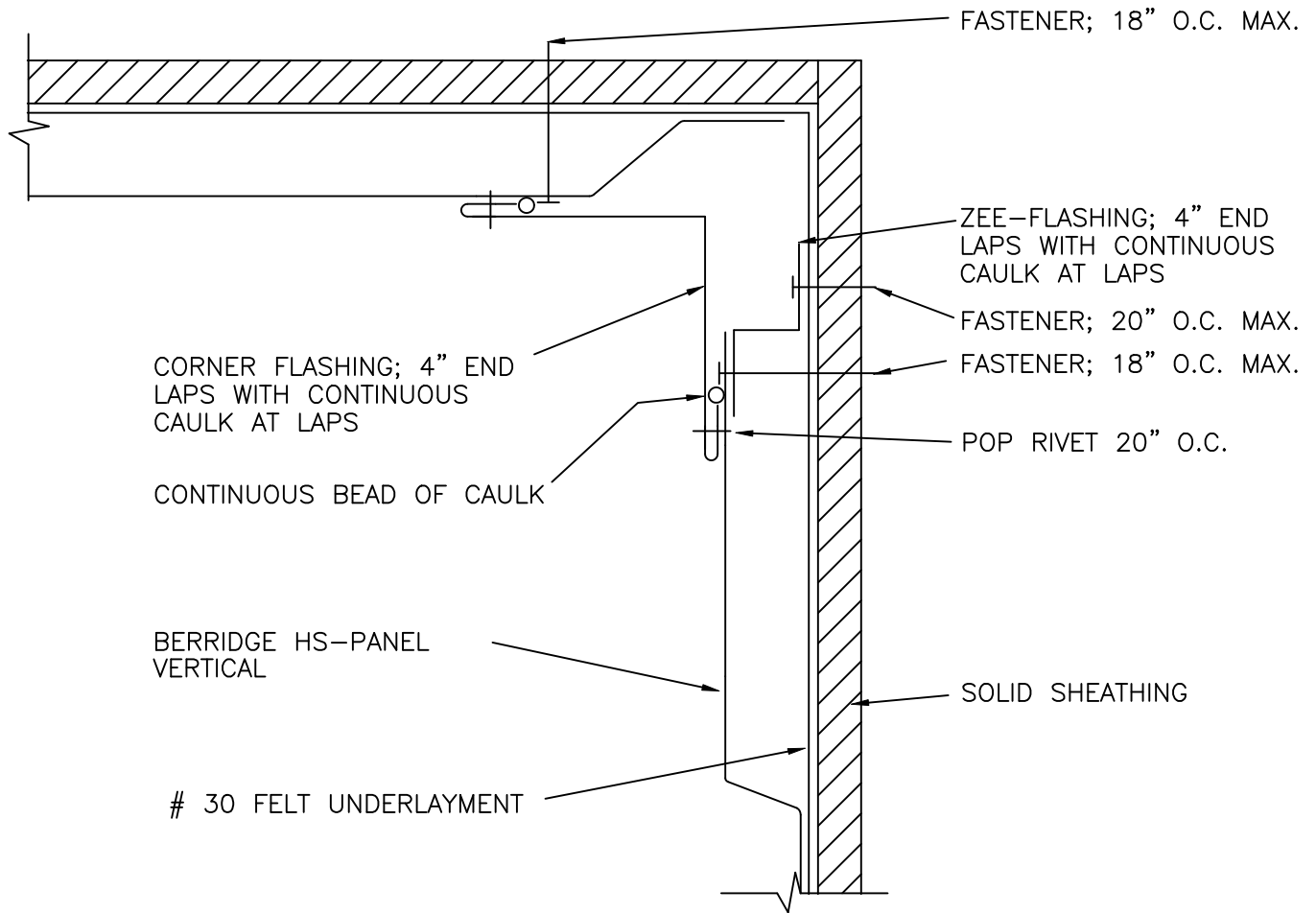
PAGE\FILE
HS-63

HS - PANEL



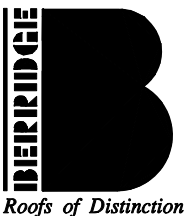
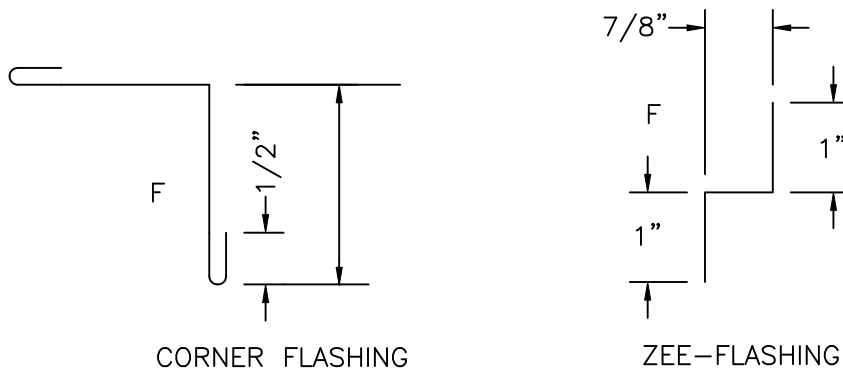
**Berridge
Manufacturing
Company**

Roofs of Distinction



1. SOLID SHEATHING (BY OTHERS) TO BE MINIMUM 1/2" PLYWOOD OR EQUIVALENT IN STRENGTH FOR HOLDING POWER OF FASTENERS.
2. ALL FELT UNDERLAYMENT, CAULKING, AND FASTENERS, ARE ITEMS TO BE FURNISHED AND INSTALLED BY THE ROOFING INSTALLER AT THE DISCRETION OF THE ARCHITECT.

F = FINISH SIDE



**Berridge
Manufacturing
Company**

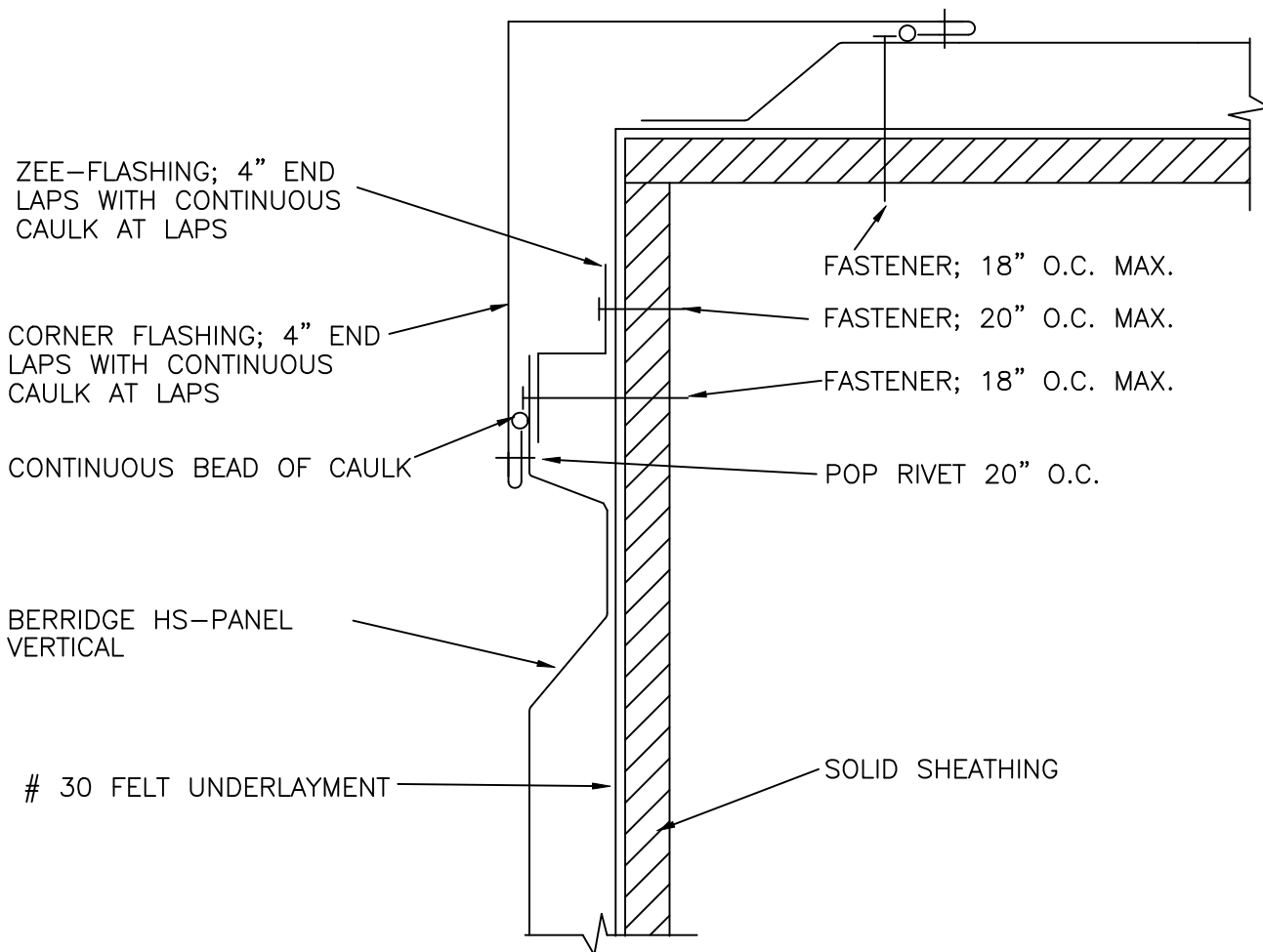
INSIDE CORNER DETAIL
SOLID SHEATHING

HS - PANEL

DATE: 05/25/10

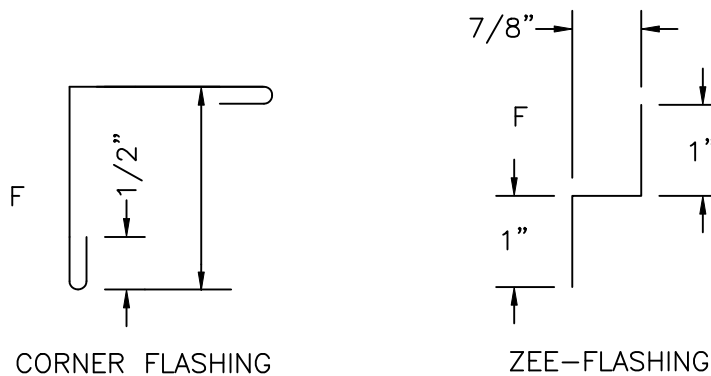
PAGE\FILE

HS-64



1. SOLID SHEATHING (BY OTHERS) TO BE MINIMUM 1/2" PLYWOOD OR EQUIVALENT IN STRENGTH FOR HOLDING POWER OF FASTENERS.
2. ALL FELT UNDERLAYMENT, CAULKING, AND FASTENERS, ARE ITEMS TO BE FURNISHED AND INSTALLED BY THE ROOFING INSTALLER AT THE DISCRETION OF THE ARCHITECT.

F = FINISH SIDE

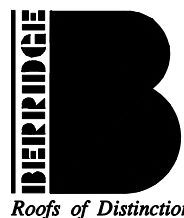


DATE: 05/25/10

OUTSIDE CORNER DETAIL SOLID SHEATHING

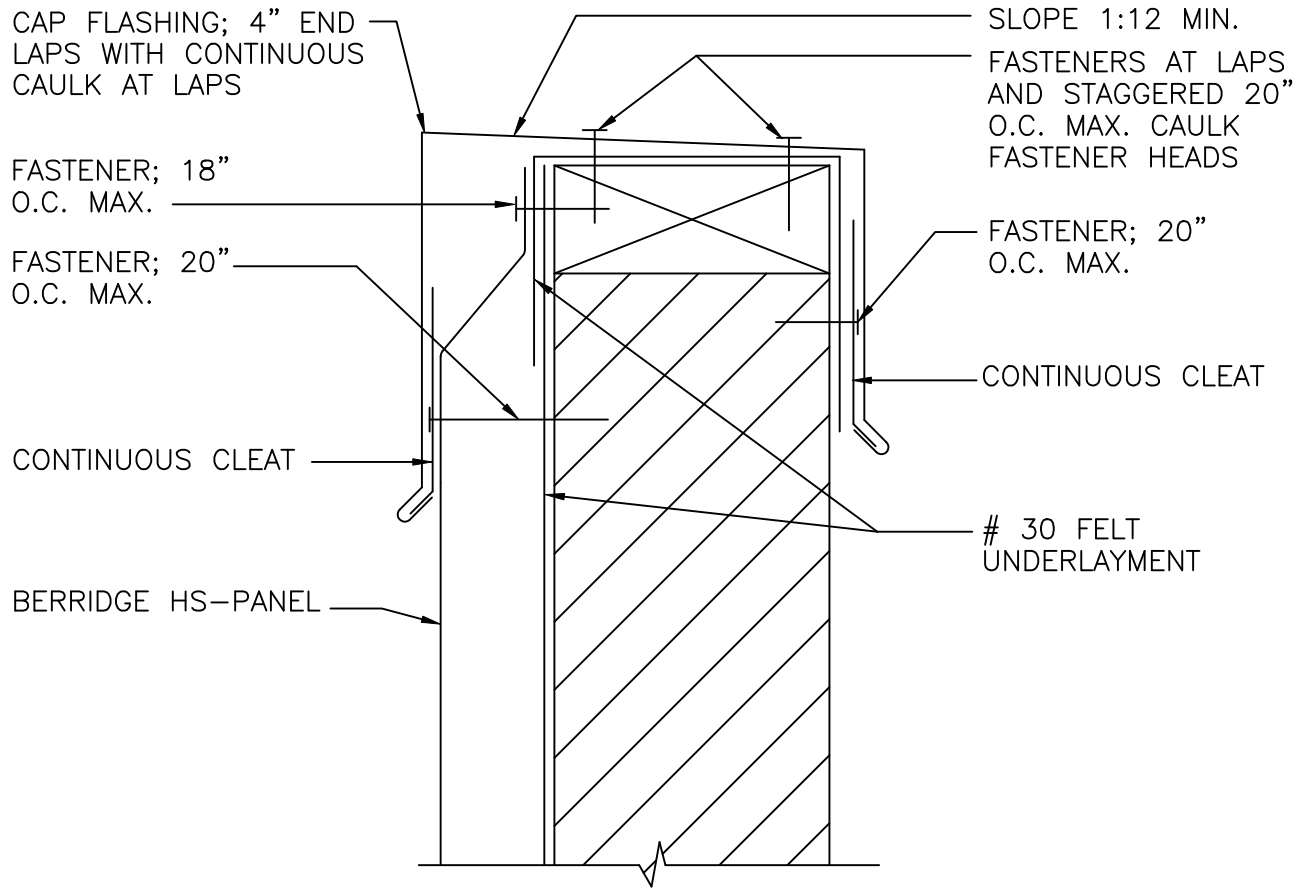
PAGE\FILE
HS-65

HS - PANEL

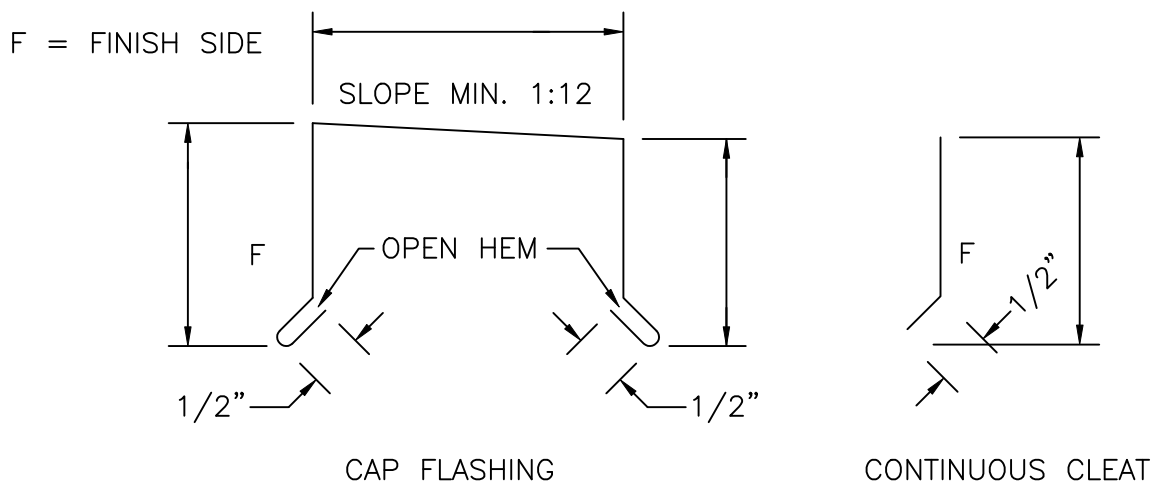


**Berridge
Manufacturing
Company**

Roofs of Distinction



1. SOLID SHEATHING (BY OTHERS) TO BE MINIMUM 1/2" PLYWOOD OR EQUIVALENT IN STRENGTH FOR HOLDING POWER OF FASTENERS.
2. ALL FELT UNDERLAYMENT, CAULKING, AND FASTENERS, ARE ITEMS TO BE FURNISHED AND INSTALLED BY THE ROOFING INSTALLER AT THE DISCRETION OF THE ARCHITECT.



**Berridge
Manufacturing
Company**

Roofs of Distinction

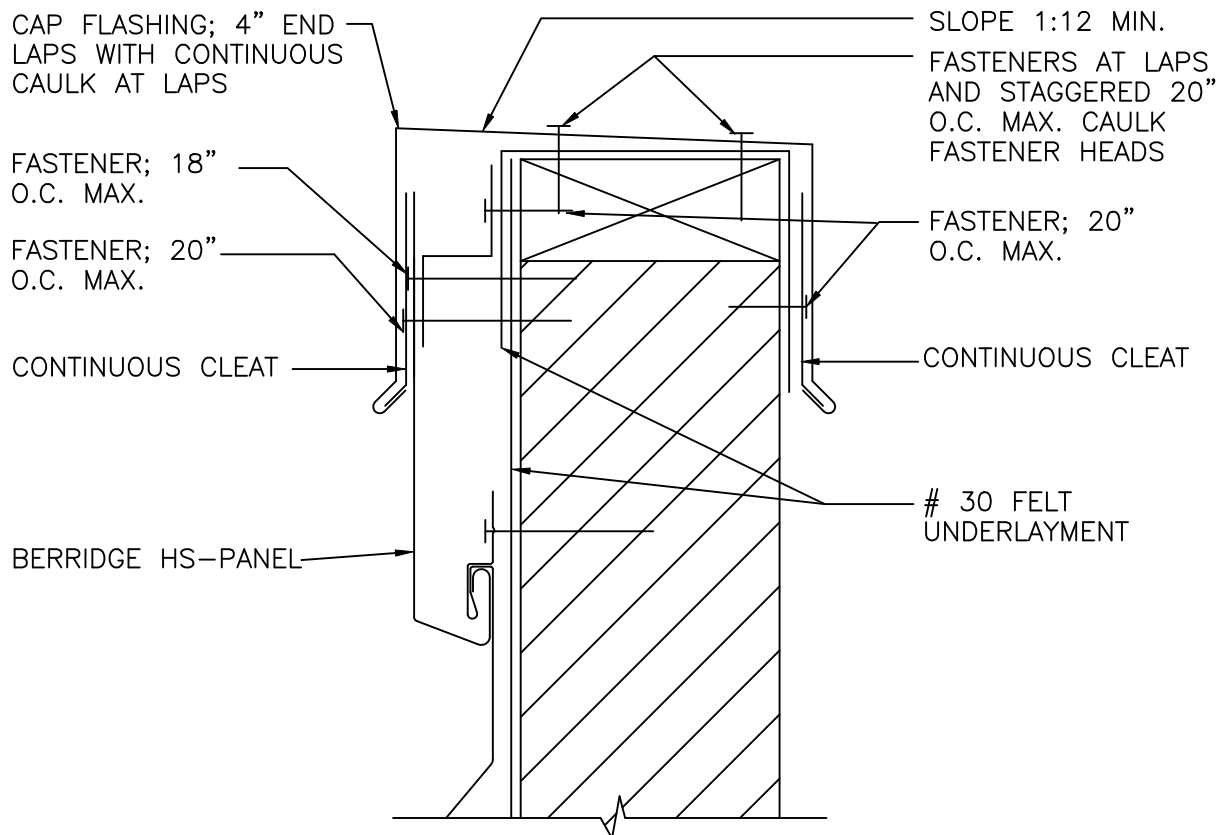
PARAPET DETAIL
SOLID SHEATHING

HS - PANEL

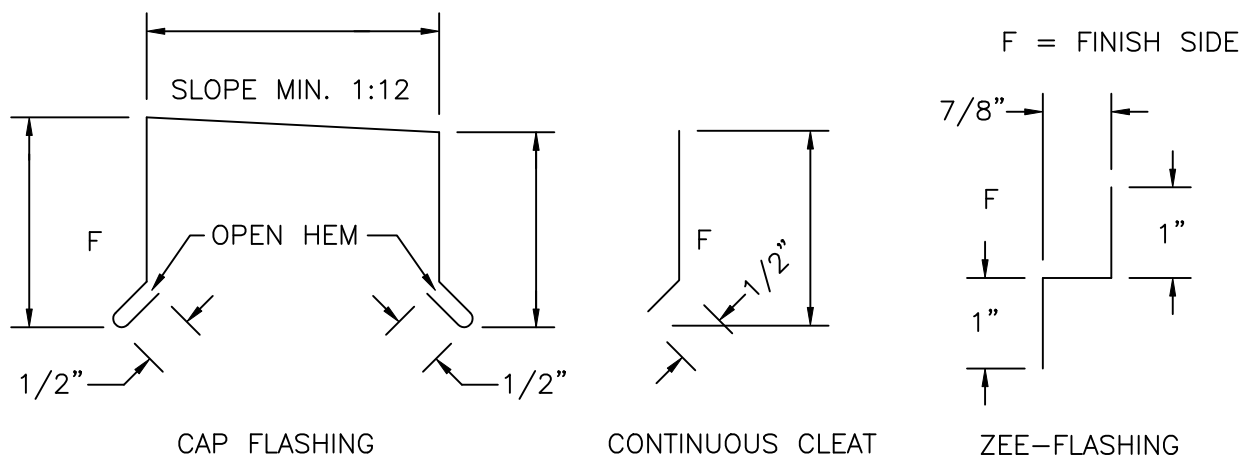
DATE: 05/25/10

PAGE\FILE

HS-70



1. SOLID SHEATHING (BY OTHERS) TO BE MINIMUM 1/2" PLYWOOD OR EQUIVALENT IN STRENGTH FOR HOLDING POWER OF FASTENERS.
2. ALL FELT UNDERLAYMENT, CAULKING, AND FASTENERS, ARE ITEMS TO BE FURNISHED AND INSTALLED BY THE ROOFING INSTALLER AT THE DISCRETION OF THE ARCHITECT.



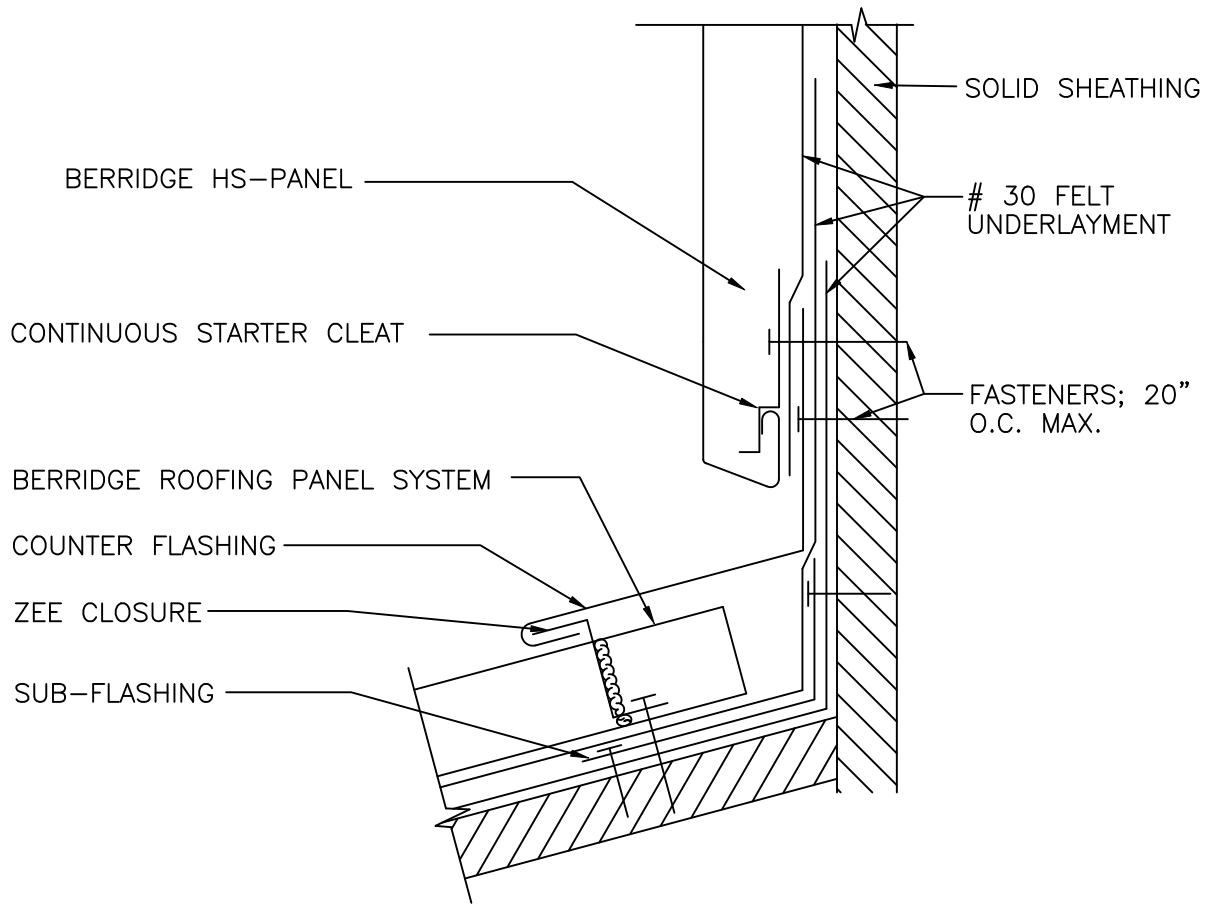
DATE: 05/25/10

PARAPET DETAIL
SOLID SHEATHING

PAGE\FILE
HS-71

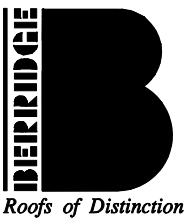
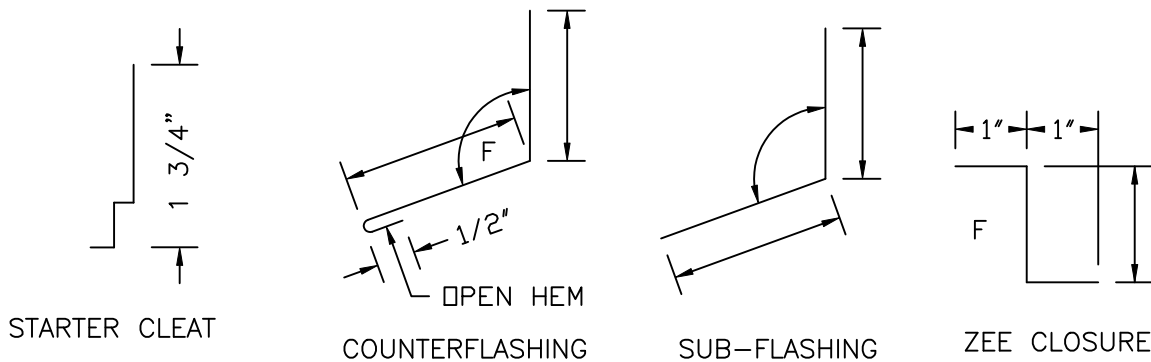
HS - PANEL





1. SOLID SHEATHING (BY OTHERS) TO BE MINIMUM 1/2" PLYWOOD OR EQUIVALENT IN STRENGTH FOR HOLDING POWER OF FASTENERS.
2. ALL FELT UNDERLAYMENT, CAULKING, AND FASTENERS, ARE ITEMS TO BE FURNISHED AND INSTALLED BY THE ROOFING INSTALLER AT THE DISCRETION OF THE ARCHITECT.

F = FINISH SIDE



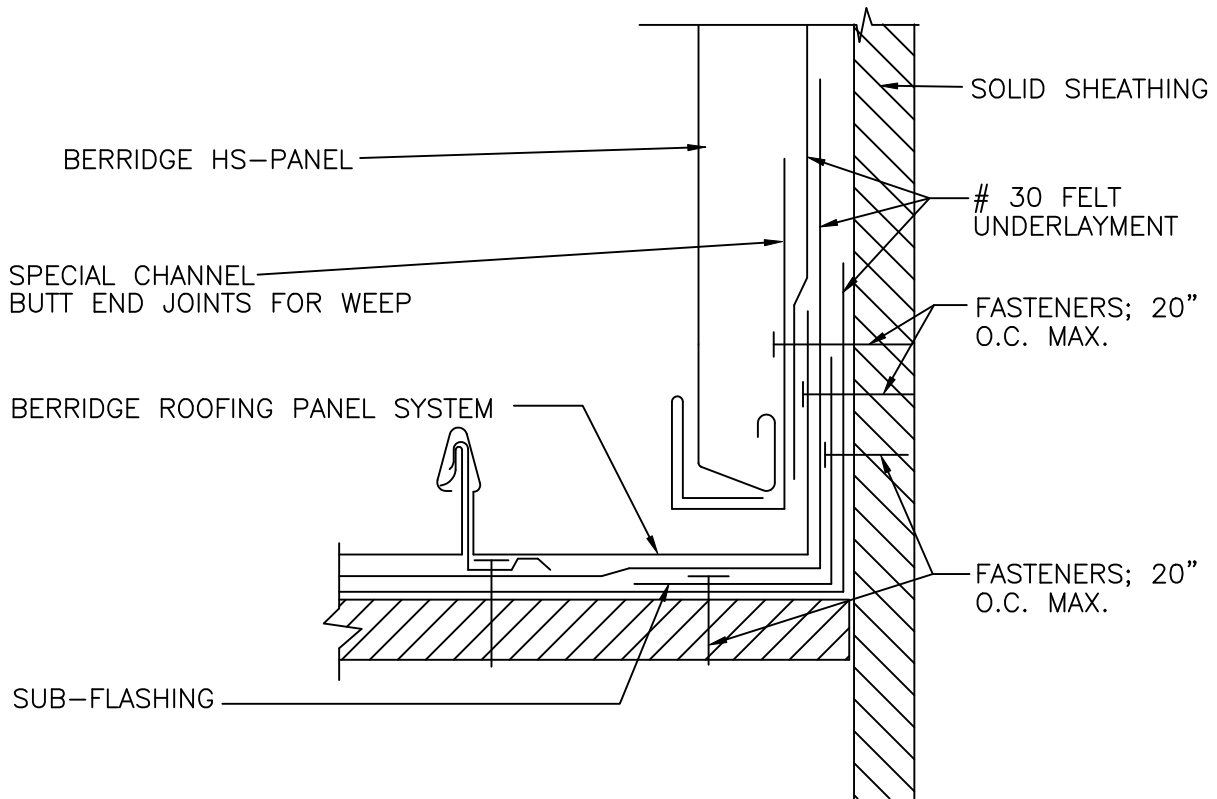
**Berridge
Manufacturing
Company**

HEAD WALL DETAIL
SOLID SHEATHING

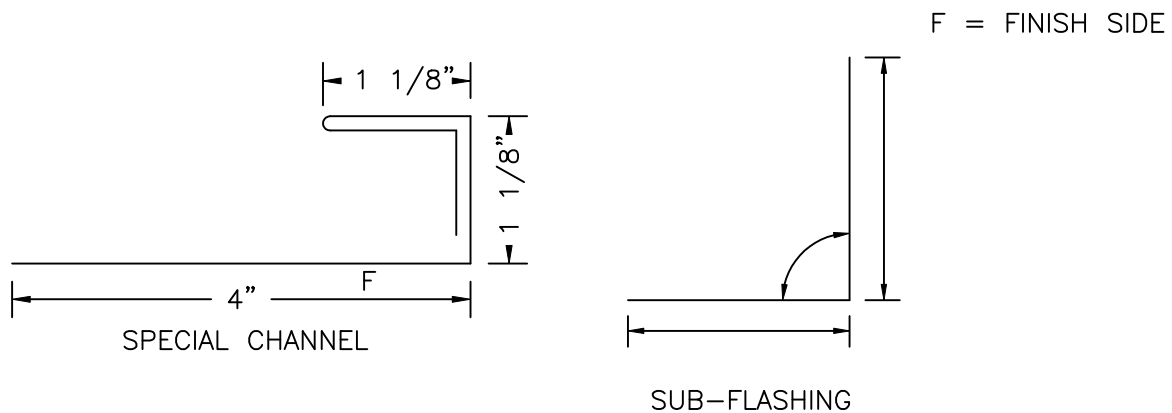
HS - PANEL

DATE: 05/25/10

PAGE\FILE
HS-72



1. SOLID SHEATHING (BY OTHERS) TO BE MINIMUM 1/2" PLYWOOD OR EQUIVALENT IN STRENGTH FOR HOLDING POWER OF FASTENERS.
2. ALL FELT UNDERLAYMENT, CAULKING, AND FASTENERS, ARE ITEMS TO BE FURNISHED AND INSTALLED BY THE ROOFING INSTALLER AT THE DISCRETION OF THE ARCHITECT.



DATE: 05/25/10

RAKE WALL DETAIL
SOLID SHEATHING

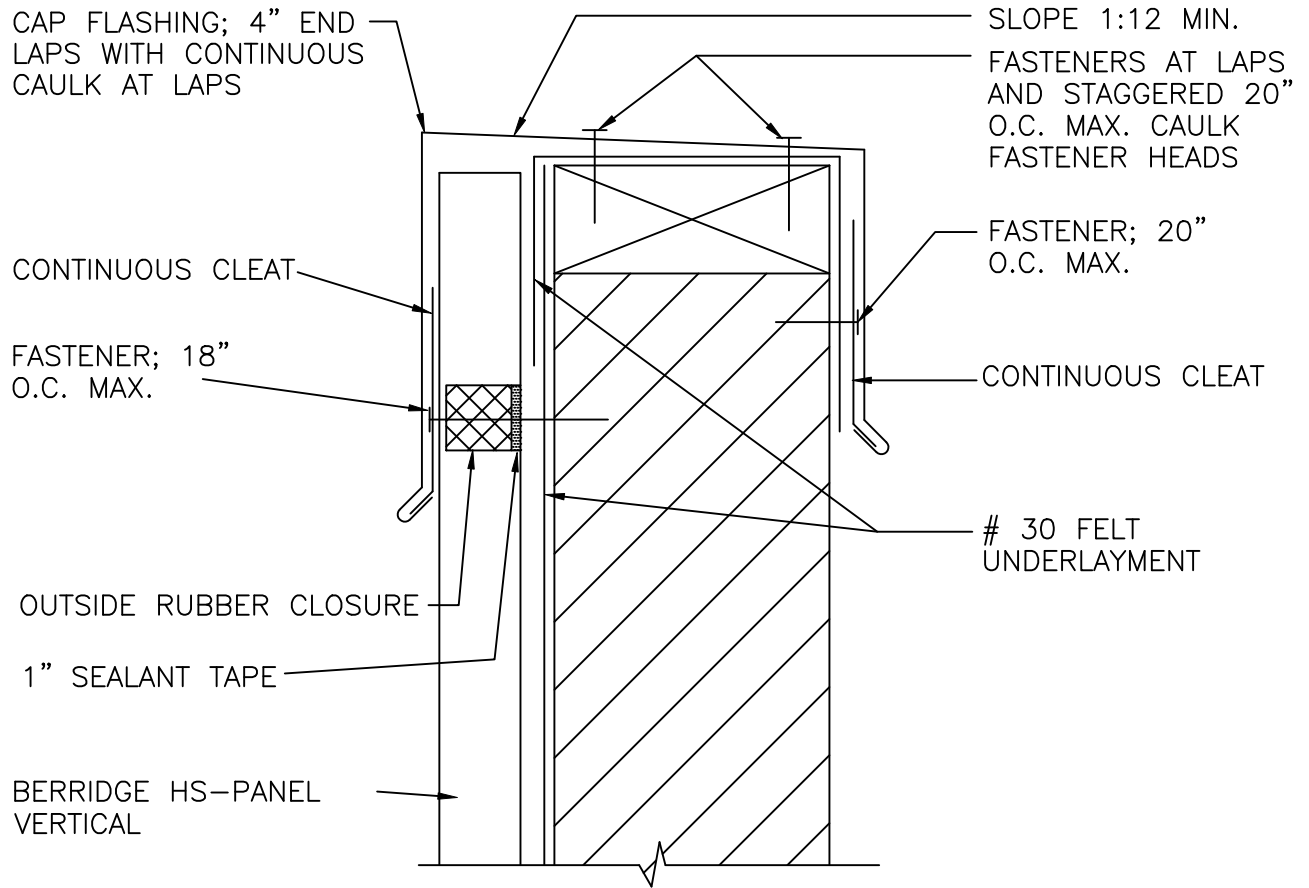
PAGE\FILE
HS-73

HS - PANEL

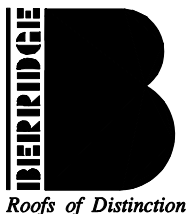
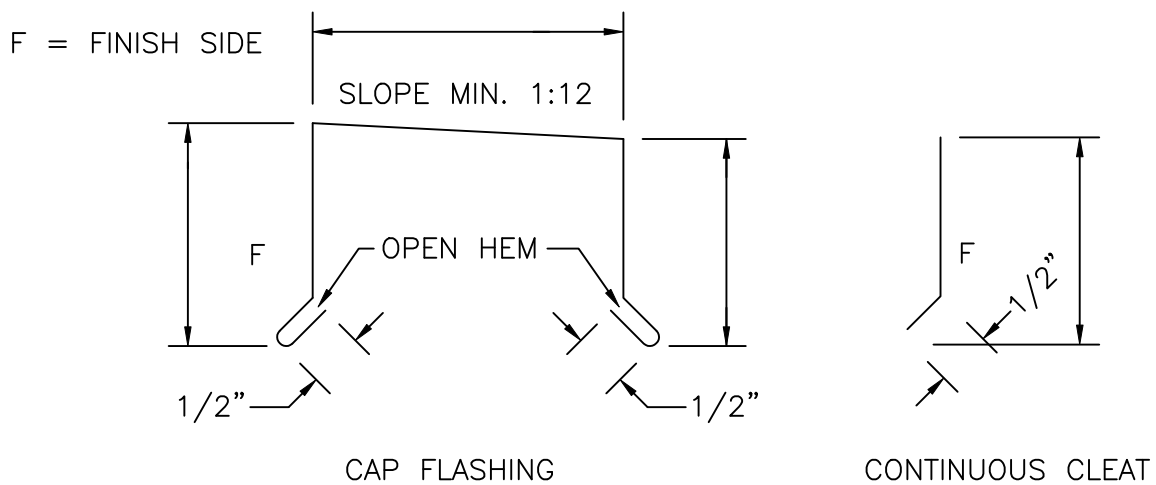


**Berridge
Manufacturing
Company**

Roofs of Distinction



1. SOLID SHEATHING (BY OTHERS) TO BE MINIMUM 1/2" PLYWOOD OR EQUIVALENT IN STRENGTH FOR HOLDING POWER OF FASTENERS.
2. ALL FELT UNDERLAYMENT, CAULKING, AND FASTENERS, ARE ITEMS TO BE FURNISHED AND INSTALLED BY THE ROOFING INSTALLER AT THE DISCRETION OF THE ARCHITECT.



**Berridge
Manufacturing
Company**

Roofs of Distinction

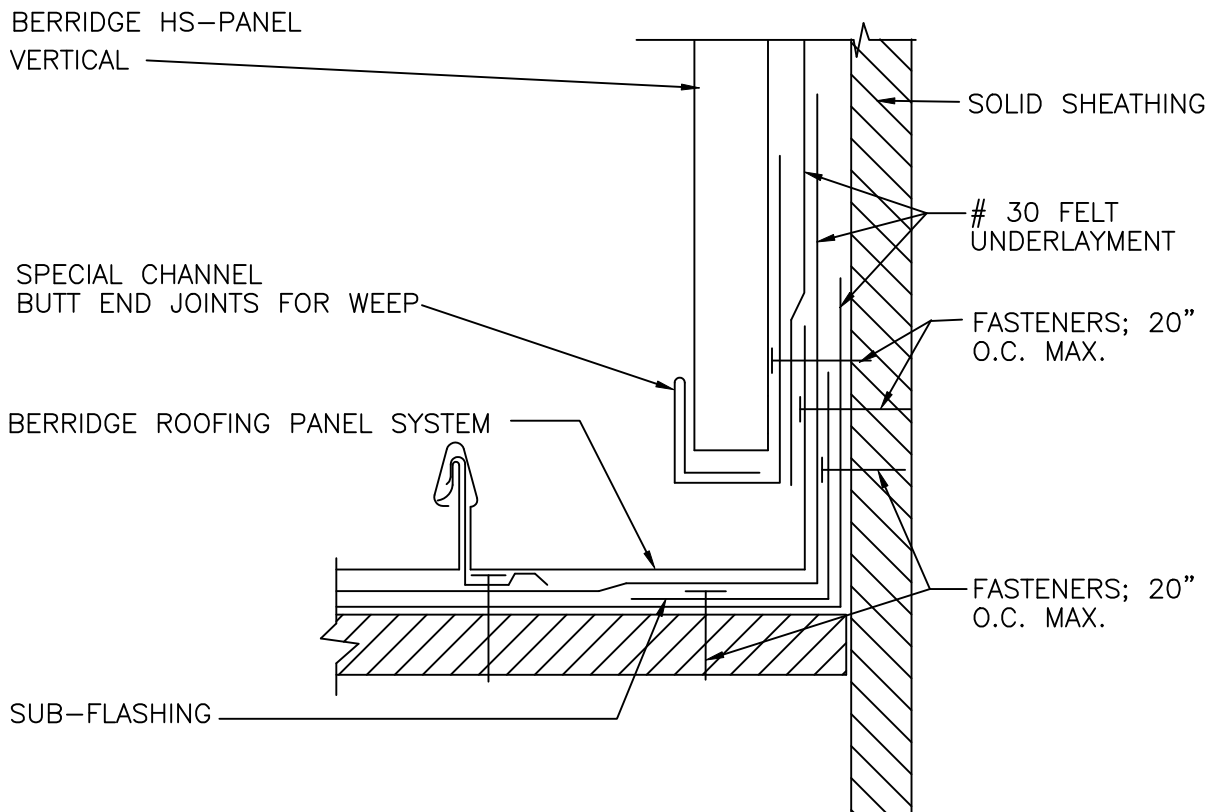
PARAPET DETAIL
SOLID SHEATHING

HS - PANEL

DATE: 05/25/10

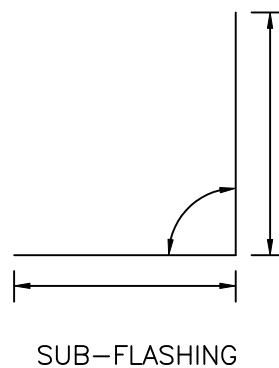
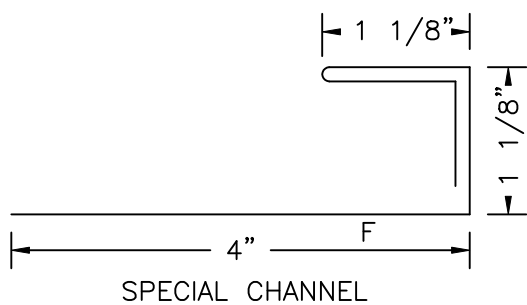
PAGE\FILE

HS-74



1. SOLID SHEATHING (BY OTHERS) TO BE MINIMUM 1/2" PLYWOOD OR EQUIVALENT IN STRENGTH FOR HOLDING POWER OF FASTENERS.
2. ALL FELT UNDERLAYMENT, CAULKING, AND FASTENERS, ARE ITEMS TO BE FURNISHED AND INSTALLED BY THE ROOFING INSTALLER AT THE DISCRETION OF THE ARCHITECT.

F = FINISH SIDE

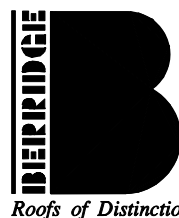


DATE: 05/25/10

RAKE WALL DETAIL
SOLID SHEATHING

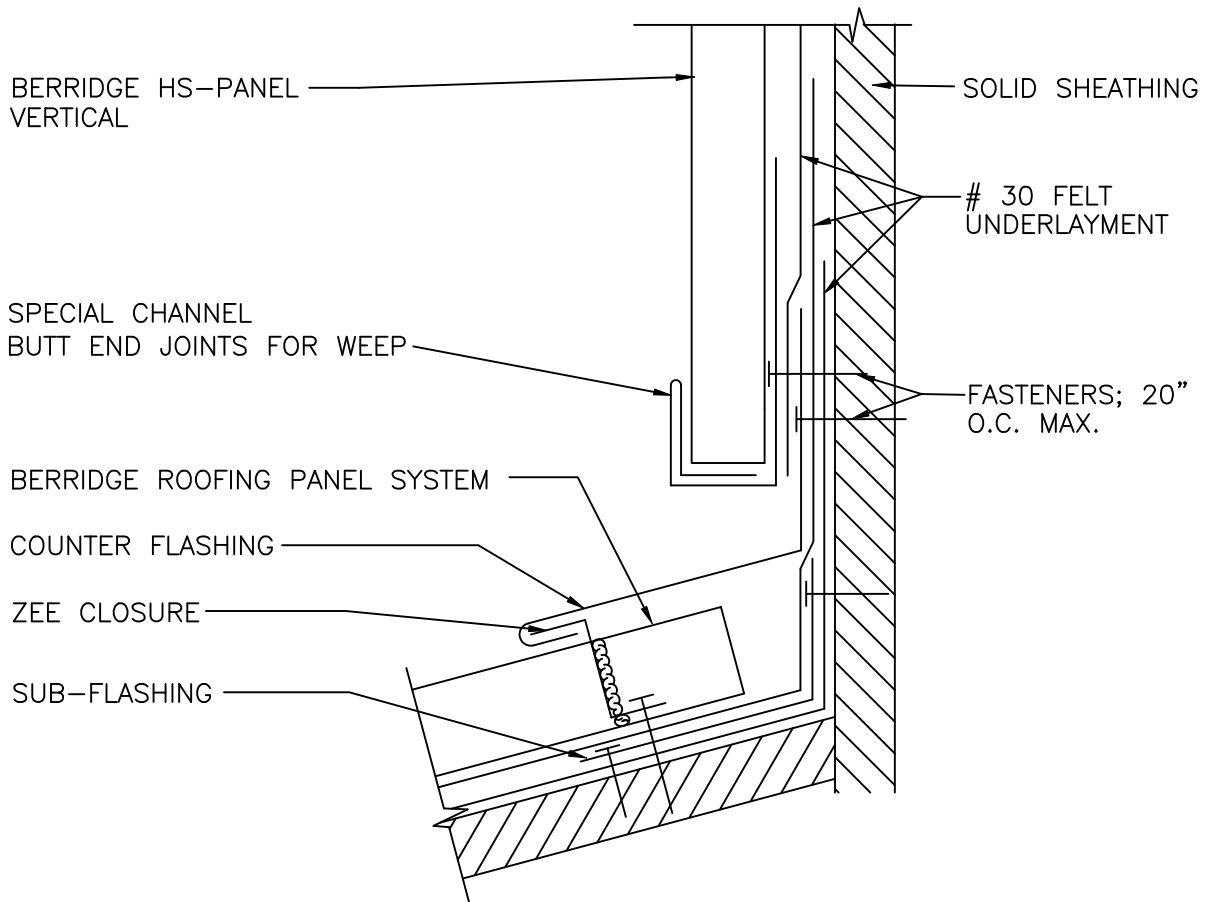
PAGE\FILE
HS-75

HS - PANEL

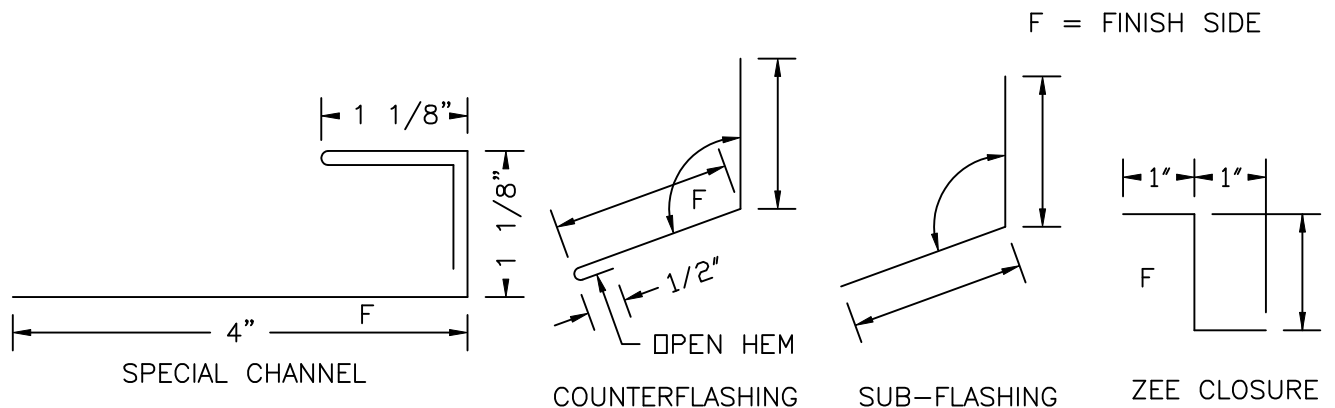


Berridge
Manufacturing
Company

Roofs of Distinction



1. SOLID SHEATHING (BY OTHERS) TO BE MINIMUM 1/2" PLYWOOD OR EQUIVALENT IN STRENGTH FOR HOLDING POWER OF FASTENERS.
2. ALL FELT UNDERLAYMENT, CAULKING, AND FASTENERS, ARE ITEMS TO BE FURNISHED AND INSTALLED BY THE ROOFING INSTALLER AT THE DISCRETION OF THE ARCHITECT.



**Berridge
Manufacturing
Company**

HEAD WALL DETAIL
SOLID SHEATHING

HS - PANEL

DATE: 05/25/10

PAGE\FILE

HS-76