



## DOOR HINGES

The RITE Door comes with full length Markar Continuous Pin and Barrel Hinges installed. Choose from a range of types that best fit frame and opening conditions. It can also be prepped for other hinges or pocket pivots.

### **Aluminum Concealed Pin:**

Edge Mount

### **Primed Steel Pinned:**

Edge Mount

Raised Barrel

Half Surface

Full Surface

### **Stainless Steel Pinned:**

Edge Mount

Raised Barrel

Half Surface

Full Surface Swing Clear

### **Hinge Options:**

Adjusta-Screw Hinge

Butt Hinge Prep Only

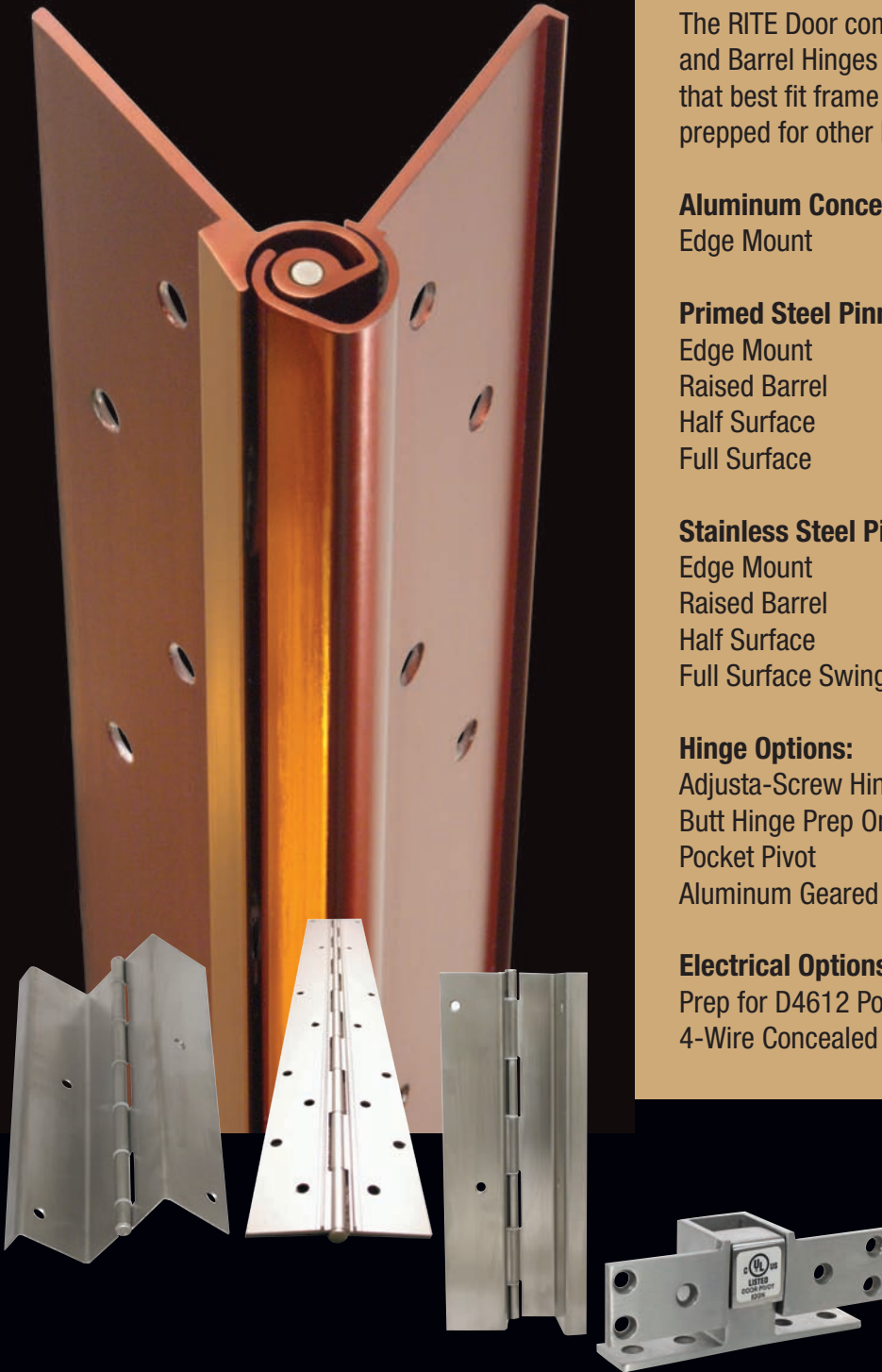
Pocket Pivot

Aluminum Geared Hinges

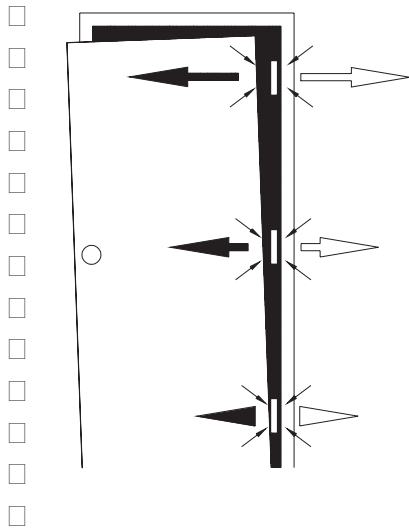
### **Electrical Options:**

Prep for D4612 Power Transfer

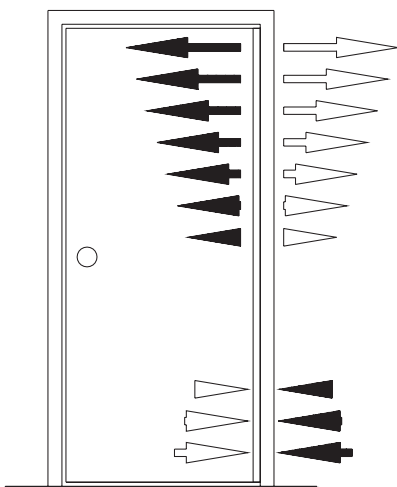
4-Wire Concealed for Full Mortise or Half Surface



# DOOR HINGES



Most door and frame stress is put on the top of conventional Hinge systems.



A Continuous Hinge spreads the stress along the full length of the door and frame.

## Why Continuous?

Most commonly, hinge failure begins when doors are opened past stop device limits. The resulting kickback shock to the hinges can surpass 1000 lbs. of force. Subsequent racking eventually loosens screws, distorts hinge leaves, pulls open knuckles, damages bearings or creates other serious damage to your standard butt hinge as well as the door frame your assembly hangs within.

While Markar's Continuous Hinges provide the answer by distributing shock forces evenly so wear and tear to the frame and door is reduced significantly, you would have to agree that the continuous hinge contributes benefits far beyond durability. Security is enhanced, preventing insertion of devices between the door and frame making it the perfect product in reducing vandalism. The continuous design also allows for easy alignment of electrical transfers and monitoring switches giving the installer a no-hassle guarantee when installing these products. While the continuous hinge plays the main roll in distributing shock, creating a secure opening, and giving the installer the ease of prepping hardware, it also aids in stopping air infiltration by creating a complete seal from top to bottom of the door at the hinge stile.

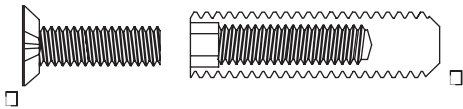


# DOOR HINGES

## Special Features

### The Unique Adjusta-Screw Fastener

A proprietary Markar fastener available on the Hinge Guard Models permits up to 3/8" width adjustment. Full door length adjustment means doors can be squared accurately and easily in new installations and existing frames can be used in retrofits. Maintenance staff can make future adjustments of the door, by re-positioning the Adjusta-Screw Fasteners.



### Fire Rated Continuous Hinges

Markar stainless steel (3500 Series), stainless steel (300 Series) and cold rolled steel hinges (200 Series) are available with two labeling options: **Underwriters Laboratories Inc. and Warnock Hersey Int'l.**

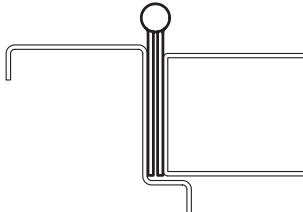

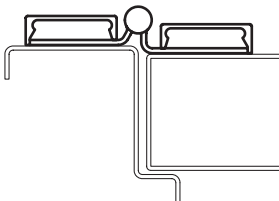

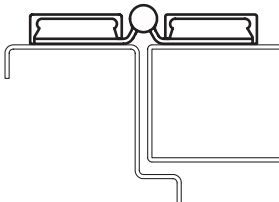

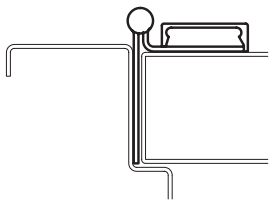

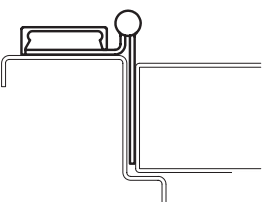

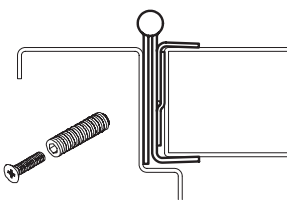

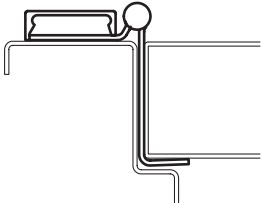

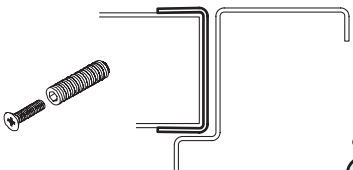

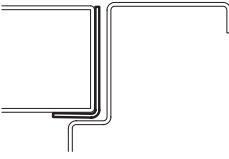

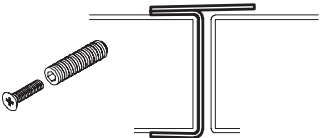

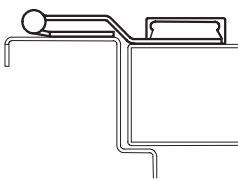



In accordance with Uniform Building Code Standard 7-2 "Fire Test Door Assemblies" & Standard UL 10C for positive pressure

### Modifications and Options:

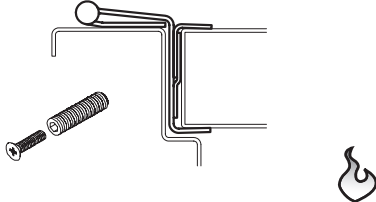
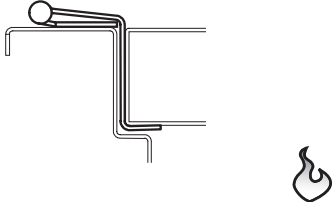

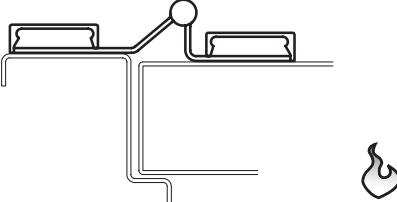
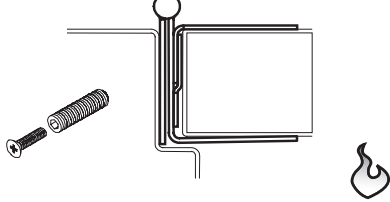
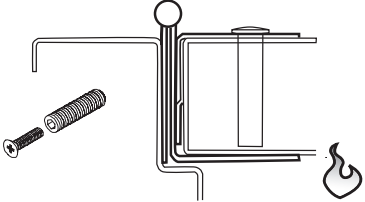
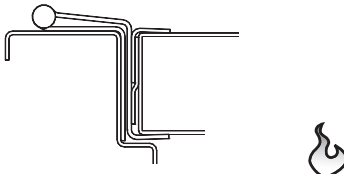
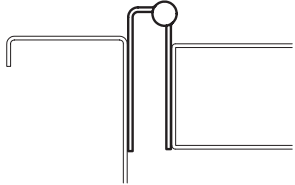
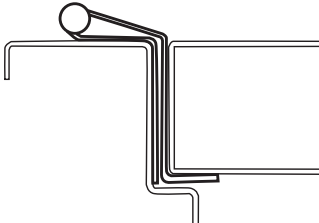
- Adjustable Monitoring Switch
- Hospital Tip Hinges
- Dutch Door Hinge Preparation
- Custom Hole Patterns
- Special Sheared Leaf
- Wide Throw Hinges
- Raised Barrel (Swage)
- Edge Guard Hardware Cut-Outs
- Special Length Hinges
- CTP- Current Transfer Preparation
- CE- Current Transfer –Concealed
- ES- Exposed Monitoring Switch
- Blank Hinges (Minus Hole Pattern)
- Lead Lined Cover (1/16" LEAD)
- Security Fasteners

# DOOR HINGES

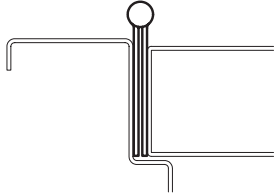

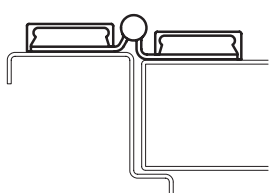

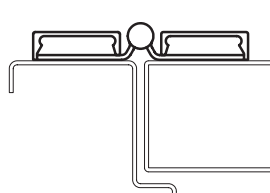

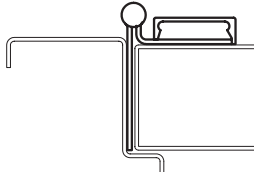

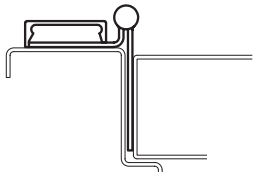

<p><b>FM-300 EDGE MOUNT</b> For all 1 3/4" doors up to 600lbs. Used on high traffic, high abuse doors</p>  	<p><b>FS-301 FULL SURFACE/ 1/8" Inset</b> For all 1 3/4" doors up to 600lbs. Used to repair doors with tight clearances giving a weather tight seal</p>  	<p><b>FS-302 FULL SURFACE/ Flush Mount</b> For all 1 3/4" doors up to 600lbs. Used to repair doors with tight clearances giving a weather tight seal</p>  
<p><b>HS-303 HALF SURFACE</b> For all 1 3/4" doors up to 600lbs. Used to replace butt hinges or to reverse the handing or swing of the door without any modification to the existing door</p>  	<p><b>HM-304 HALF MORTISE</b> For all 1 3/4" doors up to 600lbs. Used to replace butt hinges or to reverse the handing or swing of the door without any modification to the existing door</p>  	<p><b>HG-305 HINGE GUARD</b> For all 1 3/4" doors up to 600lbs. Used to make doors adjustable to non-plumb frames &amp; to protect the door from gouges &amp; dents</p>  
<p><b>HG-306 HINGE/GUARD</b> For all 1 3/4" doors up to 600lbs. Used to reverse the swing of the door &amp; to protect the door from gouges &amp; dents</p>  	<p><b>The RITE Door®</b></p>	<p><b>EG-308 EDGE GUARD</b> For all 1 3/4" doors For both square and beveled doors Used to make doors adjustable to non-plumb frames &amp; to protect the door from gouges &amp; dents</p>  
<p><b>EG-C-308 EDGE GUARD</b> For all 1 3/4" doors For both square and beveled doors Used to protect the door from gouges &amp; dents</p>  	<p><b>EG-T-308 EDGE GUARD</b> For all 1 3/4" doors For both square and beveled doors Used to make doors adjustable &amp; to protect the door from gouges &amp; dents as well as added security acting as a latch protector</p>  	<p><b>FS/SC-309 FULL SURF. SWING CLEAR</b> For all 1 3/4" doors up to 600 lbs. Used to ensure a door opened 90° is entirely removed from the opening Most commonly used on retrofit jobs</p>  

\* Used on specialty doors with HG-315

# DOOR HINGES

<p><b>HG-310 SWING CLEAR HINGE/GUARD</b>            For all 1 3/4" doors up to 600lbs.            Used on operating room doors to swing the door completely out of the opening as well as protecting the door from gouges &amp; dents</p> 	<p><b>HG-311 SWING CLEAR HINGE/GUARD</b>            For all 1 3/4" doors up to 600lbs.            Allows doors to meet ADA requirements            Enabling doors in a retrofit application to swing completely out of the opening</p> 	<p><b>HG-315 EDGE MOUNT HINGE/GUARD</b>            For all 1 3/4" doors up to 600lbs.            Prevents objects from being placed between door and frame as well as protecting the door from gouges &amp; dents</p>  <p>*Used on specialty doors with EG-C-308</p>
<p><b>FS-321 FULL SURFACE/ 3/4" Offset</b>            For all 1 3/4" doors up to 600lbs.            Used in conjunction with 3/4" offset door closers where intermediate pivots have worn and the floor closer can remain</p> 	<p><b>HG-322 EDGE MOUNT HINGE/GUARD</b>            For all 1 3/4" doors up to 600lbs.            Used when the occasional door wrap is needed giving the door full adjustability when fitting non-plumb frames as well as protecting from gouges &amp; dents</p> 	<p><b>HG-323 EDGE MOUNT HINGE/GUARD</b>            For all 1 3/4" doors up to 600lbs.            Used when saving a split door with the two stainless steel leaves sandwiching the door and through bolting it together            Also protecting from gouges &amp; dents</p> 
<p><b>HG-326 Swing Clear Hinge Guard</b>            For all 1 3/4" doors up to 600lbs.            This unique design solves the problem of aligning doors and locking mechanisms crucial in any security application.</p> 	<p><b>FM-327 EDGE MOUNT SAFETY HINGE</b>            For all 1 3/4" doors up to 600lbs.            This unique design will prevent any small fingers from being pinched in your elementary school or day care application            Must be used with a cased open type frame</p> 	<p><b>HG-329 SWING CLEAR HINGE/GUARD</b></p> 

# DOOR HINGES

<p><b>FM-200 EDGE MOUNT</b> For all 1 3/4" doors up to 600lbs. Used on high traffic, high abuse doors</p>  	<p><b>FS-201 FULL SURFACE/ 1/8" Inset</b> For all 1 3/4" doors up to 600lbs. Used to repair doors with tight clearances giving a weather tight seal</p>  	<p><b>FS-202 FULL SURFACE/ Flush Mount</b> For all 1 3/4" doors up to 600lbs. Used to repair doors with tight clearances giving a weather tight seal</p>  
<p><b>HS-203 HALF SURFACE</b> For all 1 3/4" doors up to 600lbs. Used to replace butt hinges or to reverse the handing or swing of the door without any modification to the existing door</p>  	<p><b>HM-204 HALF MORTISE</b> For all 1 3/4" doors up to 600lbs. Used to replace butt hinges or to reverse the handing or swing of the door without any modification to the existing door</p>  	<p>The finish for the 200 Series is gray powder coat primer.</p>