

# Express® Lavatory System — SS-Series

## Model SS-1N

- ADA, ANSI and UFAS Compliant
- Constructed of Vandal Resistant-Terreon® Solid Surface Material
- Available in 21 Colors
- Choose from a Terreon® Sprayhead or a “Bowl Only” model with your choice of faucet
- Optional Deck-Mounted Soap Dispensers
- Mount with optional surface bracket by Bradley or in-wall carriers by others
- Optional Tankless Electric Water Heater

### Specifications

Wall-hung single station fixture. Designed specifically for high traffic commercial hand washing applications. The preassembled sprayhead module is equipped with an independent stream-former that is served by an infrared sensing module and solenoid valve (Model SS-1N/IR), an independent battery IR sensor and battery (Model SS-1N/BIR3) or a pushbutton Touch Time® electronic metering valve (Model SS-1N/TT). Standard flow rate of .5 GPM meets industry standards for water conservation, while providing enough water to rinse hands quickly and efficiently. Operating range is 20–80 PSI.

### Construction

#### Bowl and Sprayhead

Constructed of Terreon®, a densified solid surface material composed of polyester resin. Terreon® is resistant to chemicals, stains, burns, and impact. Surface damage can be easily repaired with everyday cleansers or fine grit abrasives.

#### Acrylic Trap Cover

Optional trap cover is composed of vacuum-formed acrylic laminate. It is highly resistant to impact, abrasion, acid and corrosion. The panel will not chip, peel or flake. This option is not compatible with a tankless electric water heater or a sensor-operated soap dispenser.

#### Stainless Steel Trap Cover

The optional stainless steel trap cover is constructed of 22 gauge Type 304 stainless steel with a #4 finish and is mounted with (4) 1/4"-20 fasteners (supplied by others) into (4) wall anchors (supplied by others). The stainless steel trap cover is compatible with a tankless electric water heater or a sensor-operated soap dispenser.

### Vandal Resistance

The molded sprayhead is bolted securely to the lavatory bowl. The Terreon® material is resistant to chemicals, stains, burns and impact. Damage is repairable. The chrome plated brass streamformer and activation mechanism are secured to the unit from inside the sprayhead module. The infrared sensor will automatically shut off water flow after 30–45 seconds if a vandal attempts to trigger constant operation. TouchTime® activation is electronically controlled at 15 seconds. Optional trap covers conceal all below deck valving, connections and other optional items.



Model SS-1N/IR

### Code Compliance and Certifications

#### ANSI Standards

Terreon® is NAHB certified to meet ANSI Z124.3, Z124.6 and ANSI/ICPA SS-1-2001.

#### UPC Approval

The Express Lav Systems are Uniform Plumbing Code (UPC) approved through the International Association of Plumbing and Mechanical Officials (IAPMO).

#### Mounting

The Express® SS-1N is designed to mount at different heights (adult and children) to comply with guidelines on reaches, clearances and operation for various codes including, ADA Accessibility Guidelines for Buildings and Facilities (ADAAG) and TAS (Texas Accessibility Standards). Always check your local and state codes. The SS-1N can be supported by a surface-mounted bracket supplied by Bradley or in-wall carriers supplied by others. The surface-mounted bracket is constructed of 1" square structural tubing and is zinc-plated mild steel. The surface-mounted bracket also includes a locking device and leveling screws.



U.S. Patent Pending

Document No. 1080

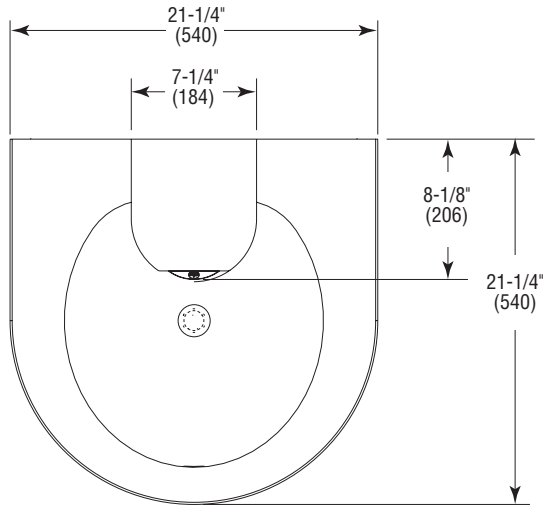
This information is subject to change without formal notice.  
© 2006 Bradley Corporation  
12-15-2006 (8 Pages Total)

**Bradley** 

P.O. Box 309, Menomonee Falls, WI 53052-0309  
Phone 1-800-BRADLEY FAX 262-251-5817  
http://www.bradleycorp.com

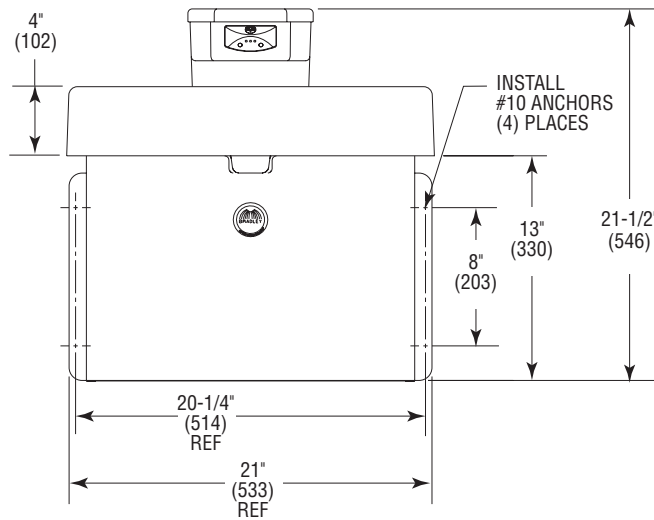
Dimensions shown in parentheses are millimeters.

**Top View**



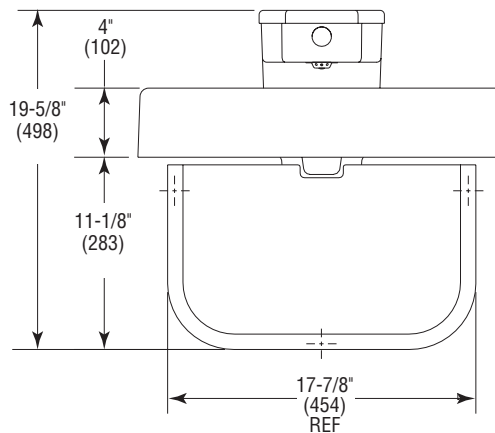
**Side View**

SS-1N IR WITH  
 OPTIONAL STAINLESS  
 STEEL TRAP COVER



**Side View**

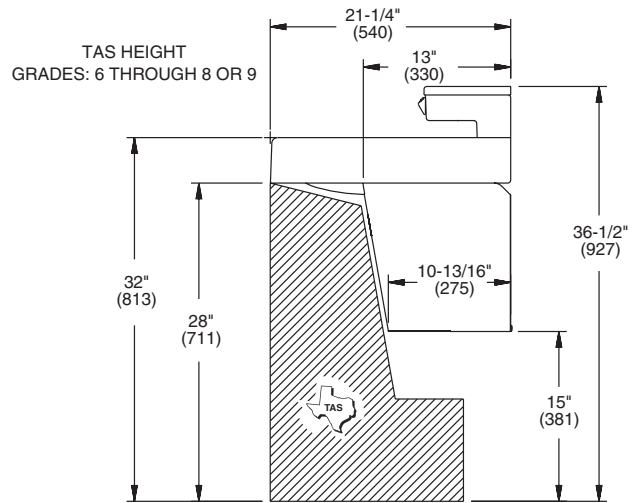
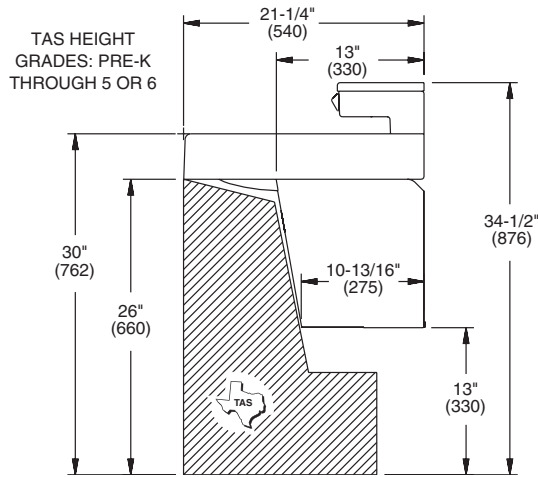
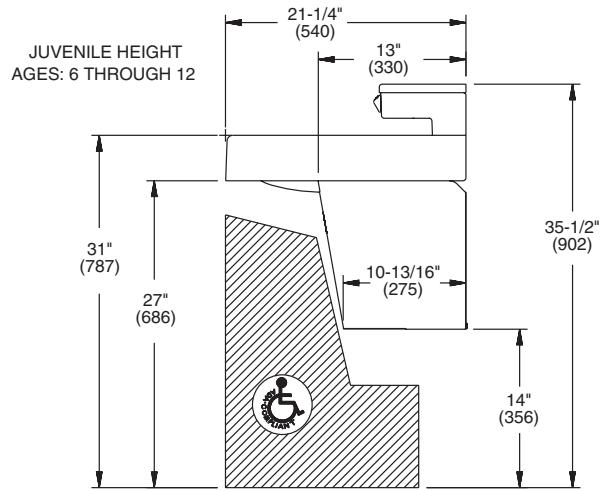
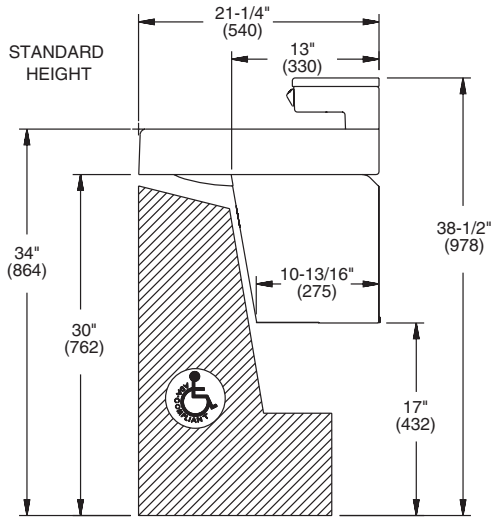
SS-1N TT WITH  
 OPTIONAL ACRYLIC  
 TRAP COVER



Bradley Corporation reserves the right to make changes in design and material without formal notice and without incurring obligation. Verify all rough-in dimensions prior to installation.

**Stainless Steel Trap Cover**

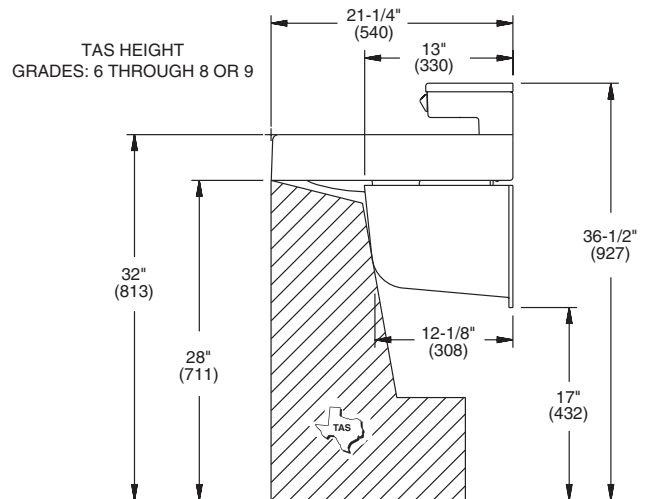
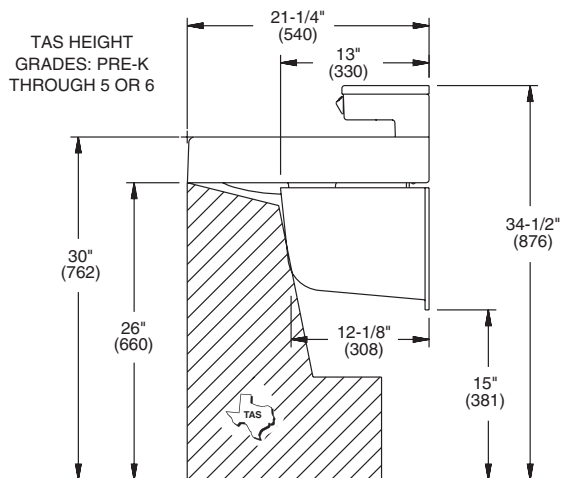
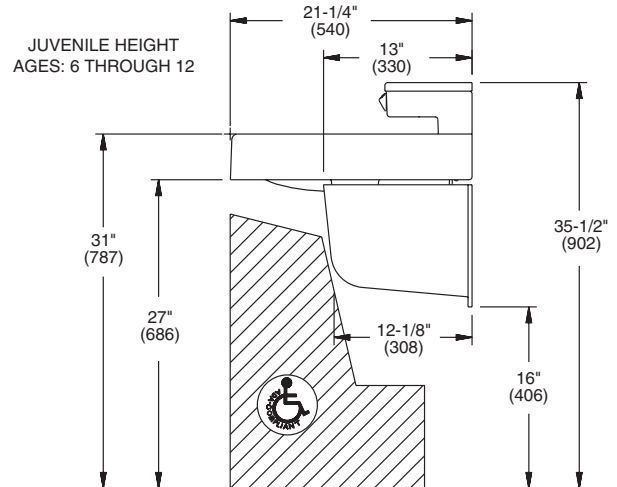
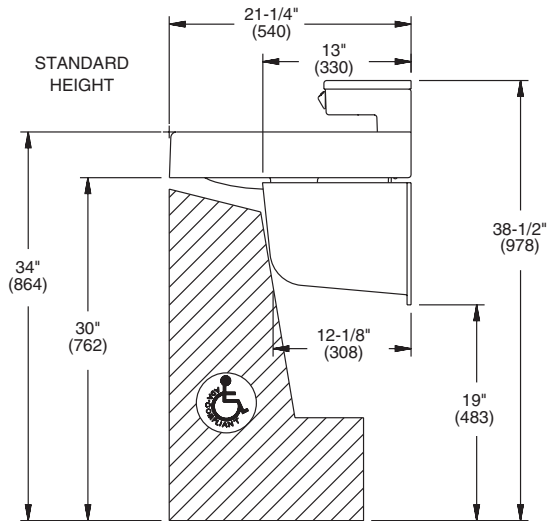
Dimensions shown in parentheses are millimeters.



Bradley Corporation reserves the right to make changes in design and material without formal notice and without incurring obligation. Verify all rough-in dimensions prior to installation.

Acrylic Trap Cover

Dimensions shown in parentheses are millimeters.



Bradley Corporation reserves the right to make changes in design and material without formal notice and without incurring obligation. Verify all rough-in dimensions prior to installation.

SS-1N - Rough-in

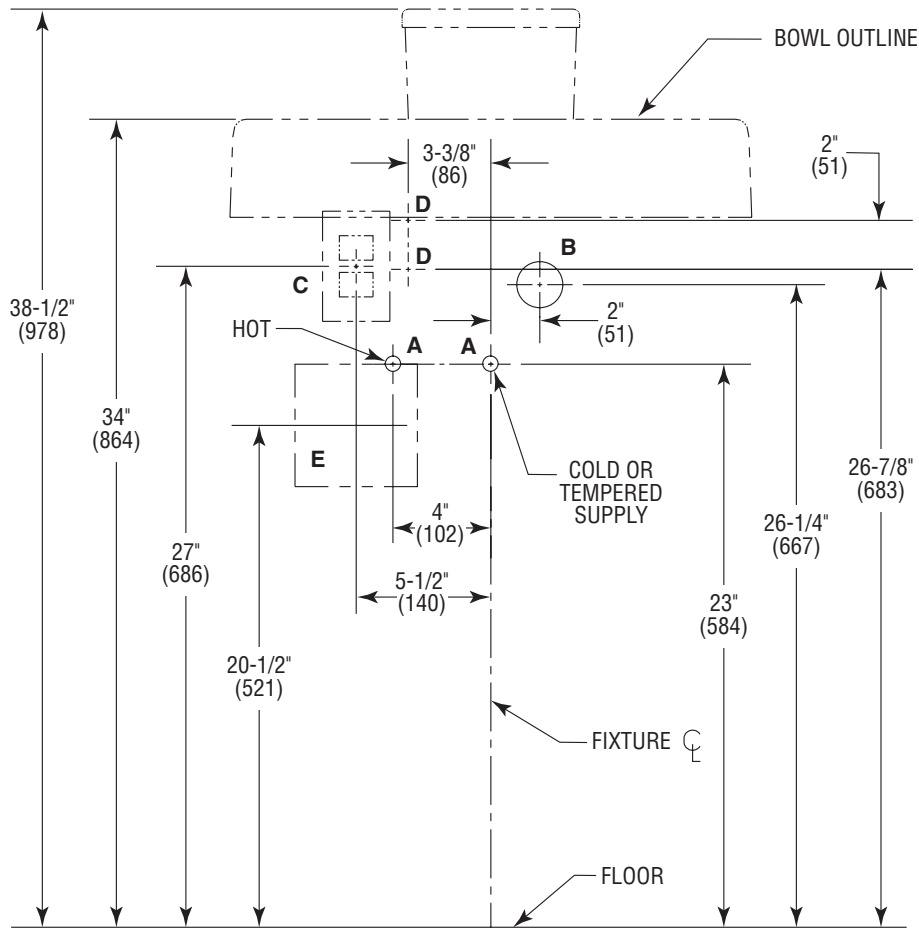


CHART 1

RIM HEIGHT	VERTICAL HEIGHT ADJUSTMENTS "A" THROUGH "E"	FIXTURE STYLE
34"	NONE	STANDARD HEIGHT
34"	NONE	WALL HUNG
32"	SUBTRACT 2"	TAS, GRADES 6 THROUGH 8/9
31"	SUBTRACT 3"	JUVENILE HEIGHT
30"	SUBTRACT 4"	TAS, PRE-K THROUGH 5/6

CHART 2

CODE	DESCRIPTION	QTY.
"A"	1/2" NPT HOT/COLD SUPPLIES, STUB OUT 2" FROM WALL.	2
"B"	1-1/2" NPT DRAIN, STUB OUT 2" FROM WALL.	1
"C"	110V GFCI PROTECTED ELEC. OUTLET. I.R. AND TOUCH TIME ONLY.	1
"D"	#10 FASTENERS/WALL ANCHORS, OPTIONAL.	2
"E"	OPTIONAL HEATER, ELECTRIC BOX LOCATION. 4" L X 4" W X 4" H	1

Bradley Corporation reserves the right to make changes in design and material without formal notice and without incurring obligation. Verify all rough-in dimensions prior to installation.

# Express® Lavatory System — SS-Series

## Model SS-1N

### Standard Equipment

Models SS-1N/IR and SS-1N/TT include bowl, a 110/24 VAC plug-in transformer, flexible stainless steel supply connection, P-trap, grid strainer and tailpiece. Battery included in SS-1N/BIR3 only. The SS-1N (bowl only) includes P-trap, grid strainer and tailpiece.

### Optional Equipment

The SS-1N is available less solid surface sprayhead as a bowl-only unit drilled for a 4" and 8" centerset or centershank faucet options. Equip with your choice of Bradley faucets or a faucet by others. The various SS-1N models can be equipped with a deck-mounted soap dispenser. Optional trap covers and optional surface-mounted brackets are also available.

### Express Lavatory System Thermostatic Tankless Electric Water Heater

The optional tankless electric water heater is equipped with a microprocessing temperature control capable of maintaining outlet temperature accuracy of +/- 1° F. Factory preset at 105° F. Flow switch activates heater only on demand with 99% efficiency. For easy service, the heater features a replacement cartridge element. Select TC-STEEL if a trap cover is desired with the heater option. Heaters not available with BIR3 activation.

Model	KW	VAC	Amps	Temp Rise @ 1 GPM
EX55TMLB	5.5	240/208*	23	75° F
EX60TMLB	6.0	277	22	81° F

\* 240 volt can also be rated 208 volts with a 25% reduction in power.

### Sensor-Operated Soap Dispenser

The optional sensor-operated soap dispenser (6315) is available on all SS-1N units. The soap dispenser features reliable infrared metering activation and LED indicators for Low Battery / Low Soap Refill (soap not included). The dispenser is powered by (4) "D"-cell batteries (not included). 27 oz. (1000 shot) and 54 oz. (2000 shot) soap bottles are available from Bradley for use with the sensor operated soap dispenser. Sensor operated soap dispenser (6315) is compatible with the stainless steel trap cover only.

### Activation Controls

#### Infrared Sensor (Model SS-1N/IR)

The streamformer is controlled by a solenoid valve. Hands placed within the bowl are detected by an infrared sensor module, which activates a flow of tempered water to the streamformer. Shut-off is automatic after hands are removed from the detection area.

The infrared sensor uses a conical shaped transmitting beam, having a detection area adapted to, but not exceeding, the bowl perimeter. The detection area projects forward 15° to each side and 15° below horizontal. The infrared sensor automatically adapts to the bowl after power is turned on.

The infrared sensor is not affected by varying color tones or darkness. Direct sunlight or bright washroom lights will not activate the system. Includes solenoid valve and a low voltage transformer as standard equipment:

- Solenoid - 24V, 50/60 Hz, 3/8" NPT. Few moving parts, and resistant to most chemicals, minerals, and impurities often present in municipal water supplies.
- Low Voltage Transformer - Class II UL/CSA listed, 110/24 VAC plug-in transformer. Plugs into a standard GFCI protected electrical outlet.

#### TouchTime® Metering Control (Model SS-1N/TT)

The low voltage push button activates a non-hold-open, slow closing anti-hammer solenoid valve that is timed from an electronic potted assembly. The push button activates one valve, which, in turn, activates water flow. TouchTime® controls water flow through the use of solid state, digital circuitry. Timing is electronically controlled at 15 seconds.

#### Battery Infrared Sensor (Model SS-1N/BIR3)

The battery-powered sensor uses a zone-focused infrared transmitting beam, creating a large detection area not exceeding the bowl perimeter. The sensor is not affected by varying skin tones or darkness. When hands enter the detection area, the sensor starts water flow by opening the valve electronically. When hands leave the detection area, the sensor stops the flow of water by closing the electronically-activated solenoid valve. The 6-volt DC, electronically-activated solenoid valve has few moving parts providing reliable operation which is unaffected by most chemicals and minerals often present in municipal water supplies. The station is powered by a single lithium battery. Battery type is Duracell® DL 223A or equivalent (battery included).

#### Flow Control Rate

Operating range 20–80 psi. Flow restrictor keeps flow rate constant at all pressures. Flow rate: 0.5 GPM.

# Express® Lavatory System — SS-Series

## Model SS-1N

### Sample Specification

The modular lavatory system shall be Bradley Express Model SS-1N/IR. The lavatory system shall provide one hand washing station. Each hand washing station mounted at standard height shall comply with ANSI and ADA accessibility standards.

- Bowl and sprayhead cover material for each station shall be constructed of NAHB Certified Terreon, complying with ANSI Z124.3, Z124.6 and ANSI/ICPA SS-1-2001.
- Bowl and sprayhead finish shall be decorative stone.
- Bowl Color: Empire Gray (other optional colors available).
- Each hand washing station shall have a streamformer served by a solenoid valve and actuated by an infrared sensing module with conical transmitting beams not exceeding the bowl perimeter. Sensor shall have a 2- to 3-second turn-off delay, and automatic shut-off after 30–45 seconds of continuous operation.
- Lavatory system shall include plug-in transformer, all waste and supply connections to wall and thermostatic mixing valve with stop/strainer/check valves.
- Unit to include ADA compliant (optional selection) trap cover.
- Unit to be supported by surface-mounted brackets complying with ANSI Z124.3 or in-wall carriers (supplied by others).
- Unit to meet Uniform Plumbing Code (UPC) approval.

# Express® Lavatory System — SS-Series

## Model SS-1N

Model	
Model No.	Description
SS-1N	Express Lavatory System — SS-Series (Select Sprayhead or Faucet from options below)

Standard Selections	
<b>Sprayhead or Faucet Drilling*</b>	
<input type="checkbox"/> IR	Sprayhead w/ Infrared Control
<input type="checkbox"/> BIR3	Sprayhead w/ Battery Infrared Control
<input type="checkbox"/> TT	Sprayhead w/ TouchTime® Control
<input type="checkbox"/> 4" SET	4" Centerset
<input type="checkbox"/> 8" SET	8" Centerset
<input type="checkbox"/> SHANK	Centershank
<input type="checkbox"/> NFD	No Faucet Drilling
<b>Soap Dispenser (Select One):</b>	
<input type="checkbox"/> 6322	16oz Plastic Globe, 2-1/2" Spout
<input type="checkbox"/> 6322-67	16oz Stainless Steel Globe, 2-1/2" Spout
<input type="checkbox"/> 6322-68	32oz Plastic Globe, 2-1/2" Spout
<input type="checkbox"/> 6315	Sensor-Operated Soap Dispenser **
<input type="checkbox"/> SDO	Soap Drilling Only
<input type="checkbox"/> NSD	No Soap Dispenser
<i>For 6315 dispenser must order as separate line items</i>	
<input type="checkbox"/> P19-232B	1000 Shot or 27 oz. Lotion Soap with Moisturizer ***
<input type="checkbox"/> P19-232A	2000 Shot or 54 oz. Lotion Soap with Moisturizer ***
<input type="checkbox"/> P19-231F	AC Adapter - 6315
<b>Water Supply (Select One):</b>	
<input type="checkbox"/> TMA	Vernatherm™ Thermostatic Mixing Valve (Hot and Cold Supplies)
<input type="checkbox"/> TL	Single Tempered Line
<b>Tankless Heaters Not Available with BIR3 Activation:</b>	
<input type="checkbox"/> HEAT277	Tankless Electric Water Heater, 277 volts
<input type="checkbox"/> HEAT240-208	Tankless Electric Water Heater, 240/208 volts
<input type="checkbox"/> NONE	No Valve Option Selected

\* For more information on faucets, valves, transformers, and cabinets, please refer to the Faucet Section of the Bradley Plumbing Fixtures Catalog or visit [www.bradleycorp.com](http://www.bradleycorp.com)

\*\* For more information on the sensor-operated soap dispenser, please refer to Document No. 8653 or visit [www.bradleycorp.com](http://www.bradleycorp.com)

\*\*\* Lotion soap with moisturizer sold in case quantity – 4 bottles per case.

\*\*\*\* Designer color available at an additional charge.

❶ Non-cancelable, non-returnable

Document No. 1080

This information is subject to change without formal notice.  
12-15-2006 (8 Pages Total)

Standard Selections...Continued	
<b>Color of Terreon® Bowl/Sprayhead Cover (Select One):</b>	
<b>Standard Colors</b>	
<input type="checkbox"/> E-GRAY	Empire Gray
<input type="checkbox"/> PEP-WHT	Peppered White
<input type="checkbox"/> SAND	Sandtrap
<input type="checkbox"/> CHAR	Charcoal Gray
<input type="checkbox"/> JADE	Jade
<input type="checkbox"/> GRAPH	Graphite
<input type="checkbox"/> LANNON	Lannonstone
<input type="checkbox"/> COBBLE	Cobblestone
<input type="checkbox"/> WHT-SAND	White Sand
<input type="checkbox"/> LONDON	London Gray
<input type="checkbox"/> O-TAUPE	Organic Taupe
<b>Designer Colors **** ❶</b>	
<input type="checkbox"/> ARC-CHIP	Arctic Chip
<input type="checkbox"/> S-SAGE	Summer Sage
<input type="checkbox"/> RIVER	Riverstone
<input type="checkbox"/> MYSTIC-M	Mystic Moss
<input type="checkbox"/> STAR-D	Stardust
<input type="checkbox"/> COFFEE	Coffee Bean
<input type="checkbox"/> CORN	Cornfield
<input type="checkbox"/> BLUESKY	Blue Sky
<input type="checkbox"/> HILLSIDE	Hill Side
<input type="checkbox"/> MOUNTAIN	Mountain Top

Optional Selections	
<b>Color of Trap Cover (Select One):</b>	
<input type="checkbox"/> TC-GRAY	Gray Trap Cover
<input type="checkbox"/> TC-PUTTY	Putty Trap Cover
<input type="checkbox"/> TC-COAL	Coal Trap Cover
<input type="checkbox"/> TC-STEEL	Stainless Steel Trap Cover
<b>Mounting:</b>	
<input type="checkbox"/> BRKT	Surface Mounted Bracket (Instead of carrier by others)
<b>P-Trap:</b>	
<input type="checkbox"/> S-CHROME	Single Chrome-Plated P-Trap



P.O. Box 309, Menomonee Falls, WI 53052-0309  
Phone 1-800-BRADLEY FAX 262-251-5817  
<http://www.bradleycorp.com>