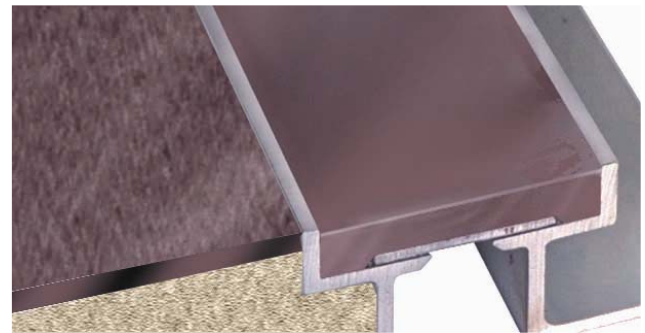


Wabo®FlatlineURE

Interior Floor Expansion Joint System

Features	Benefits
<ul style="list-style-type: none"> • Durable and time tested 	Limited maintenance
<ul style="list-style-type: none"> • Narrow sight lines 	Aesthetically attractive
<ul style="list-style-type: none"> • Factory assembled 	Reduces construction costs
<ul style="list-style-type: none"> • Fast, simple installation 	Reduces installation time and labor costs.



DESCRIPTION:

Wabo®FlatLine expansion joints are shipped as single factory bonded monolithic joint sections capable of providing a flat transition between opposing interior walls and ceilings. The polyurethane expansion strip allows for a +/- 25% movement and complies with ADA guidelines and Federal Specification TT-S-0277-E (3) with a 25 to 30 Shore A hardness. The Wabo®FlatLine series has narrow sightlines. It is also available with optional factory fabricated directional changes. Four-color choices are available: Aluminum stone, limestone beige, redwood tan and black.

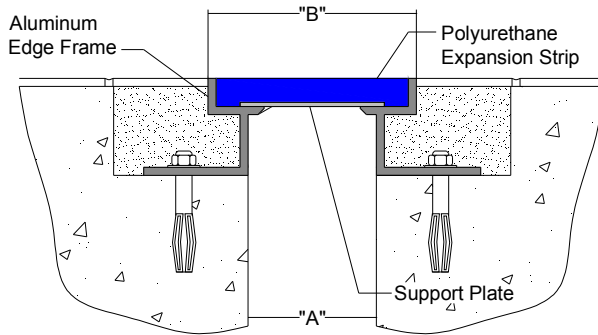
RECOMMENDED FOR:

- All Interior floor expansion joint applications.
- For use in various construction projects including:
 - Health-Care
 - Transportation
 - Recreation
 - Retail
 - Commercial
 - Educational
 - Parking Garage (interior areas)

PACKAGING/COVERAGE:

- Monolithic joint system: shipped in standard 10-foot lengths.
- Accessories: shipped in manufacturers standard labeled carton.
- Aluminum profiles: supplied with clear anodized finish in accordance with AA-M10 C22 A31 Class II (0.4 – 0.7 thick anodic coating).

TECHNICAL DATA:



Model URE

Note: see product sales drawings for additional details

Movement Table

Model Number	Joint Opening ("A")		System Width ("B")		Total Movement	
	inches	mm	inches	mm	inches	mm
URE-100	1.00	25	2.25	57	0.75	19
URE-150	1.50	38	2.75	70	1.00	25
URE-200	2.00	51	3.25	83	1.50	38
URE-100C	1.00	25	1.63	41	0.75	19
URE-150C	1.50	38	2.13	54	1.00	25
URE-200C	2.00	51	2.63	67	1.50	38

Physical Properties

Aluminum Extrusions: ASTM B221, alloy 6061-T6 or 6063-T5.

Aluminum Shapes: ASTM B209, alloy 6061-T6 or 5005-H34

Expansion Strip: factory poured, two-component, polyurethane. Complies with federal specification TT-S-0027-E(3) with a shore A hardness of 25-30.



APPLICATION:

Installation Summary:

- Protect all expansion joint components from damage during installation and protect finished installation from damage from other trades during all work activities.
- Expansion joint systems shall be installed in accordance with manufacturer's typical details and installation procedures.
- Wall or ceiling construction and materials shall be designed to allow for proper installation of system and its components. Construct any wall recess in accordance with manufacturer's recommendations.
- Construct joint openings consistent in width and straight along joint height. Utilize double metal studs on both sides of the joint opening. Inspect and verify all substrates to be solid and sound prior to work.
- Construct all adjacent walls to be vertically flat along height and flush across both sides of the opening. Inspect and verify all substrates to be solid and sound prior to work.
- Install required gypsum wallboard inside joint opening at fire rated locations. Install appropriate fire barrier system, if required by building code and rated construction. Contact WBA for recommendations on appropriate fire barrier system.
- Metal components shall be cut to length on job site where required. Components shall be miter cut in the field to conform to directional changes unless otherwise contracted with expansion joint manufacturer.
- All anchor holes shall be field drilled in accordance with manufacture's drawings.

For Best Results:

- Do not install if the joint's anticipated movement will exceed the system's movement range.
- Deliver product in each manufacturer's original, intact, labeled containers. Protect the work area with appropriate plastic sheeting.
- Do not allow any of the components to freeze prior to installation. Store all components out of direct sunlight in a clean, dry location between 50°F and 90°F. Store off the ground and protect from weather and construction activities.
- Do not use for external locations, which require watertight expansion joint system. Contact WBA for recommendations.
- Periodically inspect the installed material and repair localized areas as needed. Inspect for loose components and/or hardware, repair as necessary. Consult a Watson Bowman Acme representative for additional information.
- Make certain the most current version of the product data sheet is being used. Please consult the website (www.wbacorp.com) or contact a customer service representative.
- Proper application is the responsibility of the user. Field visits by Watson Bowman Acme personnel are for the purpose of making technical recommendations only and not for supervising or providing quality control on the jobsite.

Related Documents:

- Material Safety Data Sheets
- Wabo®FlatLineURE Specification
- Wabo®FlatLineURE Sales Drawings
- Wabo®FlatLineURE Installation Procedure



LIMITED WARRANTY:

Watson Bowman Acme Corp. warrants that this product conforms to its current applicable specifications. WATSON BOWMAN ACME CORP. MAKES NO OTHER WARRANTY, EXPRESS OR IMPLIED, INCLUDING ANY WARRANTY OF MERCHANTABILITY OR WARRANTY OF FITNESS FOR A PARTICULAR PURPOSE. The sole and exclusive remedy of Purchaser for any claim concerning this product, including, but not limited to, claims alleging breach of warranty, negligence, strict liability or otherwise, is the replacement of product or refund of the purchase price, at the sole option of Watson Bowman Acme Corp. Any claims concerning this product shall be submitted in writing within one year of the delivery date of this product to Purchaser and any claims not presented within that period are waived by Purchaser. IN NO EVENT SHALL WATSON BOWMAN ACME CORP. BE LIABLE FOR ANY SPECIAL, INCIDENTAL, CONSEQUENTIAL (INCLUDES LOSS OF PROFITS) OR PUNITIVE DAMAGES. Other warranties may be available when the product is installed by a factory trained installer. Contact your local Watson Bowman Acme representative for details. The data expressed herein is true and accurate to the best of our knowledge at the time published; it is, however, subject to change without notice.

Contact

*Watson Bowman Acme Corp. 95 Pineview Drive, Amherst, NY 14228
phone: 716-691-7566 / fax: 716-691-9239 / web site: <http://www.wbacorp.com>*

WaboFlatLineURE_1206