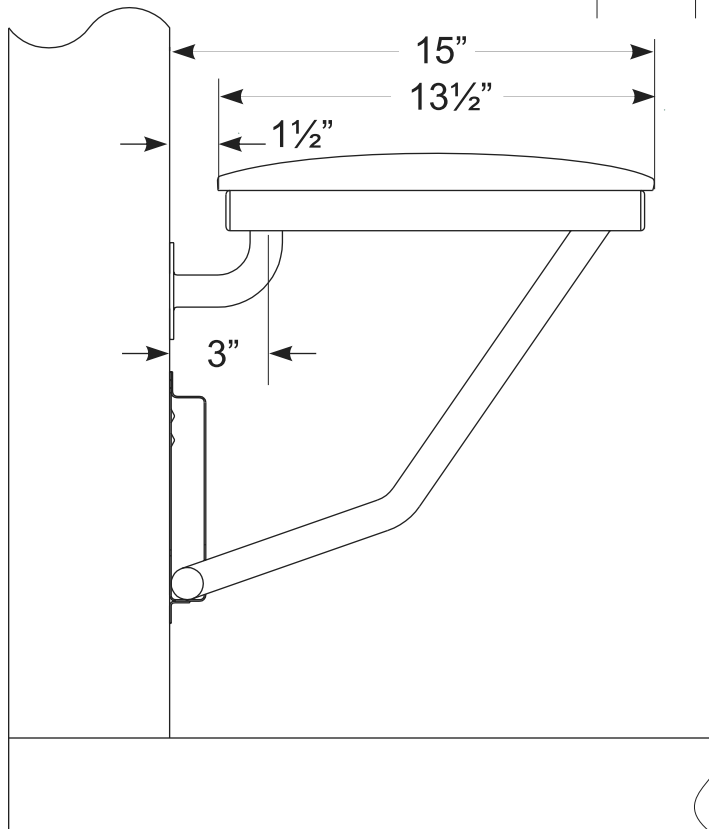
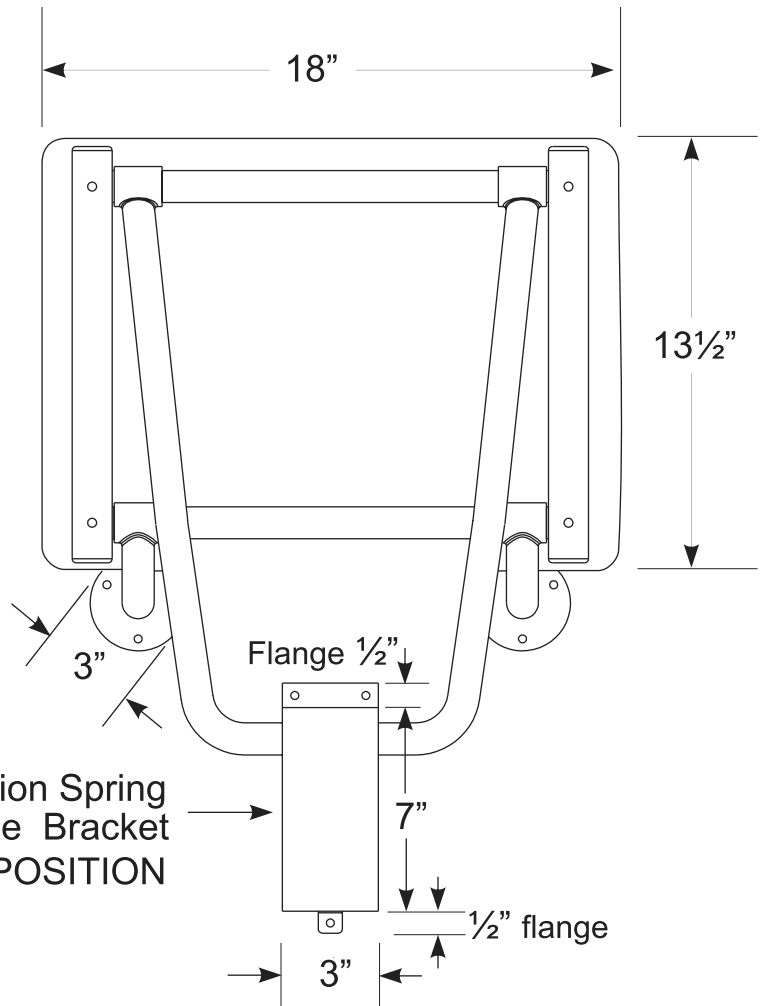


SSB-1801 Rectangular Fold-Down Seat

The rectangular fold down seats are upholstered in white Naugahyde over 2" thick foam. The "U" shaped leg passes through a wall-mounted, constant friction bracket requiring little effort to raise and lower the seat and holds the seat securely in the up position when not being used. The main frame is made from 1 1/4", 18 gauge stainless steel tubing. The "U" shaped leg yoke is 1", 18 gauge stainless steel tubing.

Installation: Seats must be installed using suitable fasteners and adequate in-wall support materials.



Note: Final height and width dimensions of the delivered product shall be within reasonable tolerances of the quoted height and width dimensions.