
Contents:

Before You Begin	p 1-3
Trim	p 4-7
Cutting and Fastening	p 7-8
Shapes	p 9-17
Lap	p 17-19
Vertical	p 20-21
Special Situations	p 22-23
Finishing	p 24

Before You Begin

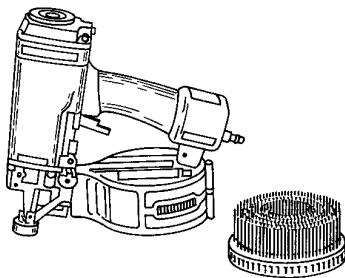
These installation techniques describe and illustrate the steps involved in installing CertainTeed's WeatherBoards™ FiberCement Siding. Before you begin, we suggest that you read these instructions twice. First, read them from beginning to end to get a feel for the overall flow of the project. As you begin to work, re-read the section covering the specific task you are completing.

If you need more comprehensive instructions, contact us at 800-233-8990. Additional instructions are also available on our website, www.certainteed.com, or through our Fax-On-Demand Service (dial 800-947-0057 and follow the prompts).

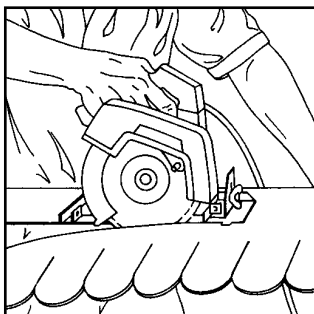
Your installation methods for this product must be in compliance with all applicable local and state building codes.

Inspect the unit for breakage, foreign objects, surface defects, color consistency and correctness. **Do not install questionable product!** If you should find a siding defect, contact CertainTeed's Consumer Service Group immediately at 1-800-999-3654. Should you elect to install questionable product and a manufacturing defect is not found to be the source of the problem, any claim may not be honored.

Use Pneumatic Nailers



The WeatherBoards Diamond Tip Blade Is Recommended



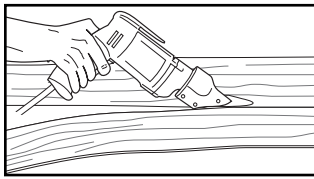
Tools

Pneumatic nailers work best. They speed installation and help ensure consistent penetration. Set the pressure to meet job site conditions (typically, between 80 and 85 psi). A nailer with a flush mount attachment (adjustable depth of drive) will prevent over-driving the nails.

Cut fiber cement siding and trim face down with a diamond tip blade (dry-cut). We recommend you use the WeatherBoards Diamond Tip Blade, which is designed specifically for cutting fiber cement. You can cut four or five pieces at one time with this type of blade installed on a radial arm or chop saw.

When equipped with diamond tip blades, power miter saws can also be used to cut WeatherBoards Siding and Trim. To avoid breaking the fiber cement, use extra care when cutting near the edge of lap siding. Be sure to read the safety section on page 2.

Mechanical Shears Can Also Be Used



For irregular or radius cuts, use a mechanical shear or a jigsaw equipped with a medium or course-grit carbide blade or a diamond jigsaw blade.

Use a standard hole saw for making penetrations similar to those needed for plumbing pipes.

Fiber cement siding can be ripped lengthwise both partially or at its full length. Notched or narrow pieces can be handled and installed if you take reasonable care.

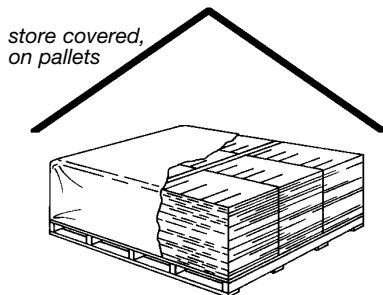
When you cut prefinished siding, seal all the cut edges with touch-up paint or a field-applied top coat.

Safety

Work outdoors where feasible or use mechanical ventilation when possible.

When operating power tools to saw, cut, drill, or sand this product, wear a NIOSH-approved disposable dust mask or respirator equipped with an N, P, or R cartridge and follow the manufacturer's instructions for use and care of the respirator.

Proper Storage

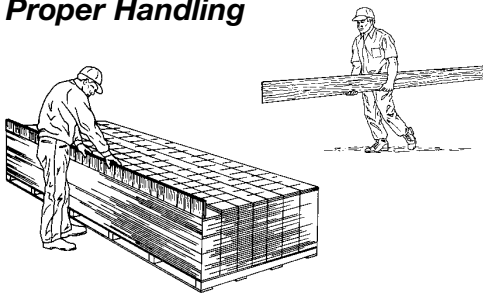


Storage and Handling

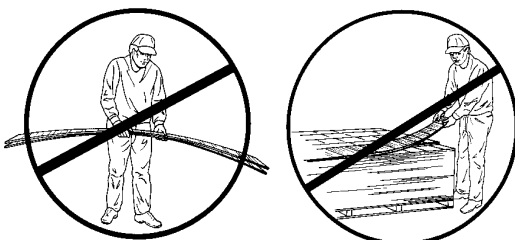
Fiber cement must be kept covered and stored up off the ground, on a clean flat surface. Protect it from direct exposure to the weather.

- Don't store fiber cement siding or trim directly on the ground.
- Use the plastic wrapper that is provided to keep the product dry. Prefinished siding must be kept covered with the bonnet provided and kept dry at all times.
- All WeatherBoards FiberCement Siding and Trim is sealed with our proprietary FiberTect Sealing System. Even with this sealer, the product can become saturated if not protected during storage. **If fiber cement becomes saturated, don't install it until it dries out.**
- Carry fiber cement siding or trim by its narrow edge, as shown, and support it when you cut large pieces.
- Keep the boards covered so that moisture does not settle on the siding. If handled incorrectly, the surface of prefinished siding will scratch, so pick up the boards from the center to avoid marring the surface of the board below.

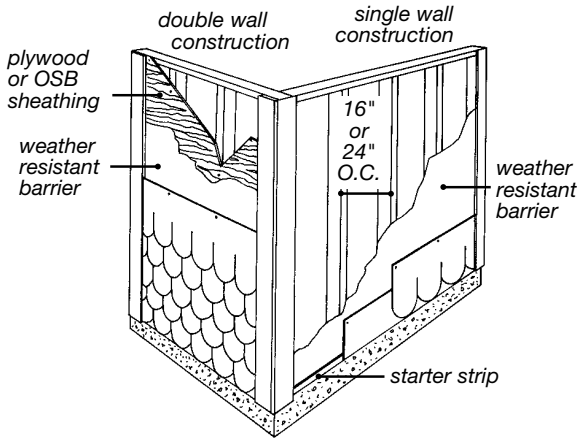
Proper Handling



Improper Handling



Sheathing and Wraps



- **BEFORE YOU BEGIN:** Inspect the siding or trim for breakage and surface defects. Examine it for color correctness, consistency, and surface defects. Report any problems **BEFORE** you begin installing WeatherBoards Siding and Trim.

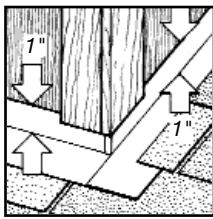
• **Do not install siding or trim that is saturated.** Installing siding that is wet or saturated may result in shrinkage at butt joints.

Sheathing and Wraps

When fiber cement siding is installed, it should be applied over plywood, OSB, or comparable sheathing. Builder board and foam-type sheathings are also acceptable. Before you install the siding, review and comply with all local building codes and regulations regarding the proper use of weather-resistant barriers, house wraps, vapor barriers, etc.

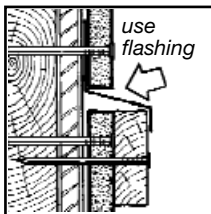
1. Take extra care when installing fiber cement over foam sheathings. Foam sheathings may crush, especially when they are hand-nailed.
2. If you install WeatherBoards Siding over a non-nailable substrate such as foam sheathing, pre-drill the holes at the corners to avoid accidental breakage. Panels must be nailed into studs (16" or 24" O.C.).

Roof Flashing Detail



paint bottom edge

"Z" Flashing of Horizontal Joints

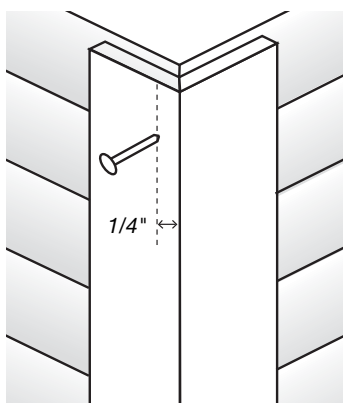
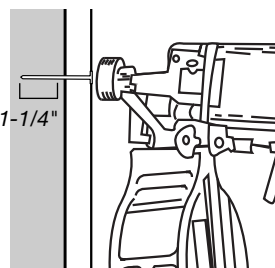
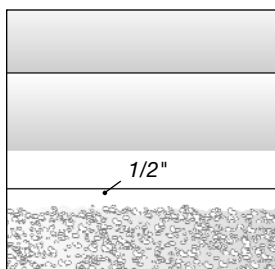
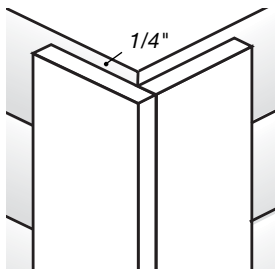
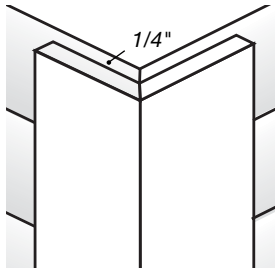
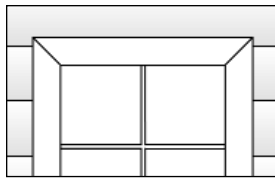


Flashing

Using non-corrosive materials, install flashing around all doors, windows, rake boards, chimneys, and other areas where needed. Drip cap flashing above all openings will help ensure a weathertight installation.

The horizontal joints on a building sided with vertical siding must be weatherproofed with non-corrosive "Z" flashing.

DO NOT caulk the bottom of the horizontal joint that is above the flashing.



Trim

With WeatherBoards FiberCement Siding, we recommend you install either CertainTeed Composite Trim or WeatherBoards FiberCement Trim.

Composite Trim

Like WeatherBoards Siding, composite lumber is a durable, high-performance product that combines the beauty of wood with low maintenance. It is easy to cut, drill, and rout with regular woodworking tools. Install composite lumber just as you would wood trim.

Joining Two Pieces

- Windows and Doors — Miter or square-cut the boards, and join them in contact with each other.
- Corners — Leave 1/4" at the top and bottom of the wall for corners. All butt joints in the corner can then be in contact with each other. All joints should be caulked. When assembling a traditional corner from two pieces, one piece may be nailed into the other to make the corner.
- Other applications — When using full pieces, be sure to leave 1/4" where trim is in contact with other members.
- Keep the trim at least 6" above the grade or concrete surfaces.

Fastening

CertainTeed Composite Trim can be hand-nailed or installed with a pneumatic nailer. Use 6d or 8d nails or finish nails. All fasteners must be corrosion-resistant; we recommend hot-dipped galvanized or stainless steel fasteners. All fasteners must be long enough to penetrate a solid wood substrate a minimum of 1-1/4" (or 3 threads for screws into steel studs). **Do not use D-head nails, framing nailers, or staples.**

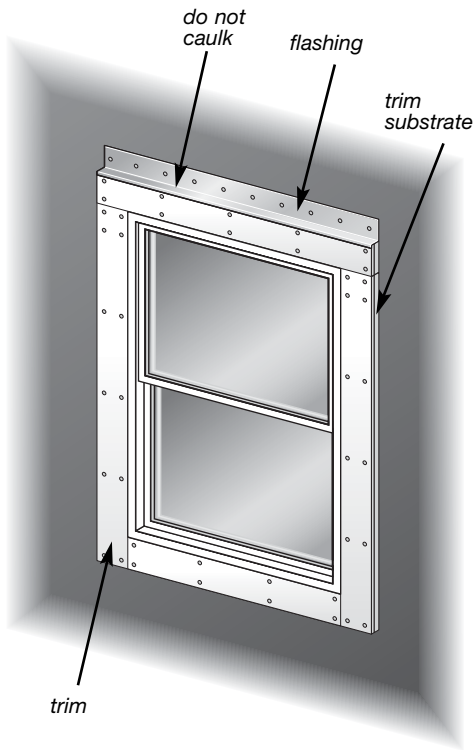
Fastener Placement

Place all fasteners at least 1/4" from the edge. They should be flush or slightly indented into the material. Do not penetrate the trim more than 1/8".

- Place finish nails every 10" to 12".
- Place 6d and 8d nails every 12" to 16".
- Place screws in steel studs every 12" to 16".

Fiber Cement Trim

Install WeatherBoards FiberCement Trim just as you would wood trim. You can install the trim either directly to trim substrate or over the siding. Keep the trim at least 6" above the grade or concrete surfaces. **Nail no closer than 1" from the end of each board and 3/4" from the edge.**



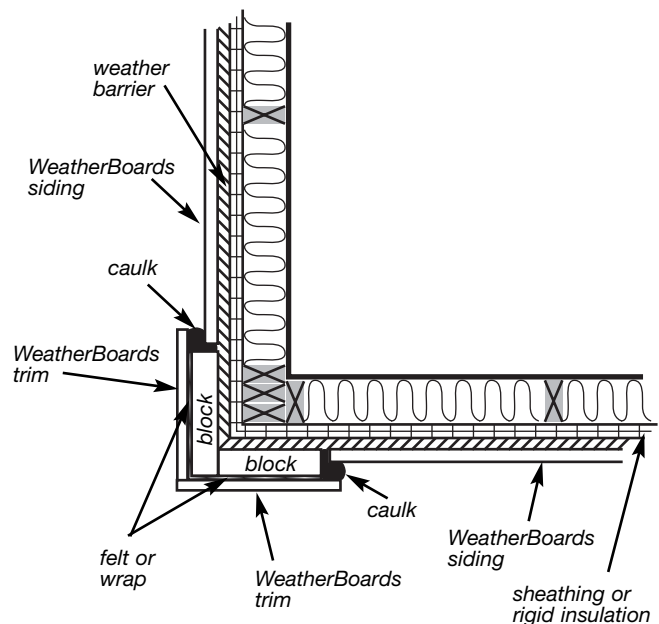
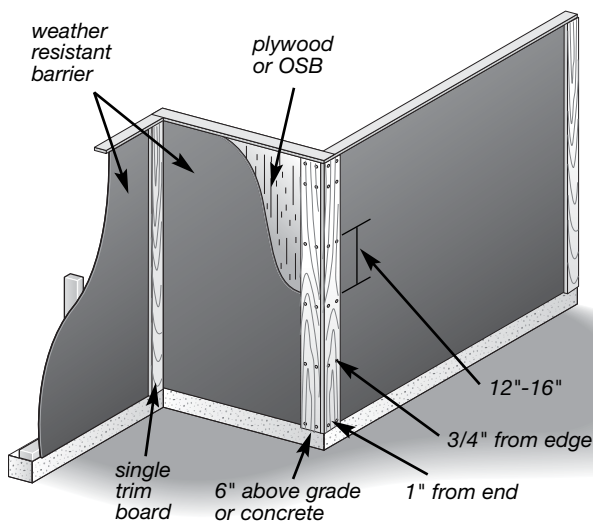
Applying Trim to Trim Substrate

Use a trim substrate that provides a 1/2" (minimum) projection from the sided surface. Attach the trim substrate to the studs; then attach fiber cement trim as described below (see exploded view). Be certain to prime or paint the trim substrate to prevent rot. When applying the siding, leave 1/8" between the siding and the trim and caulk.

Windows and Doors — Square or miter-cut the trim boards, and join them in contact with each other. Nail them flush to the window or door every 12" to 16". When you install the siding, leave 1/8" between the siding and the trim; caulk between the siding and the trim.

Inside Corners — Position a single trim board on the wall, and fasten every 12" to 16". When you install the siding, leave 1/8" between the siding and the trim; caulk between the siding and the trim.

Outside Corners — When assembling a traditional corner from two pieces, one piece may be nailed into the other to make the corner. Fasten the trim to the trim substrate every 12" to 16". When you install the siding, leave 1/8" between the siding and the trim; caulk between the siding and the trim.

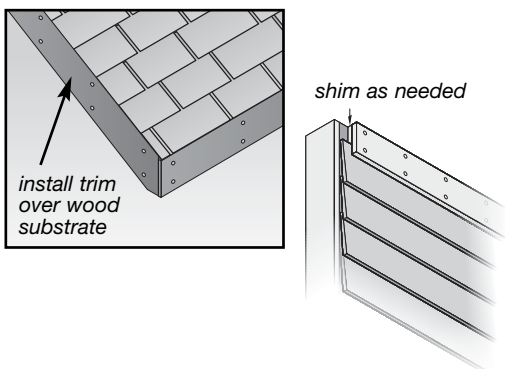
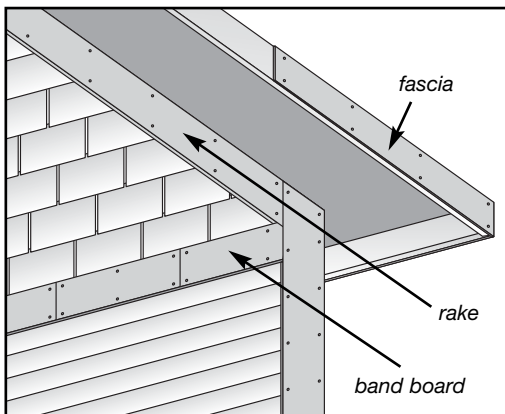
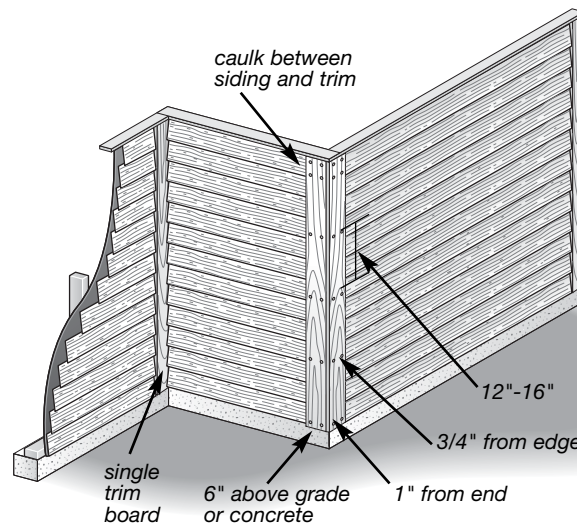
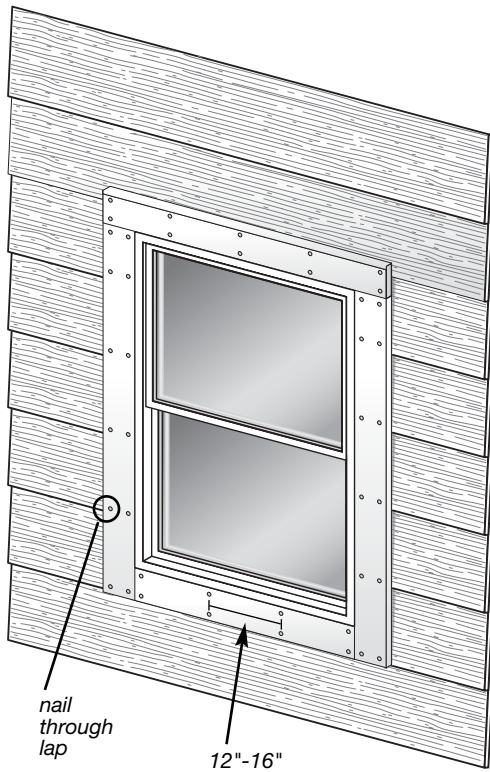


Applying Trim over Siding

Make sure the siding is completely installed before you hang the trim.

Windows and Doors — Square or miter-cut the trim boards, and nail through the siding into the trim substrate every 12" to 16". Nail only on the nailing area of the siding.

Outside Corners — Fasten the boards every 12" to 16". Nail through the siding into the trim substrate. **Nail only on the nailing area of the siding.**



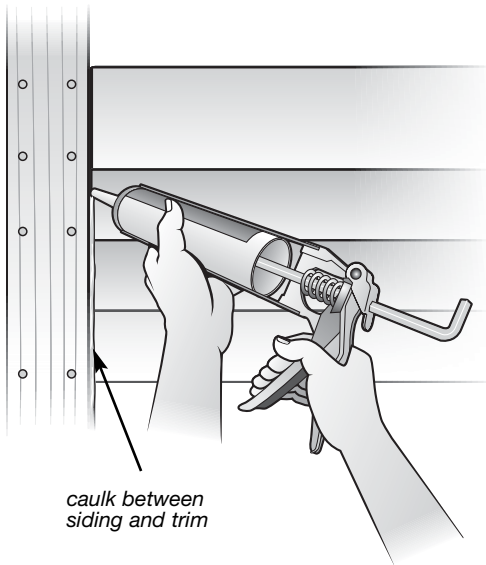
Band and Frieze Boards, Rakes, and Fascia

WeatherBoards FiberCement Trim can also be installed as band boards, frieze boards, rakes, and fascia. **Nail no closer than 1" from the end of each board and 3/4" from the edge.**

Band Boards — For band boards, install fiber cement trim over the wood furring with the appropriate flashing. Butt the trim and nail every 12" to 16".

Rakes and Frieze Boards — If installing over siding, you may have to shim the frieze board to create an even look. Butt the joints and nail through the trim substrate and siding into the framing or a wood substrate every 12" to 16". Nail only on the nailing area of the siding. Do not nail between the lap joints. If installing directly to trim or wood substrate, leave 1/8" between the siding and the trim when you install the siding. Caulk between the siding and the trim.

Fascia — Install fiber cement trim over a wood subfascia. Butt the trim and nail every 12" to 16".



Caulk

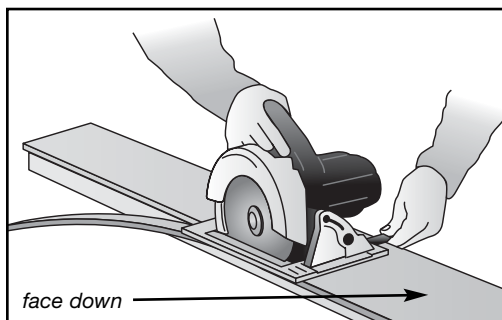
Where the siding meets the trim, leave a 1/8" gap and caulk. Be sure to reseal cut edges of fiber cement trim. Use exterior grade caulks and sealants that meet ASTM Standard C-834 or C-920 (Grade NS, Class 25). Always follow the caulk/sealant manufacturer's application instructions. Before you begin to apply caulk, carefully remove any residual fiber cement.

Wood and Vinyl Trim

Wood and vinyl trim can also be used successfully with WeatherBoards Siding. Test the trim for color compatibility with WeatherBoards Siding before you install it.

- Typically, trim is from 3" to 12" wide.
- If vinyl corners are used as trim, back-caulk the siding to minimize the possibility of water wicking into any unfinished edges of the siding.
- Where the siding meets the trim, leave a 1/8" gap and caulk.
- Caulk all joints with high-quality caulks or sealants. Use exterior grade caulks and sealants that meet ASTM Standard C-834 or C-920 (Grade NS, Class 25). Always follow the caulk/sealant manufacturer's application instructions.
- Before you begin to apply caulk, carefully remove any residual fiber cement dust from the area with a brush.

Cutting and Fastening



Cutting

When cutting WeatherBoards FiberCement Siding and Trim, support the product along its length and near the cut. Always cut fiber cement face down. For cross cuts and rips, use a circular power saw with a diamond tip blade. To avoid breaking the fiber cement, use extra care when you cut near the edge. When cutting beaded siding profile, the cut should start against the bead. Narrow and notched pieces of fiber cement can snap easily, so handle them carefully.

Fasteners

When you install fiber cement over wood sheathing, use a 6d (6-penny) nail. If the sheathing is thicker than 1", use an 8d (8-penny) nail. Nails must be non-corrosive. Either double hot-dipped galvanized or stainless steel nails are preferred. However, hot-dipped galvanized nails may be used. Nails must

always penetrate at least 1-1/4" into the studs. Please refer to ICC-ES Legacy Report NER-537 for approved nailing schedule.

Color-matched, double hot-dipped, galvanized nails and hammer caps are available for face nailing prefinished siding. Color-matched nails are available from MAZE, Hitachi.

If you use screws to fasten fiber cement siding to studs, they must be non-corrosive.

Do not use staples or D-head nails to install fiber cement siding.

To attach siding to metal studs, use either screws or pins. Use 1-5/8" long, #8-18 x 3/8" HD self-tapping, corrosion-resistant ribbed bugle head screws. Make certain that at least three screw threads penetrate the stud. Pneumatic pins must also be corrosion-resistant.

Fastening to Wood Studs

Remember: You will be fastening WeatherBoards Siding to the studs, not the sheathing. You can use either nails or screws.

While we recommend using a pneumatic nailer for speed, hand-nailing WeatherBoards is fine. Fiber cement siding is harder than wood, so be sure the nails are well set before driving them. It may be necessary to pre-drill the holes if you are hand-nailing in colder weather. The nail head must lay on the surface of the siding—do not over-drive the nails.

If you are nailing with a pneumatic nailer, use a flush mount attachment so the nails are driven to the proper depth. Adjust the pressure to field conditions, usually 80-85 psi.

If you use screws, a minimum of 3/4" must penetrate the stud.

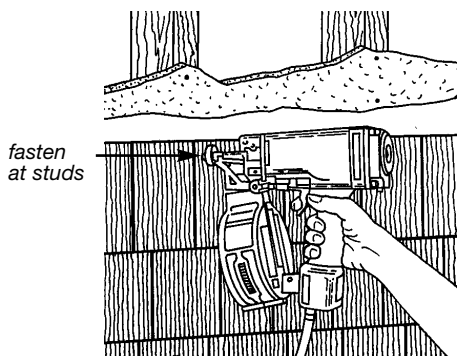
Fastening to Metal Studs

You can also hang fiber cement siding on metal studs. The studs must be a minimum 20 gauge, 3-5/8" C-studs.

For blind or face application, use 1-5/8" long, #8-18 x 3/8" HD self-tapping, corrosion-resistant ribbed bugle head screws.

Follow the earlier directions, attaching the siding at each stud. Make sure the screws penetrate at least 3 screw threads into the studs.

You may also use corrosion-resistant pneumatic pins to fasten the siding to steel studs. Consult the pin manufacturer for application instructions.



Blind Nailing

