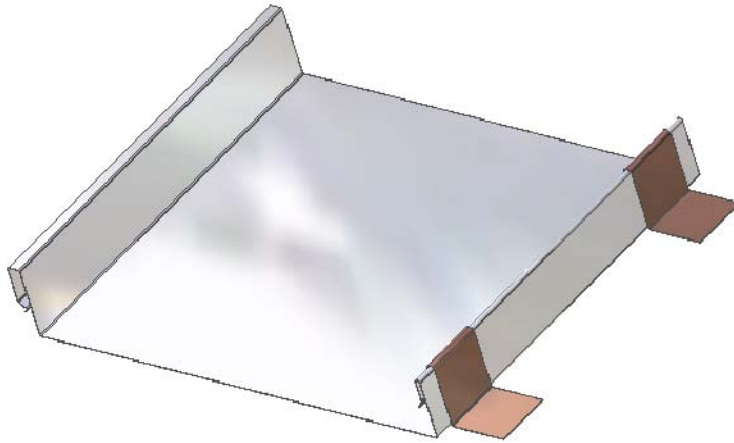
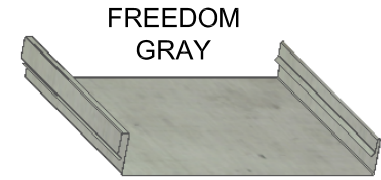


SNAP SEAM METAL ROOF PANEL



COPPER



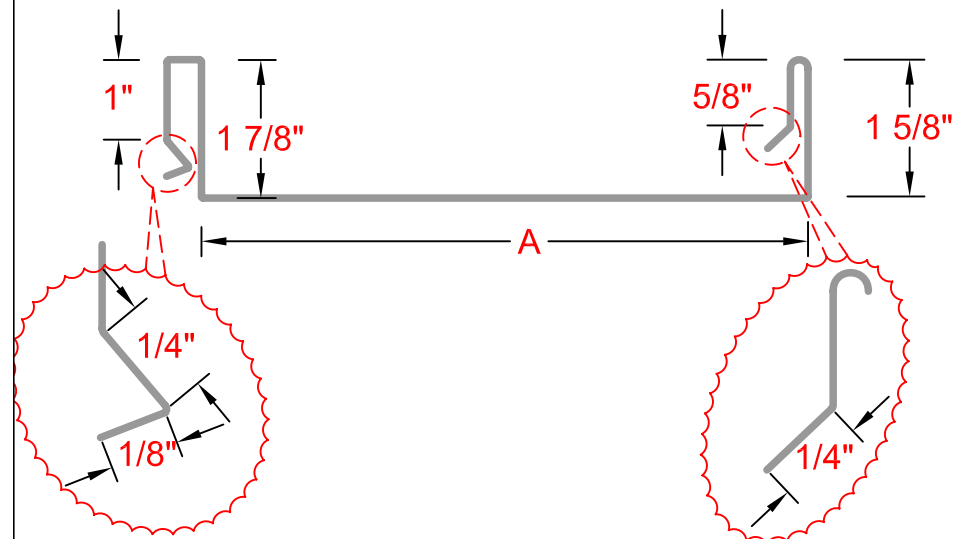
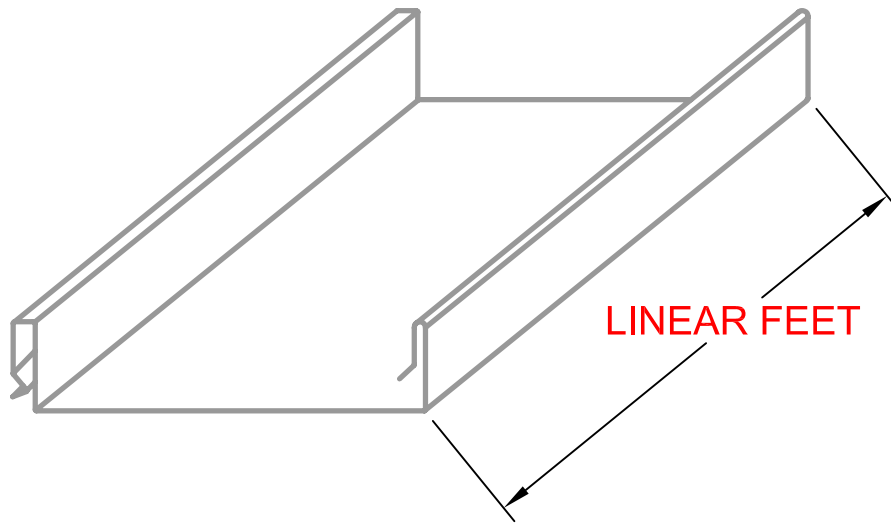
FREEDOM GRAY



LEAD COATED COPPER



MILL FINISH ALUMINUM



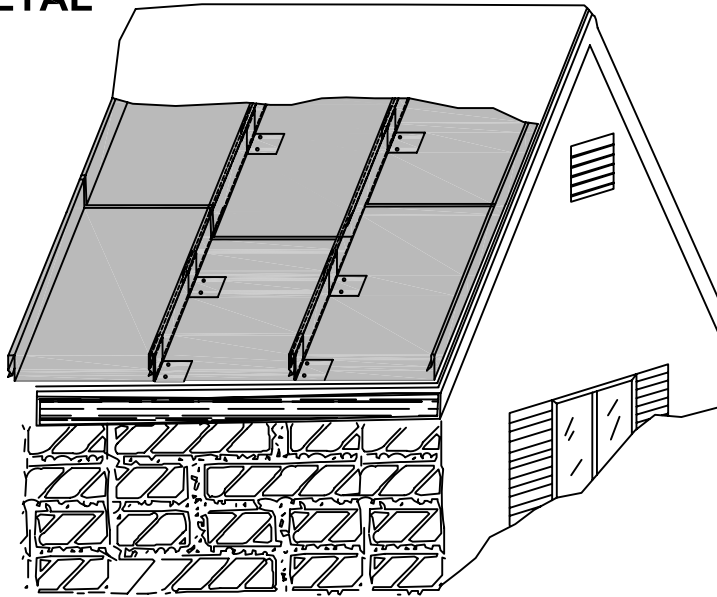
4 Generations of Experience & 100 Years of Excellence

25-40 50 TH AVE.
 LIC, NY 11101
 P 718 433 2501
 F 718 433 2709
 info@bbsheetmetal.com
 www.bbsheetmetal.com

COMPANY:		DATE:
INVOICE:	PO#:	DRAWING #: MRP-06
PROJECT:		PAGE(S): 1 OF 2
INSTALLATION INSTRUCTION:		DRAWING BY: NELSON SUT HO
OTHER:		APPROVED BY: BOBBY BASCHNAGEL

SNAP SEAM METAL ROOF PANEL

*SHOWN ON SLOPED ROOF



MATERIAL:

- | | | |
|---|------------------------------|---|
| <input type="checkbox"/> COPPER | <input type="checkbox"/> .16 | <input type="checkbox"/> .20 |
| <input type="checkbox"/> FREEDOM GRAY | <input type="checkbox"/> .16 | <input type="checkbox"/> .20 |
| <input type="checkbox"/> LEAD COATED COPPER | <input type="checkbox"/> .16 | <input type="checkbox"/> .20 |
| <input type="checkbox"/> MILL FINISH ALUMINUM | <input type="checkbox"/> .25 | <input type="checkbox"/> .32 <input type="checkbox"/> .40 |

CLEAT:

- | | | |
|-----------------------------------|---|---|
| <input type="checkbox"/> NO CLEAT |  |  |
| <input type="checkbox"/> CLEAT | QTY. <input type="checkbox"/> | <input type="checkbox"/> |

OFFICE USE ONLY

- | | |
|---------------------------------------|---|
| <input type="checkbox"/> COPPER CLEAT | <input type="checkbox"/> GALVANIZED STEEL CLEAT |
|---------------------------------------|---|

DIMENSION:

- | | | |
|--------------------------|--------------------------|-------------|
| <input type="checkbox"/> | <input type="checkbox"/> | A |
| <input type="checkbox"/> | <input type="checkbox"/> | LINEAR FEET |

QUANTITY

INFORMATION: SNAP SEAM PANELS ARE DESIGNED FOR AN EASY ASSEMBLY. THE SEAMS SNAP TOGETHER WITHOUT LOCKING TOOL(S). WE RECOMMEND USING THESE PANELS ON ROOFS WITH MINIMAL DORMERS OR CUT UP AREAS.

OTHER: CLEATS ARE DETERMINED BASED ON CHOSEN MATERIALS; COPPER OR GALVANIZED STEEL.

ONCE THE FABRICATION BEGINS, ITEMS CAN NOT BE RETURNED. THE DETAILS FOR THIS JOB WERE CHECKED AND APPROVED BY:

_____ **B & B SALES REP**

NAME: _____ SIGN: X _____ DATE: __/__/__



4 Generations of Experience & 100 Years of Excellence

25-40 50 TH AVE.
LIC, NY 11101
P 718 433 2501
F 718 433 2709
info@bbsheetmetal.com
www.bbsheetmetal.com

COMPANY:	DATE:
INVOICE: PO#:	DRAWING #: MRP-06
PROJECT:	PAGE(S): 2 OF 2
INSTALLATION INSTRUCTION:	DRAWING BY: NELSON SUT HO
OTHER:	APPROVED BY: BOBBY BASCHNAGEL