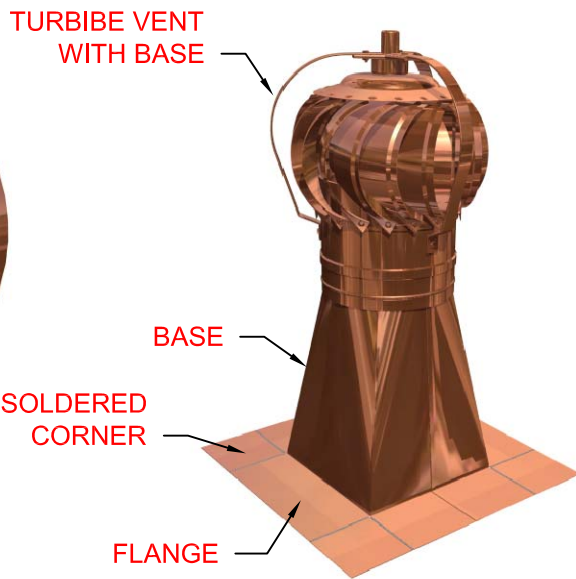


# TURBINE VENTILATOR

## STANDARD SIZE:

DIAMETER:

- 04" - 10"
- 12"
- 14" - 16"
- 18"
- 20"
- 24"
- 30"
- 36"



## MATERIAL:

- [ ] COPPER 16 OZ
- [ ] STAINLESS STEEL 26 OZ
- [ ] GALVANIZED STEEL 26 OZ

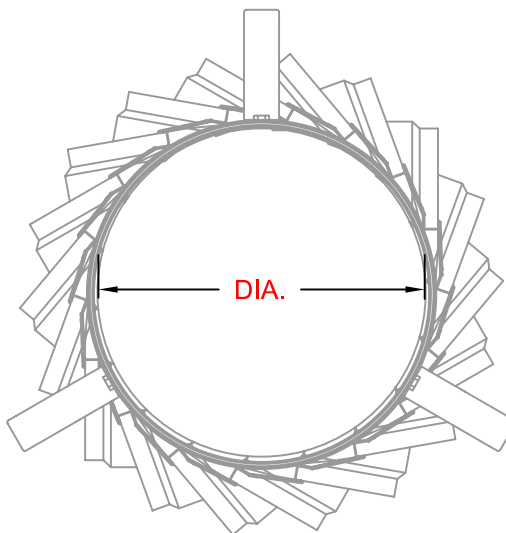
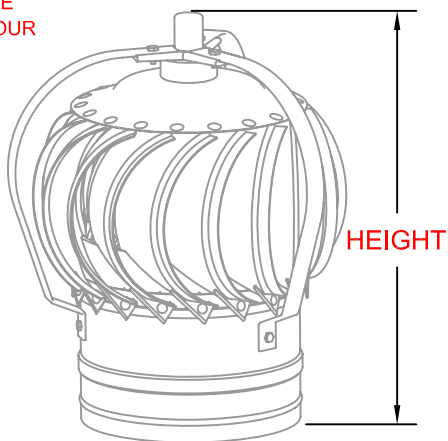
## DIMENSION:

- [ ] HEIGHT
- [ ] DIAMETER

QUANTITY [ ]

### \*NOTE:

THE HEIGHT OF THIS VENTILATOR CAN BE CUSTOMIZED TO YOUR DIMENSIONS



ONCE THE FABRICATION BEGINS, ITEMS CAN NOT BE RETURNED. THE DETAILS FOR THIS JOB WERE CHECKED AND APPROVED BY: \_\_\_\_\_

B & B SALES REP

NAME: \_\_\_\_\_ SIGN: X \_\_\_\_\_

DATE: \_\_/\_\_/\_\_



4 Generations of Experience & 100 Years of Excellence

25-40 50 TH AVE.  
 LIC, NY 11101  
 P 718 433 2501  
 F 718 433 2709  
 info@bbsheetmetal.com  
 www.bbsheetmetal.com

COMPANY:	DATE:
INVOICE:	DRAWING #: FRV05
PROJECT:	PAGE(S): 1 OF 1
INSTALLATION INSTRUCTION:	DRAWING BY: NELSON SUT HO
OTHER:	APPROVED BY: CHRIS PERO