

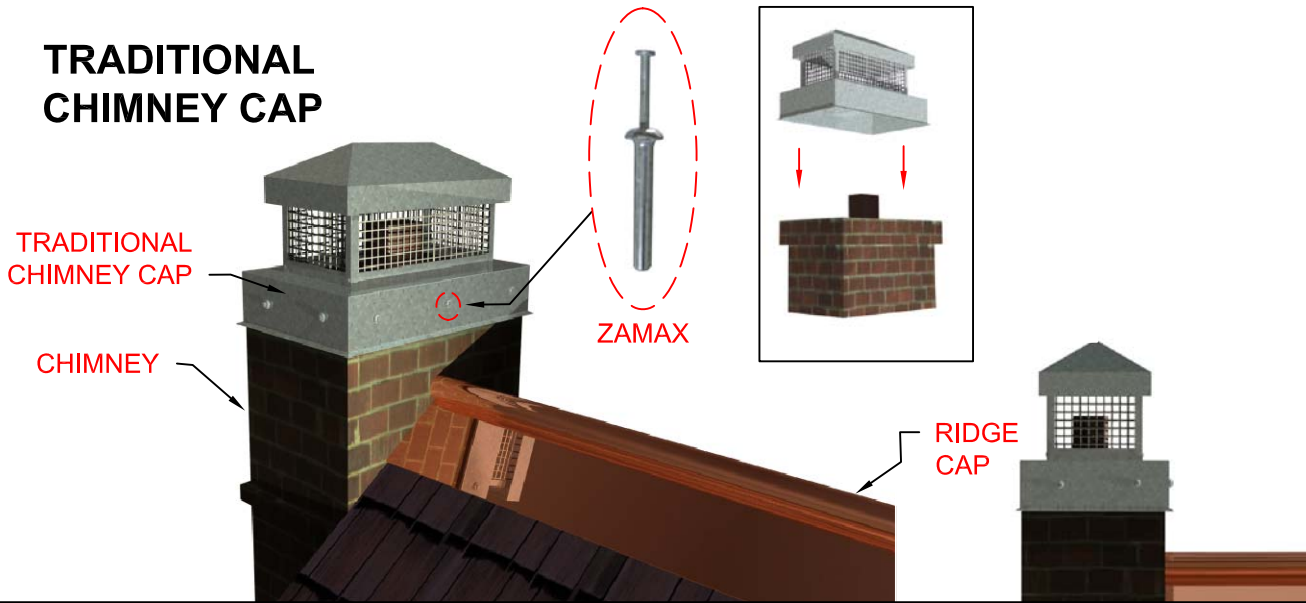
TRADITIONAL CHIMNEY CAP

TRADITIONAL CHIMNEY CAP

CHIMNEY

ZAMAX

RIDGE CAP



MATERIAL:

- [] COPPER []16 []20
- [] FREEDOM GRAY []16 []20
- [] LEAD COATED COPPER []16 []20
- [] EVERGREEN COPPER []16 []20
- [] GALVANIZED STEEL []24 []26
- [] TERNE COATED STAINLESS STEEL **26**

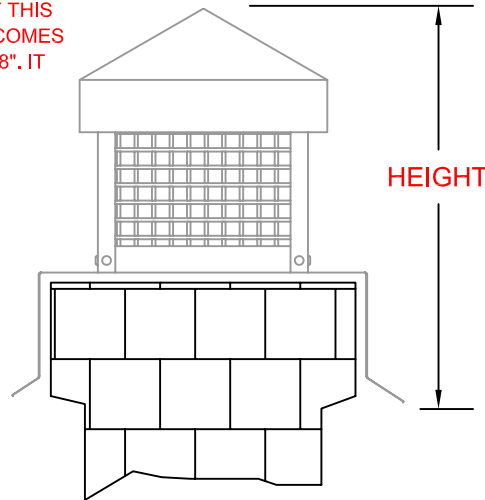
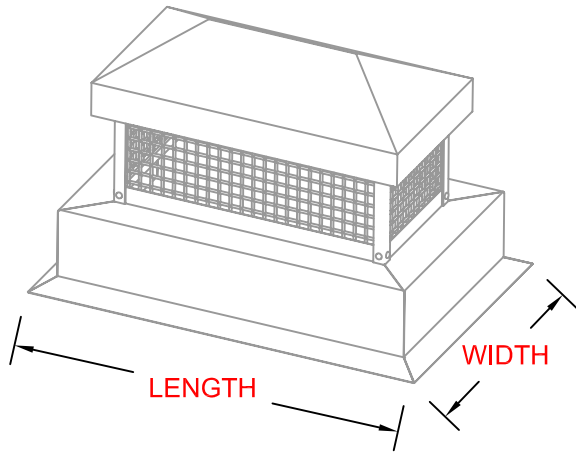
DIMENSION:

- [] LENGTH
- [] WIDTH
- [] HEIGHT

QUANTITY []

*NOTE:

THE HEIGHT OF THIS CHIMNEY CAP COMES IN STANDARD 18". IT ALSO CAN BE CUSTOMIZED.



ONCE THE FABRICATION BEGINS, ITEMS CAN NOT BE RETURNED. THE DETAILS FOR THIS JOB WERE CHECKED AND APPROVED BY: _____

B & B SALES REP

NAME: _____ SIGN: X _____

DATE: __/__/__



25-40 50 TH AVE.
LIC, NY 11101
P 718 433 2501
F 718 433 2709
info@bbsheetmetal.com
www.bbsheetmetal.com

COMPANY:

DATE:

INVOICE:

PO#:

DRAWING #:

CHCAP-12

PROJECT:

PAGE(S):

1 OF 1

INSTALLATION INSTRUCTION:

DRAWING BY:

NELSON SUT HO

OTHER:

APPROVED BY:

CHRIS PERO