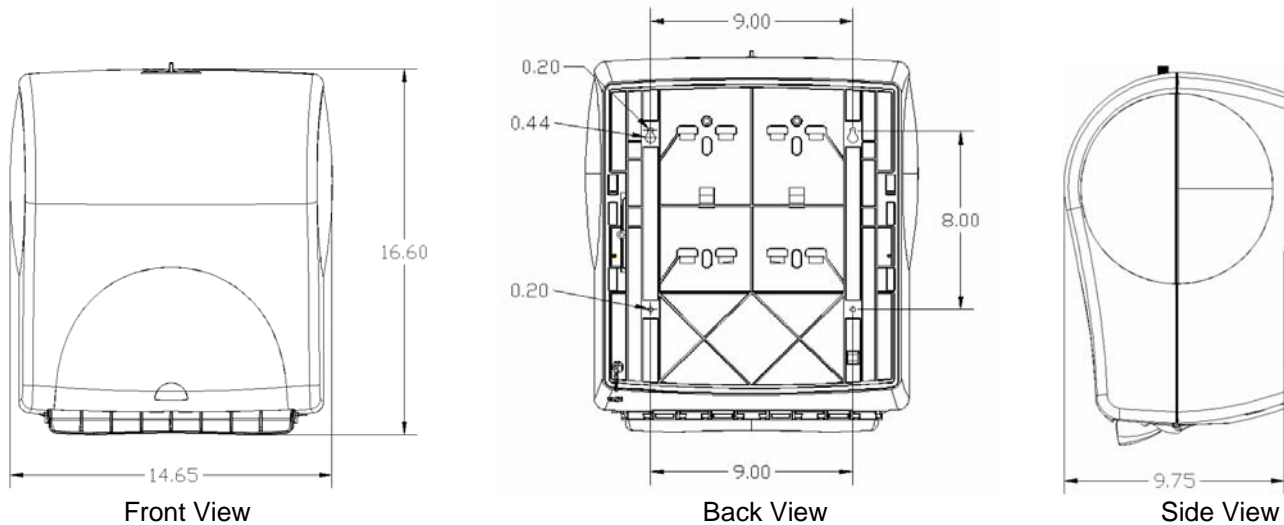


enMotion® Wall Mount Automated Touchless Towel Dispenser



SPECIFICATIONS

The enMotion® automated towel dispenser holds and dispenses a proprietary hard-wound roll towel (Item # 89460 & #89490). There is a stub roll feature that allows a new roll to be placed in the dispenser but uses the remainder of the current roll before starting the new roll. The dispenser is constructed of high strength, low maintenance polymer materials.

Weight:

7.8 Pounds (without batteries or paper installed)

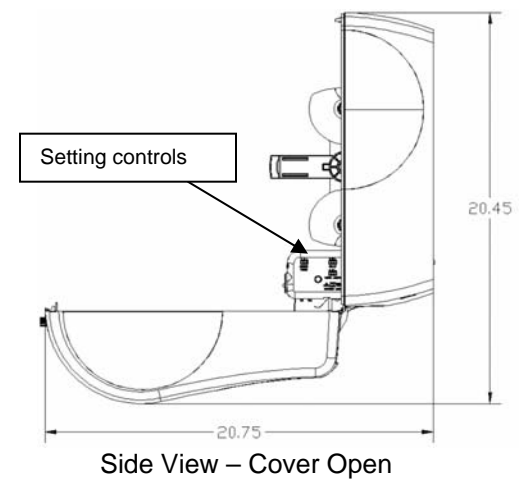
Dimensions:

16.60" H x 14.65" W x 9.75" D

INSTALLATION

Complete installation instructions and templates are included with each dispenser. The preferred method of mounting the dispenser requires the use of two mounting brackets (part # 54019), available separately. There are several screw holes located on the back side of the dispenser to allow installation without the use of mounting brackets. Mount the dispenser 44 – 48 inches from the floor. Keep a minimum of 2 inches of spacing on both sides of the unit. Allow a minimum of 10 inches below the bottom of the dispenser for dispensing of towel.

The specification sheet and description herein are to serve as a guide. Georgia-Pacific reserves the right and does from time to time make changes and improvements in design, dimensions, and subsequent installation instructions. Georgia-Pacific does not take responsibility for any damage, or injury to persons or property or any other incidental or consequential losses due to these installation instructions.



OPERATION

The dispenser has two dispensing modes; an on-demand mode, where a new sheet is presented when a hand is waved in front of the sensor, and a hanging towel mode, where a new towel is dispensed automatically after each towel is removed from the dispenser. In either mode, only one towel is dispensed at a time. A second towel cannot be dispensed until the first towel is removed from the dispenser. There are controls to that allow the paper length, delay between dispenses, and sensor range to be adjusted. The length can be adjusted from 8, 12, or 16 inch paper settings. The delay between dispenses can be adjusted from 1, 2, or 3 second delay between dispenses. The sensor range can be adjusted so that the dispenser is activated when a hand is waved within 1, 2, or 3 inches from the sensor. The enMotion® automated towel dispenser runs on 4 D cell alkaline batteries (included).

For questions or comments, please call
1-866-HELLO GP (435-5647)