

SKU # 56743,56744,56745

Loading Instructions

- ①

mandrels

1. Open dispenser and remove mandrels
- ②

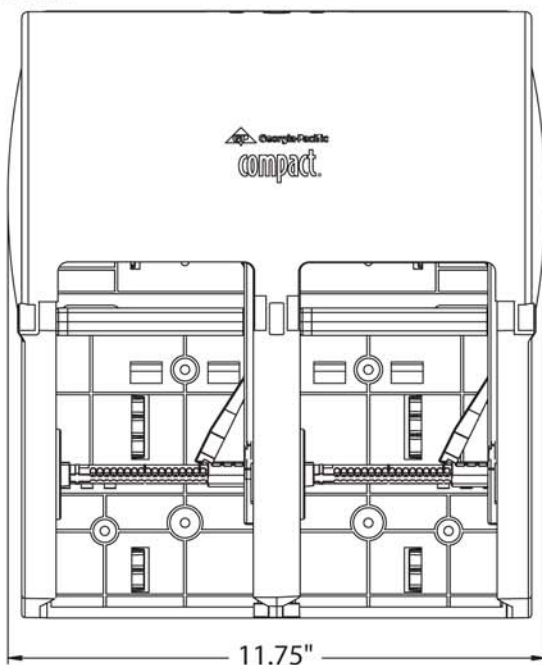
arm

2. Rotate arm
- ③

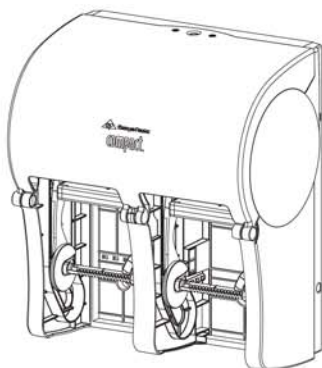
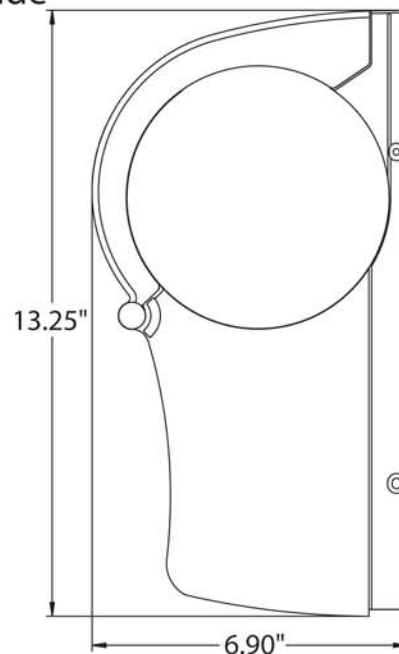
3. Replace rolls and rotate arm to original position
- ④

4. Return mandrel to dispenser, align mandrel with side rails

front



side

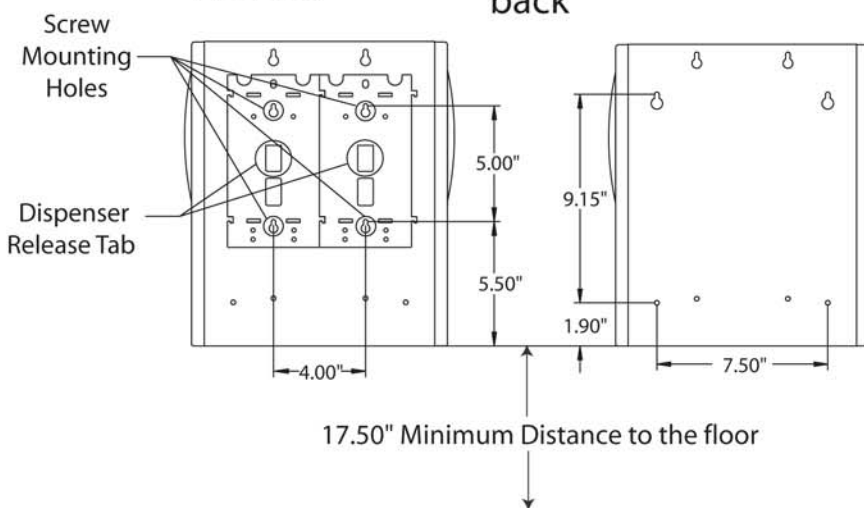


Dispenser Mounting

Using 54019 Mounting Bracket
(sold separately)

Wall Mounting without Bracket

back



Overall Dimensions:

Dispenser: 11.75" W x 13.25" H x 6.9" D

Overall Weight:

Dispenser: 4.1 lbs (1.9kg)

Capacity: 4 rolls of Compact® coreless bath tissue.

Specifications:

The cover is constructed of Acrylic plastic, the housing is constructed of ABS plastic. The interior components are constructed of Acetal plastic.

For questions or comments, please call
1-866-HELLO GP (435-5647)