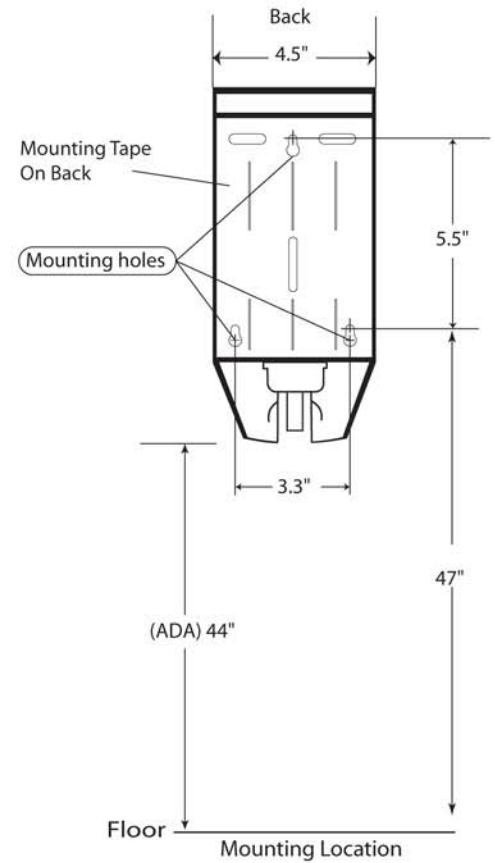
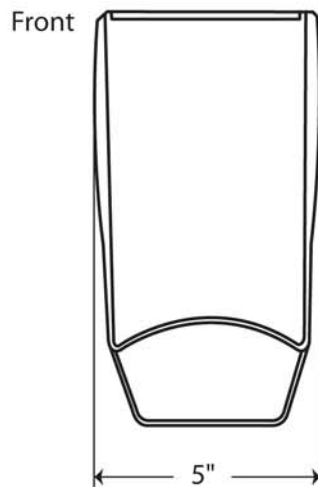
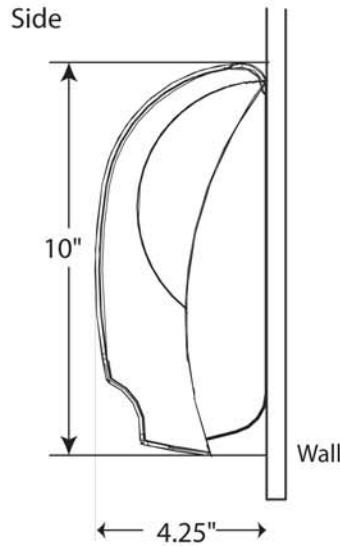
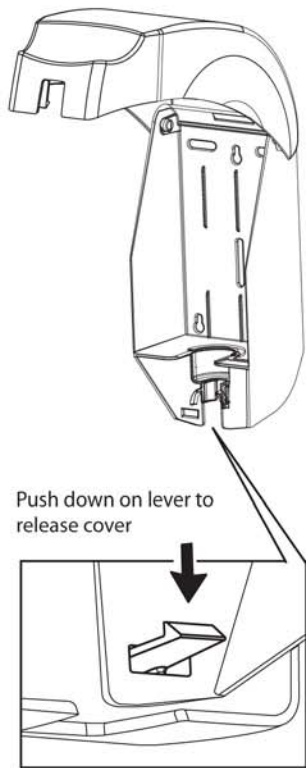




SKU # : 53252 , 53253 , 53254



Pacific Garden™ Soap Dispenser specification and mounting sheet



Overall Dimensions:
 Dispenser: 5" W x 10" H x 4.25" D

Overall Weight:
 Dispenser: 0.790 lbs (0.4kg)

Capacity:
 1200 ml of Pacific Garden hand care products.

Specifications:

For SKU # 53252 & 53253, the cover of the dispenser is constructed of high impact acrylic. For SKU # 53254, the cover of the dispenser is constructed of ABS with a decorative metal applique on the front surface. The back housing of the dispenser is constructed of polycarbonate.

Mounting:

Position dispenser so the bottom is at most 44" from the floor. Remove backing from the adhesive tape and apply firm pressure. Screws can also be installed if additional support is required.

For questions or comments, please call
1-866-HELLO GP (435-5647)