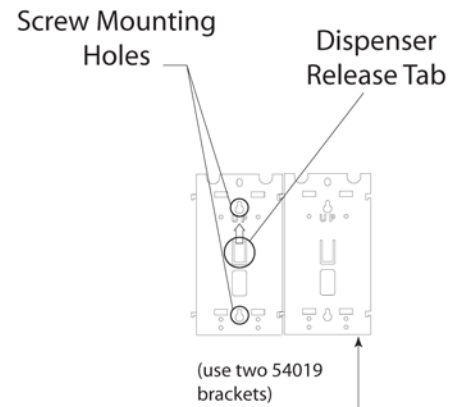
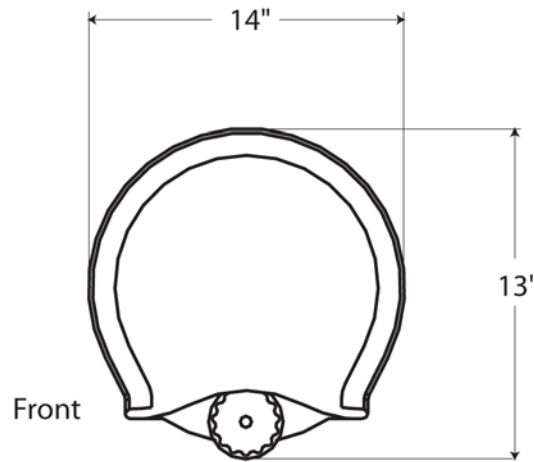
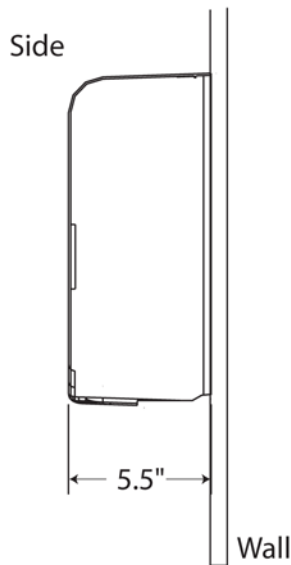
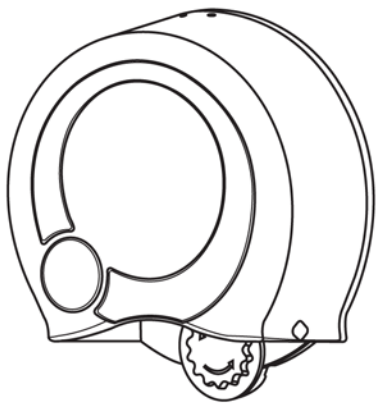


Compact® High Capacity Tissue Dispenser Mounting Instructions



Overall Dimensions:

Dispenser: 14" W x 13" H x 5.5" D

Overall Weight:

Dispenser: 3.9 lbs (1.8kg)

Capacity: 4 rolls of Compact® 2-ply coreless bath tissue. SKU # 19375

Specifications:

The cover of the dispenser is constructed of high impact acrylic. The back housing of the dispenser is constructed of ABS.

For questions or comments, please call
1-866-HELLO GP (435-5647)