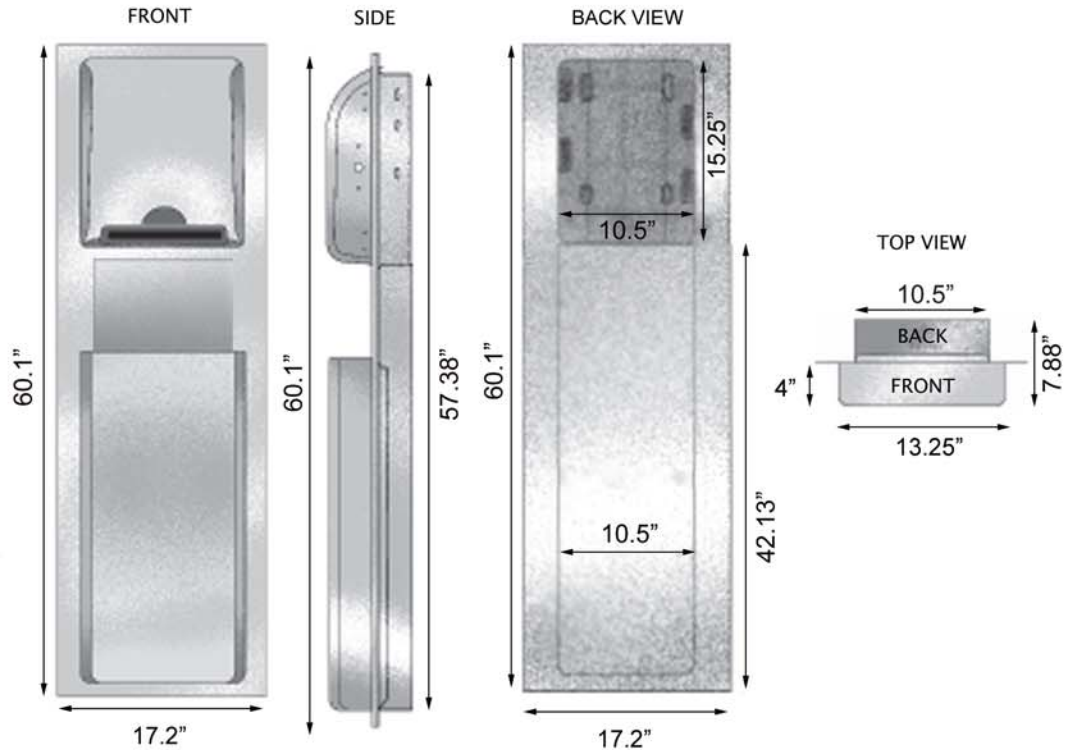


enMotion® Recessed Automated Towel Dispenser and Trash Receptacle



Partition Cut-Out Required
is 11" W x 57.5" H x 4" D or
(279mm W x 1460 H x 101.6 D)

The installation description and illustrations herein are to serve as a guide. Georgia-Pacific reserves the right and does from time to time make changes and improvements in design, dimensions and subsequent installation instructions. Georgia-Pacific does not take responsibility for any damage, or injury to persons or property or any other incidental or consequential losses due to these installation instructions.

Georgia-Pacific recommends using a professional installation service.

June 26, 2006

SPECIFICATIONS

The enMotion® Recessed Automated Towel Dispenser and Trash Receptacle holds and dispenses proprietary hand-wound roll towels and includes a waste receptacle, all within a unitary self-contained package. The unit is semi-recessed, with an integral one-piece beveled outer frame, providing a pleasing secure to the wall appearance. The dispenser mounts easily and naturally into this unit for a "Perfect Fit."

The trash receptacle unit is constructed entirely from 20 gauge, type-304 stainless steel with a brushed satin finish. All exposed edges are hemmed and corners rounded to ensure a smooth finish for consumer use.

The exposed main front panel is of a one-piece construction providing a unitary clean appearance. The waste receptacle is secured in place, and accessed by, a hinged door with generous contoured corners for a pleasing appearance. The waste receptacle itself is a one-piece heavy-duty container, providing a sturdy, yet light weight and easy to handle container for the maintenance personnel. Minimum capacity is 8.5 gallons. The swing-out access door is attached with a concealed full-length piano hinge, and secured with a locking mechanism.

Installation instructions as well as parts and service manuals are included.

enMotion® is a registered trademark of Georgia-Pacific Corporation ©2005, Georgia-Pacific Corporation. All rights reserved.

INSTALLATION

When mounted directly into a wall, the unit is mounted using #10 self-tapping screws. Many possible methods can be used to mount the trash receptacle, given the wide variety of stud configurations behind the wall. The enMotion® Recessed dispenser and trash receptacle have mounting holes on both sides of the backplate and directly in the rear of the unit. The unit must be mounted flush to the wall, 4" recessed to comply with ADA guidelines.

OPERATION

The enMotion® Recessed dispenser runs on 4 D Cell Alkaline batteries (included). The dispenser features 3 LEDs, including a low paper indicator, a motor/sensor activation light and a low battery light. It has 2 dispensing modes: an on-demand mode, where a new sheet is presented when a hand is waved in front of the sensor, and a hanging-towel mode, where a new towel is presented as soon as the exposed towel is removed. The enMotion® Recessed Automated Towel dispenser also features adjustable settings for paper length, sensor range, and sheet delay. For more details, see the enMotion® Recessed Automated Towel dispenser instruction manual included with the unit.