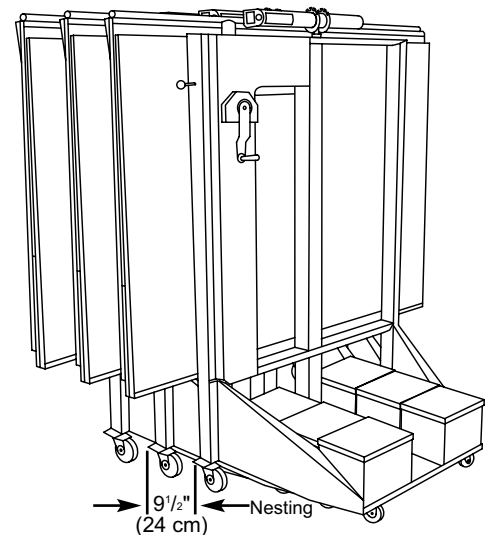
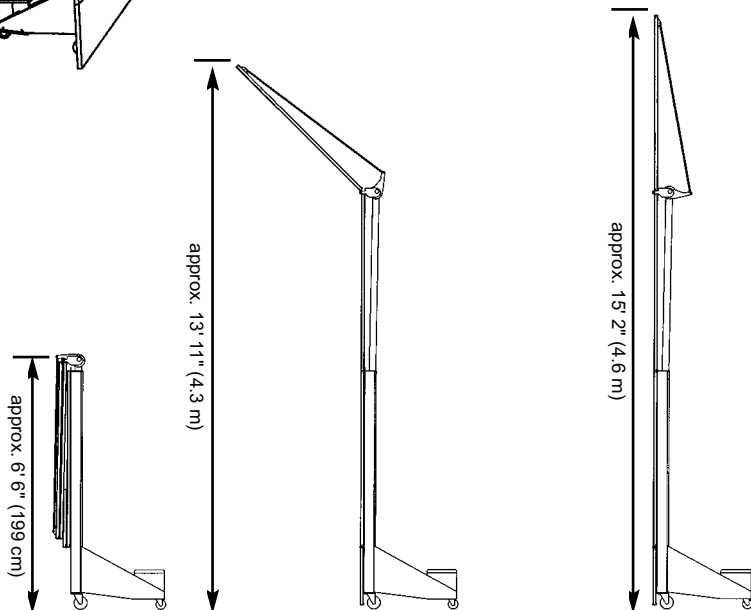
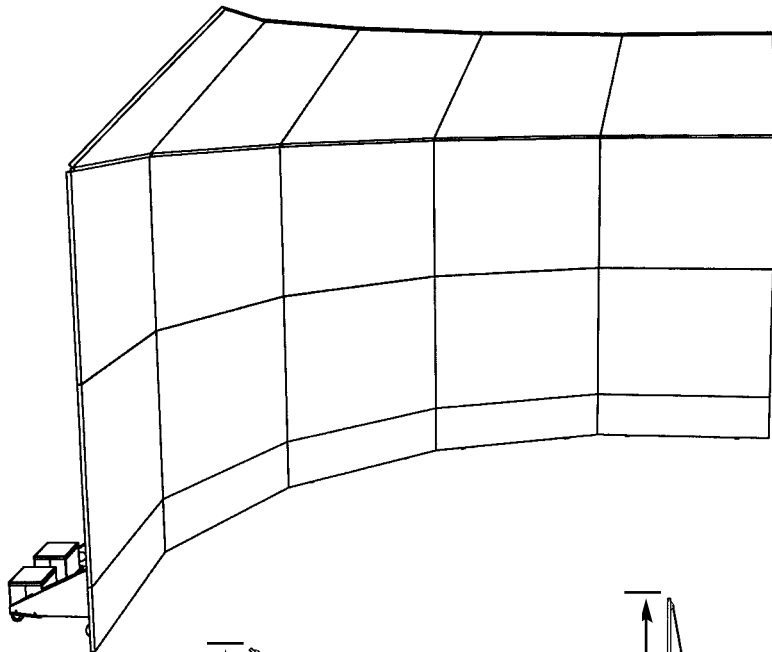
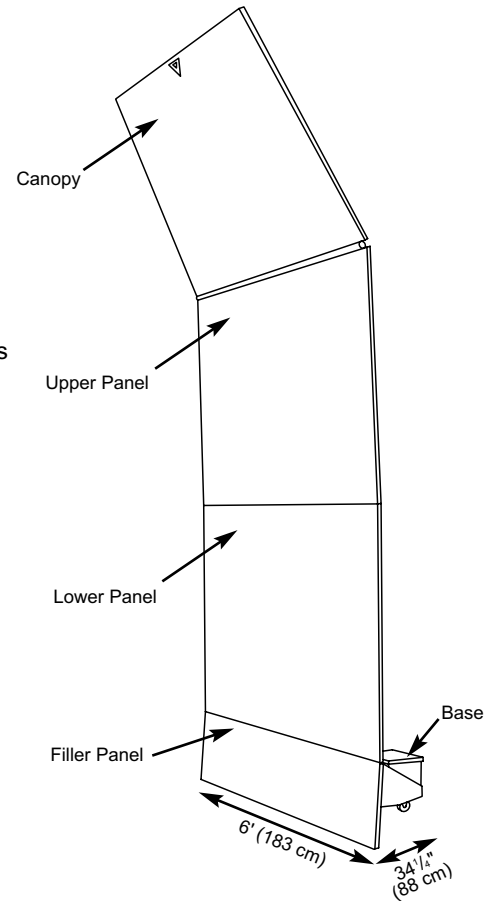


Legacy[®] Acoustical Shell

- Tapered Canopy: 186A300.
- Rectangular Canopy: 186A301.
- Canopy Tool: 186A302.
- Instructions for set up located on back of shell.
- Built in swivel casters allow for easy movement.
- Safe one person operation with turn handle and canopy tool.
- Only 6 turns of the handle are required to raise the shell to its performance position.
- Multiple canopy angles allow flexibility in set up (45, 60, 75, 90 degrees).
- In storage position shells can be rolled through a standard doorway.
- Shells nest compactly.
- Panel color is a neutral Oyster that allows the shell to be placed almost anywhere.
- Base and frame are constructed of durable steel and aluminum.
- Panels are a composite type consisting of a honeycomb core providing a stiff acoustically reflective surface.
- Panel edges consist of a sleek and attractive aluminum extrusion with rounded corners for added safety.
- The counterweight assembly is located on the backside of the unit to eliminate trip hazards for the performers, allowing for a clean front surface.
- Five year warranty.



Easy Set-Up Instructions

General Setup includes:

1. Roll Legacy Shell into place.

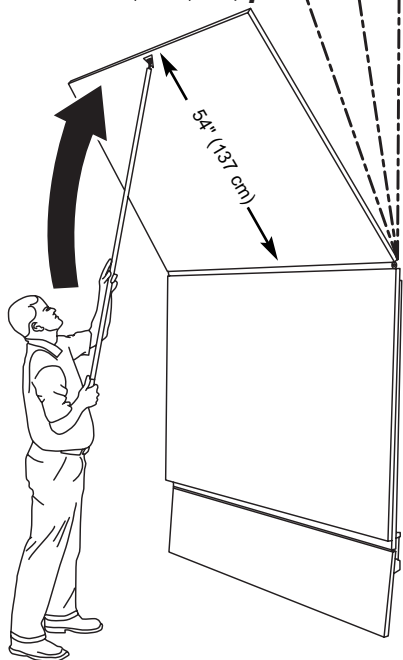


3. Raise the shell.



2. Raise the canopy.

90°=0" (0 cm) Deep
 75°=14" (36 cm) Deep
 60°=27" (69 cm) Deep
 45°=38.5" (98 cm) Deep



Legacy Shell Data:

Height Canopy at 45 degrees	.13' 11" (424 cm)
Max Height	.15' 2" (462 cm)
Storage Height	.6' 6" (198 cm)
Width	.6' 0" (183 cm)
Storage Depth	.34 1/4" (87 cm)
Nesting Depth	.9 1/2" (24 cm)
Canopy Depth	.38" (97 cm)
Panel Weight (approx.)	.1.3 lbs. (0.59 kg)
	per square foot
Unit Weight	.427 lbs. (194 kg)



WENGER CORPORATION
 555 Park Drive, PO Box 448
 Owatonna, MN 55060-0448
 Phone 800.4WENGER
 Fax 507.455.4258
 Customer Service 800.887.7145

CANADA
 (Dufferin Liberty Center)
 219 Dufferin, Suite 117C
 Toronto, Ontario M6K 3J1
 Phone 800.268.0148
 Fax 416.754.3996

EUROPE
 Tel +31 26 376 0500
 wenger-europe.com

BEIJING REPRESENTATIVE
OFFICE OF WENGER
 Tel 0086-10-84972502
 Fax 0086-10-84972575

WORLDWIDE
 Phone 507.455.4100
 Fax 507.444.0685

WEB SITE
 wengercorp.com