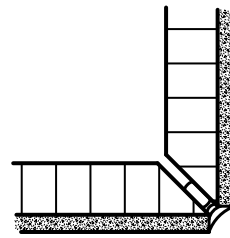


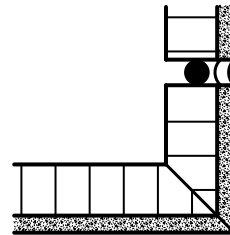
Wall Section

Clicking on the number in the **red circle**, will take you to individual details in the **red box**.

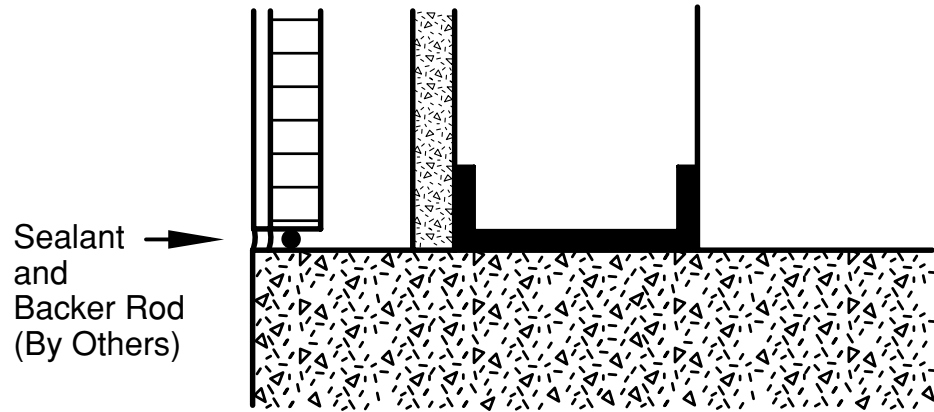
To see more detail, use the zoom in tool in the menu.



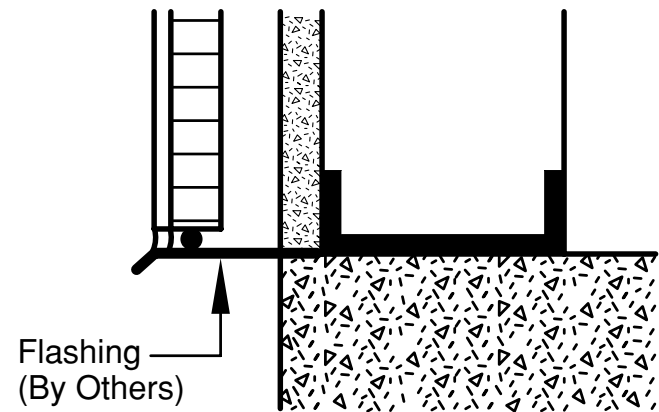
Quirk Miter Corner



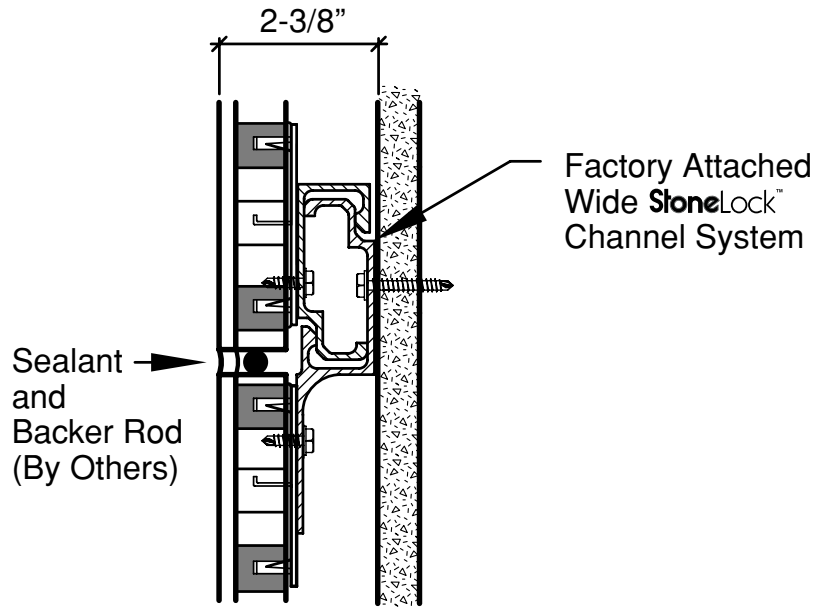
Finished Return & Caulk Joint



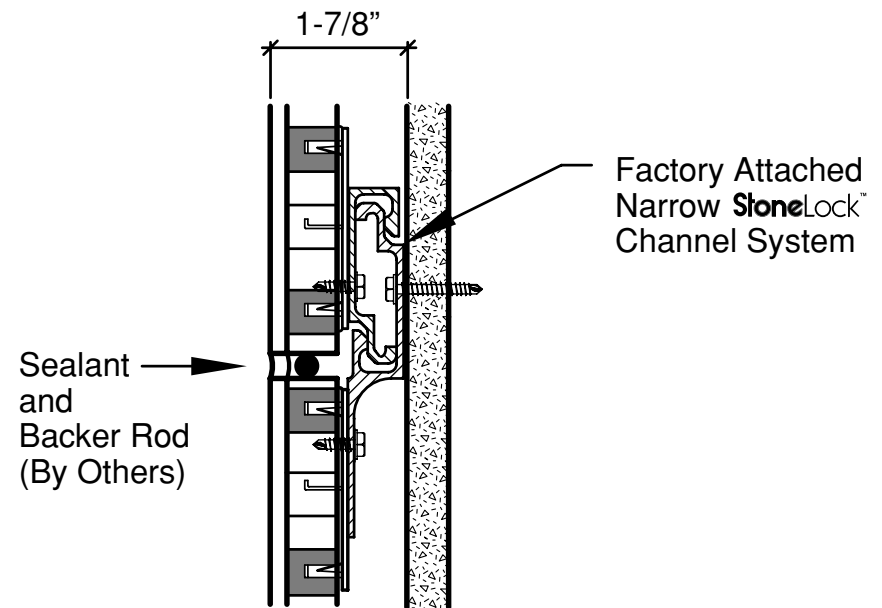
**1A** Base Detail



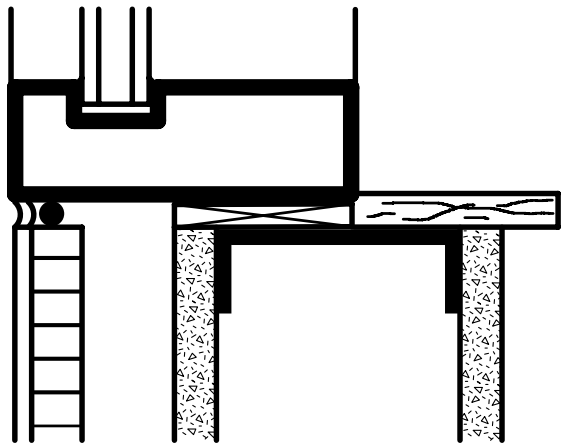
**1B** Base Detail



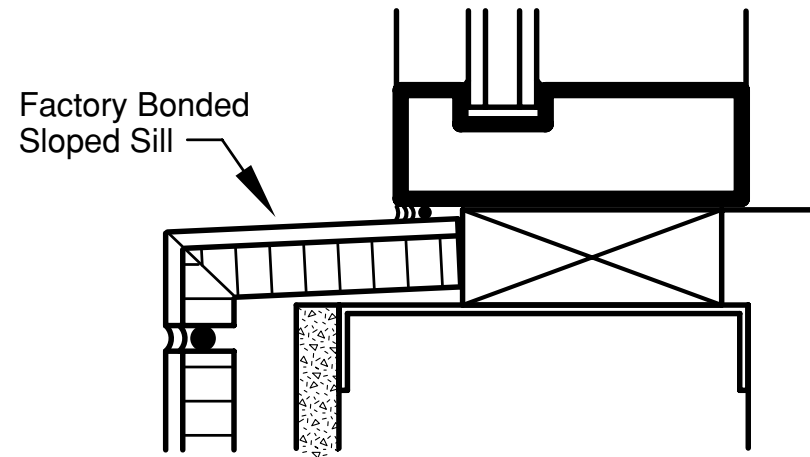
**2A** Wide StoneLock™ Channel System



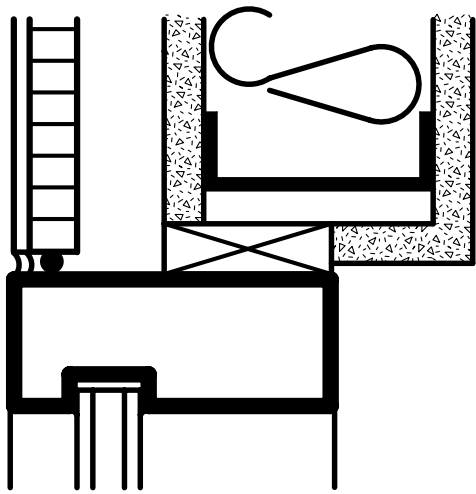
**2B** Narrow StoneLock™ Channel System



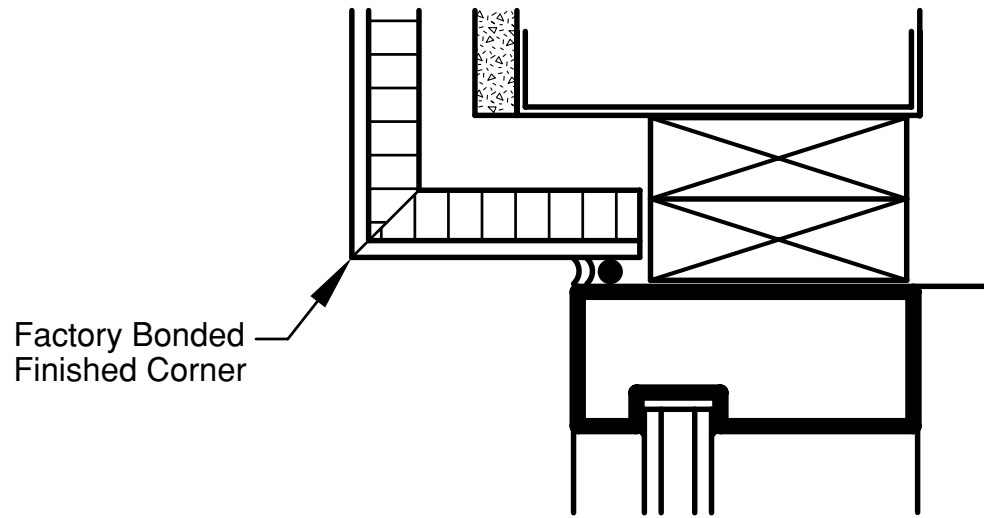
**3A** Window Sill - Flush



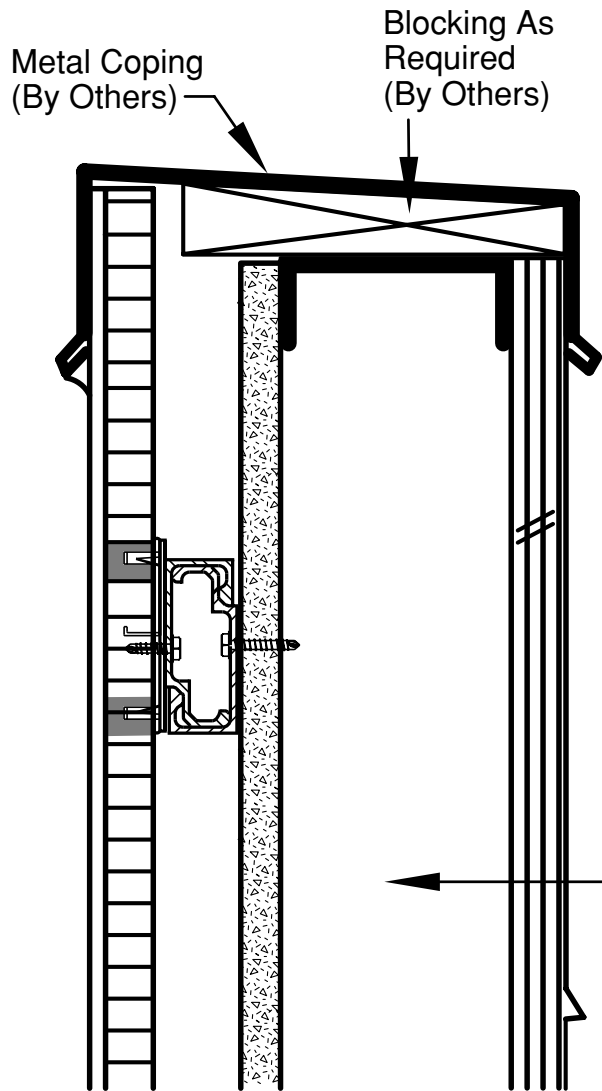
**3B** Window Sill - Recessed



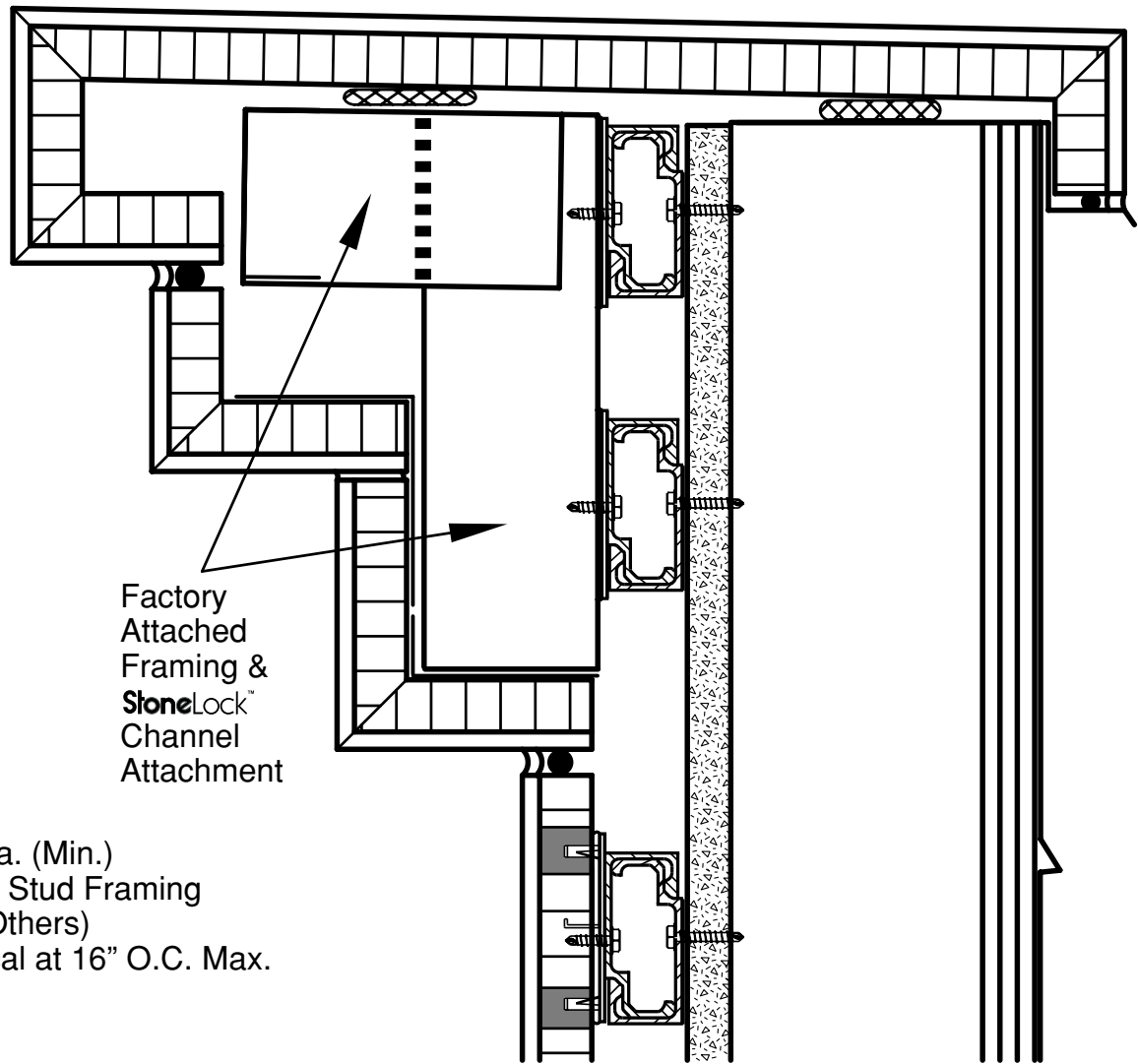
**4A** Window Head - Flush



**4B** Window Head - Recessed



**5A** Metal Coping Detail



**5B** Stone Panel Cornice